



Chipsmall Limited consists of a professional team with an average of over 10 year of expertise in the distribution of electronic components. Based in Hongkong, we have already established firm and mutual-benefit business relationships with customers from,Europe,America and south Asia,supplying obsolete and hard-to-find components to meet their specific needs.

With the principle of “Quality Parts,Customers Priority,Honest Operation,and Considerate Service”,our business mainly focus on the distribution of electronic components. Line cards we deal with include Microchip,ALPS,ROHM,Xilinx,Pulse,ON,Everlight and Freescale. Main products comprise IC,Modules,Potentiometer,IC Socket,Relay,Connector.Our parts cover such applications as commercial,industrial, and automotives areas.

We are looking forward to setting up business relationship with you and hope to provide you with the best service and solution. Let us make a better world for our industry!



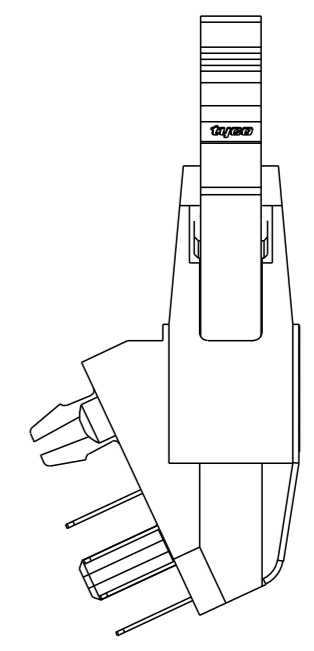
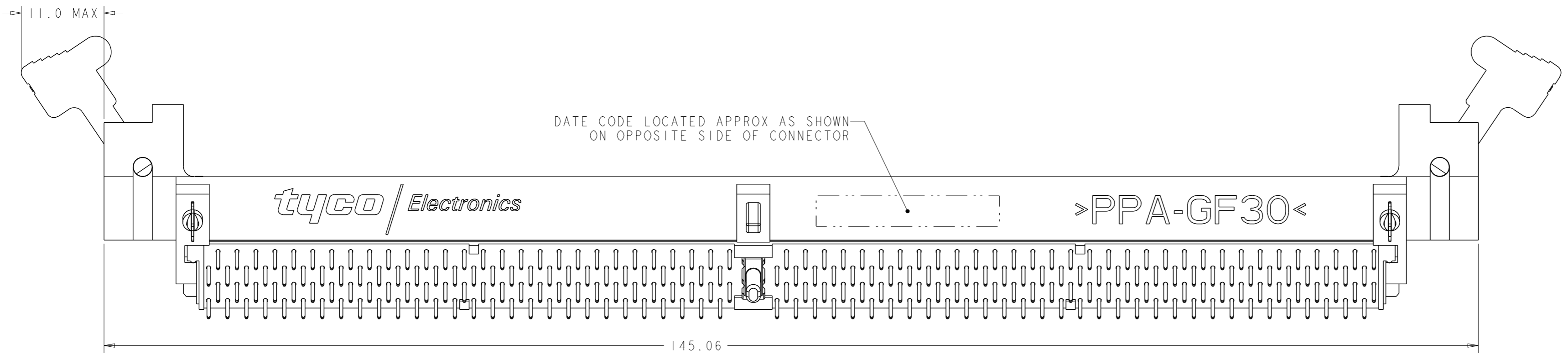
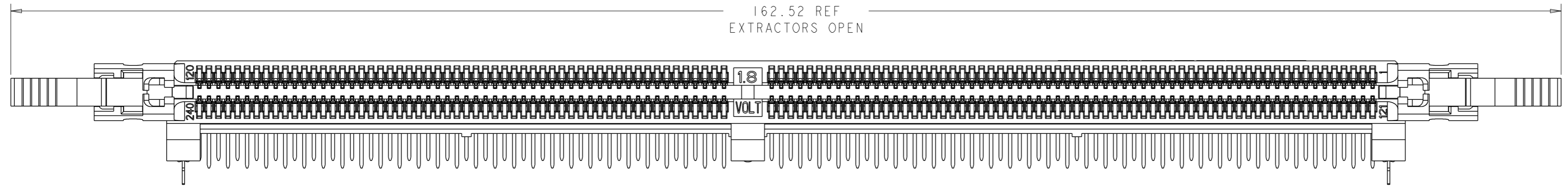
## Contact us

Tel: +86-755-8981 8866 Fax: +86-755-8427 6832

Email & Skype: info@chipsmall.com Web: www.chipsmall.com

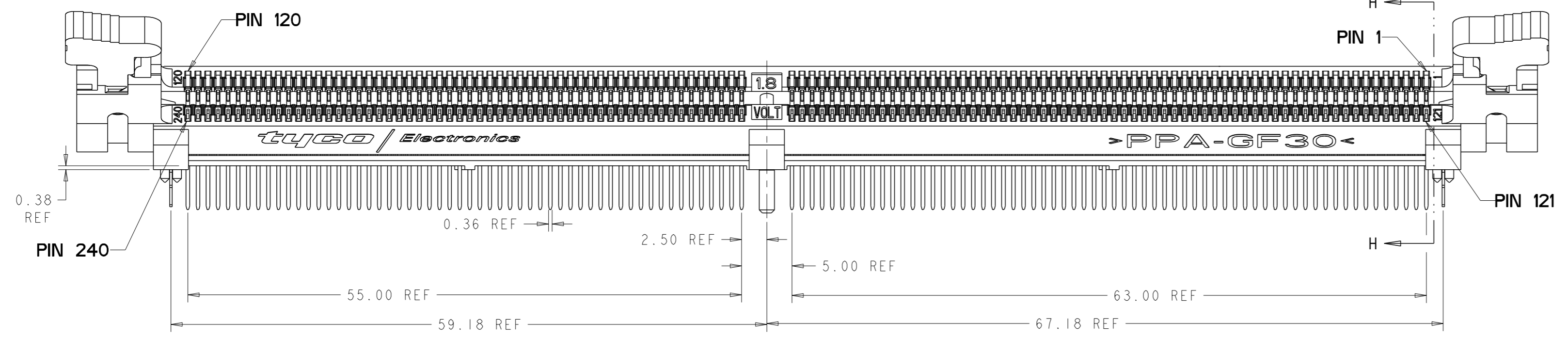
Address: A1208, Overseas Decoration Building, #122 Zhenhua RD., Futian, Shenzhen, China





TAIL LENGTHS

- 2.67±0.25 FOR 1.60 (.063") THK PCB
- 3.18±0.25 FOR 2.36 (.093") THK PCB
- 4.00±0.25 FOR 3.18 (.125") THK PCB



1 MATERIALS:  
 HOUSING: HIGH TEMPERATURE THERMOPLASTIC, UL94 V-0  
 EXTRACTOR: HIGH TEMPERATURE THERMOPLASTIC  
 CONTACTS: COPPER ALLOY  
 RETENTION BARB: COPPER ALLOY

6 DATUM -F- IS CONNECTOR SIDE SURFACE OF PCB.  
 7 PORE BLOCKER APPLIED TO CONTACT INTERFACE.

2 INTERFACE FINISH:  
 0.00076 MIN THK GOLD OVER 0.00127 MIN THK NICKEL.  
 0.00038 MIN THK GOLD OVER 0.00127 MIN THK NICKEL.

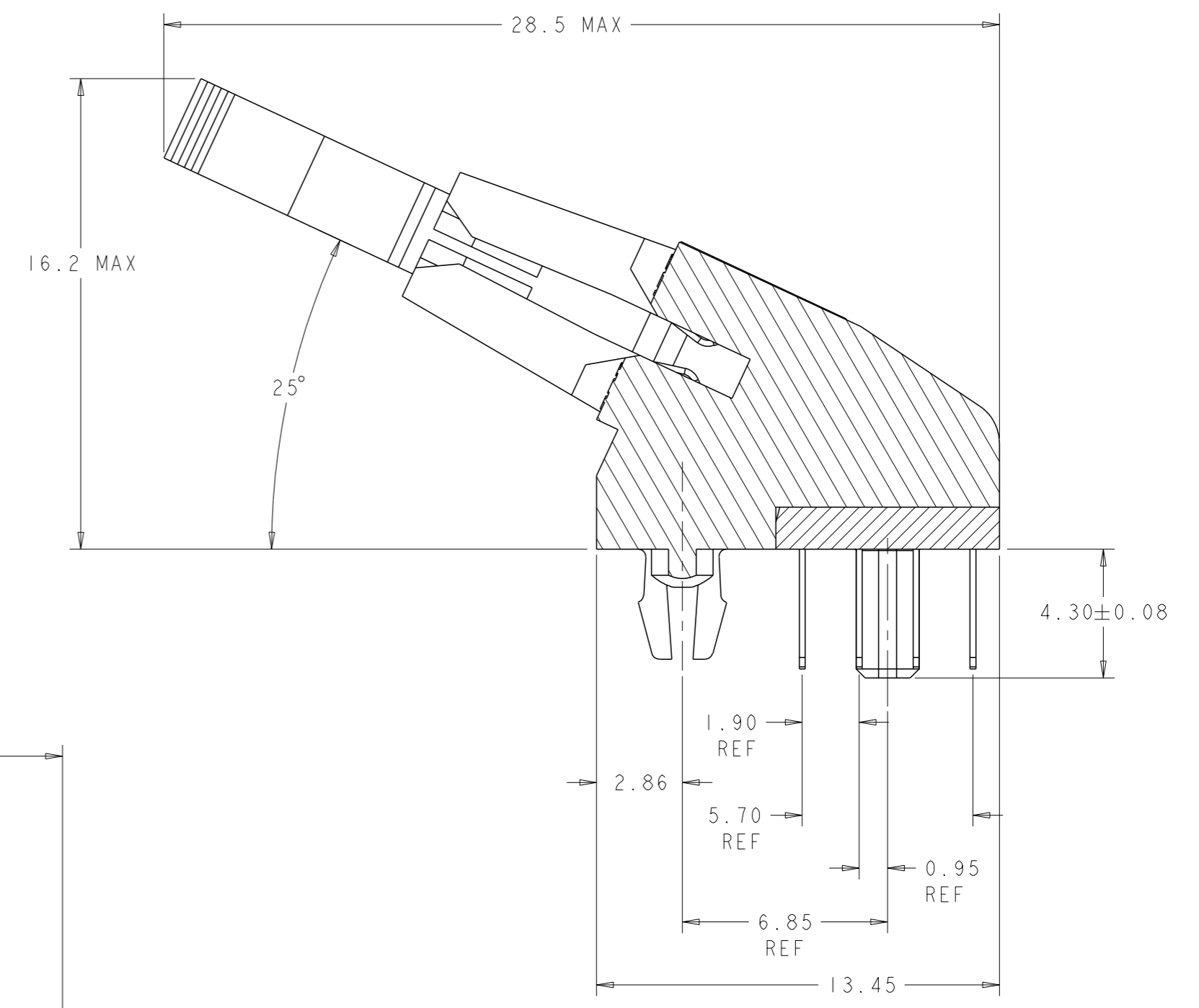
3 SOLDER TAIL FINISH:  
 0.00300 MIN THK MATTE LEAD FREE PLATING OVER 0.00127 MIN THK NICKEL.

4 RIGHT HOLE IS GLOBAL D-E ORIGIN FOR ALL POSITIONAL TOLERANCES.  
 LEFT AND RIGHT NON-PLATED THRU HOLES ESTABLISH -E-.

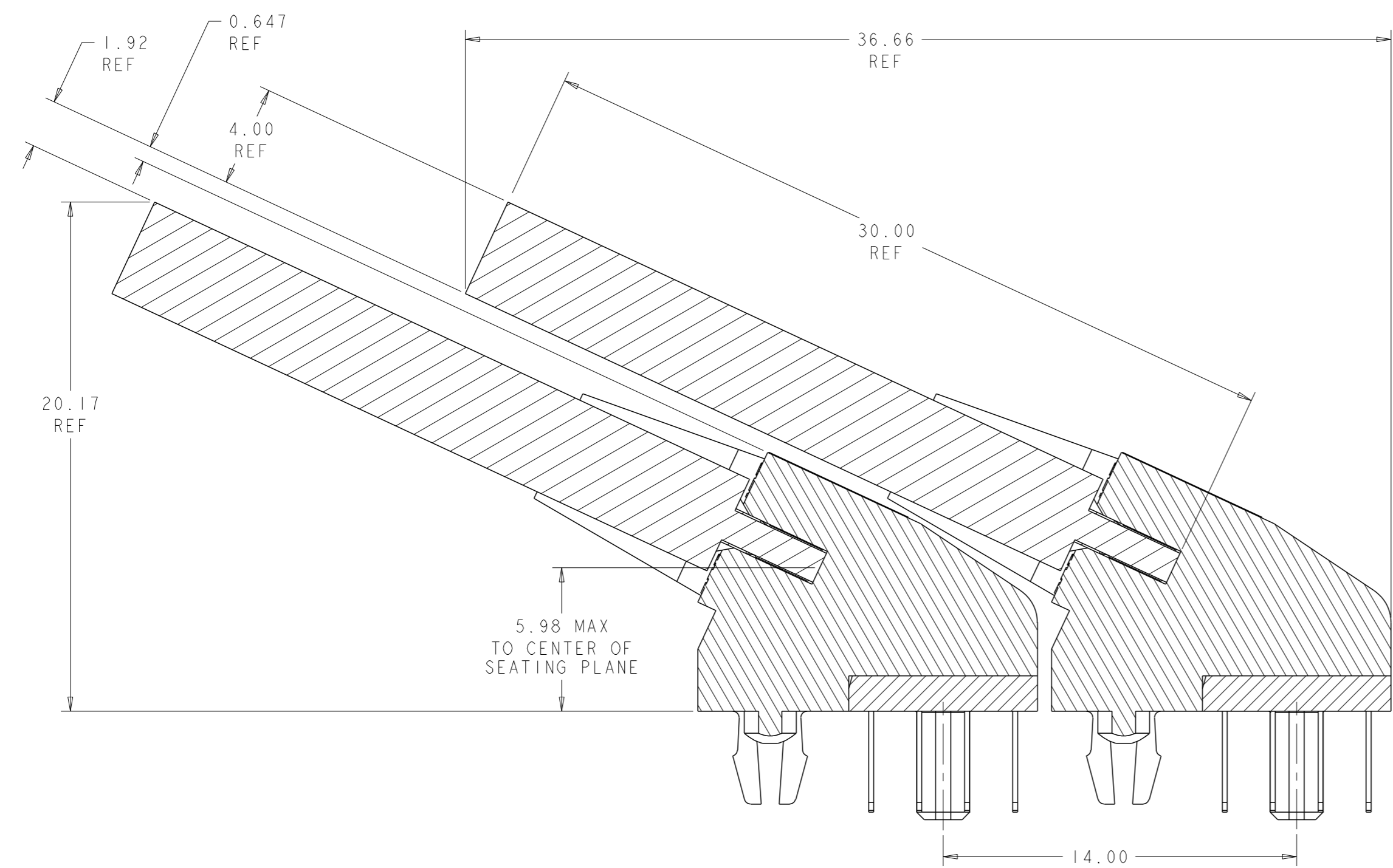
5 FINISHED HOLE SIZE. Ø0.15 MAXIMUM ANNULAR RING.

DIMENSIONS:		TOLERANCES UNLESS OTHERWISE SPECIFIED:		DWG: D. RINGLER 18JUL2003		Tyco Electronics Corporation	
mm		0 PLC ±.25		CHK: J. McCLELLAN 21AUG2003		SH/CN GuiPing RD 6688	
1 PLC ±0.25		2 PLC ±0.15		APVD: -		NAME: SOCKET ASSEMBLY	
2 PLC ±0.15		3 PLC ±0.013		PRODUCT SPEC: 108-2168		25 DEGREE DDR 11 DIMM	
3 PLC ±0.013		4 PLC ±.1		APPLICATION SPEC: 114-13130		240 POSITION	
4 PLC ±.1		ANGLES ±.1		SIZE: A		CAGE CODE: 00779	
MATERIAL: 1		FINISH: 2, 3		DRAWING NO: C=1658787		RESTRICTED TO: -	
1		2, 3		WEIGHT: -		SCALE: 1:1	
CUSTOMER DRAWING		SHEET 1 OF 3		REV D			

LOC		DIST		REVISIONS			
P	LTN	DESCRIPTION	DATE	DRN	APVD		
ES	00	SEE SHEET 1					



SECTION H-H  
SCALE 8:1



MINIMUM RECOMMENDED ROW TO ROW SPACING  
FOR 4mm THICK MODULE

SCALE 8:1

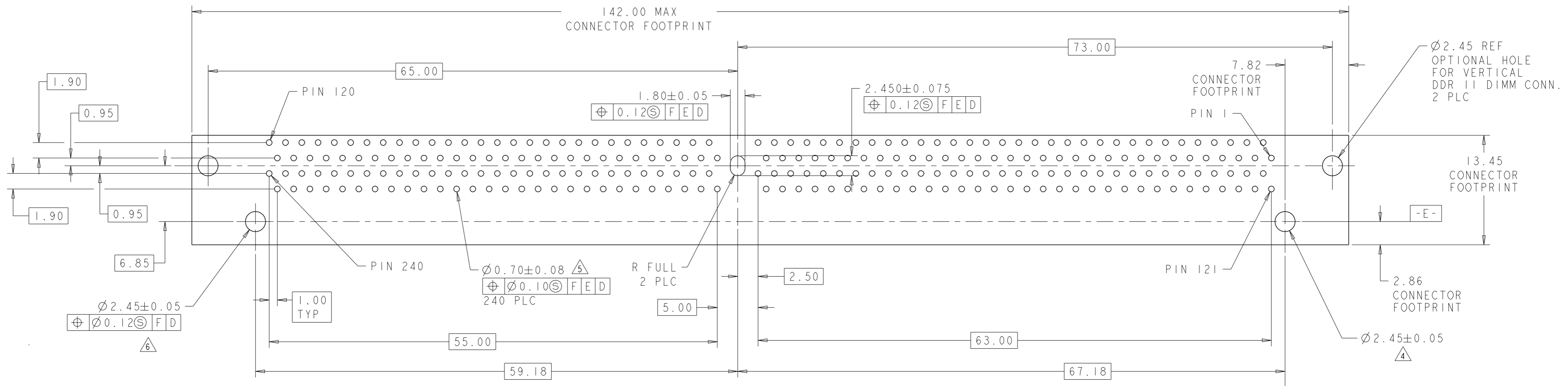
①	OBsolete	EXTRATOR COLOR	HOUSING COLOR	CONTACT GOLD INTERFACE	TAIL LENGTH	PART NUMBER
	OBsolete	BLACK	BLACK	0.00038 MIN $\Delta$	2.67	2-1658787-4
	OBsolete			0.00008 MIN $\Delta$	4.00	1658787-9
	OBsolete			0.00008 MIN $\Delta$	3.18	1658787-8
	OBsolete			0.00008 MIN $\Delta$	2.67	1658787-7
	OBsolete			0.00038 MIN $\Delta$	4.00	1658787-6
	OBsolete	NATURAL	BLACK	0.00038 MIN $\Delta$	3.18	1658787-5
	OBsolete			0.00038 MIN $\Delta$	2.67	1658787-4
				0.00076 MIN $\Delta$	4.00	1658787-3
	OBsolete			0.00076 MIN $\Delta$	3.18	1658787-2
	OBsolete			0.00076 MIN $\Delta$	2.67	1658787-1

DIMENSIONS:		TOLERANCES UNLESS OTHERWISE SPECIFIED:		DWN 18JUL2003		Tyco Electronics corporation	
mm		0 PLC ±.25		CHK 21AUG2003		SH/CN GuiPing RD 6688	
①		1 PLC ±0.25		APVD -		NAME	
		2 PLC ±0.15		PRODUCT SPEC		SOCKET ASSEMBLY	
		3 PLC ±0.013		APPLICATION SPEC		25 DEGREE DDR 11 DIMM	
		4 PLC ±.1		MATERIAL		240 POSITION	
		FINISH		WEIGHT		RESTRICTED TO	
				CUSTOMER DRAWING		SIZE CAGE CODE DRAWING NO	
				SCALE 1:1		A 00779 C=1658787	
				SHEET 2 OF 3		REV D	

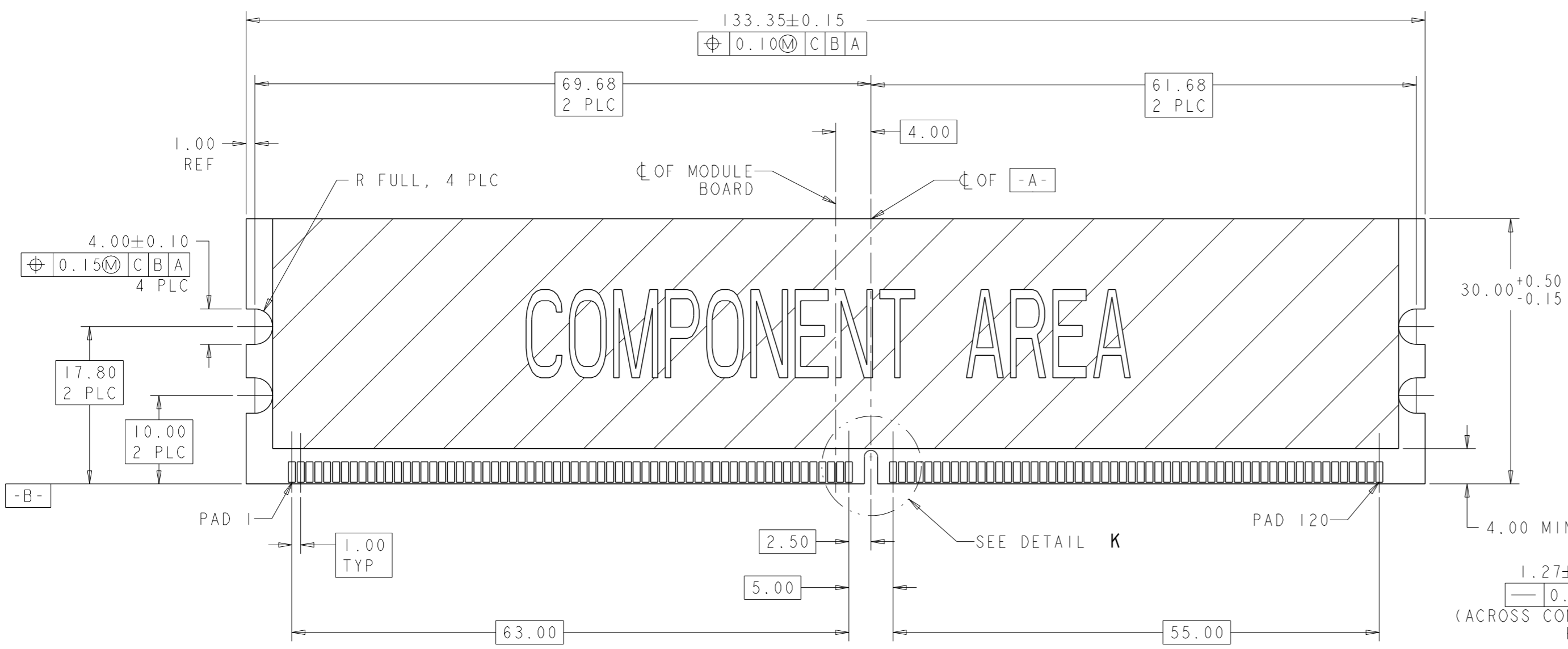
LOC	DIST	REV	DATE	BY	APPV
ES	00				

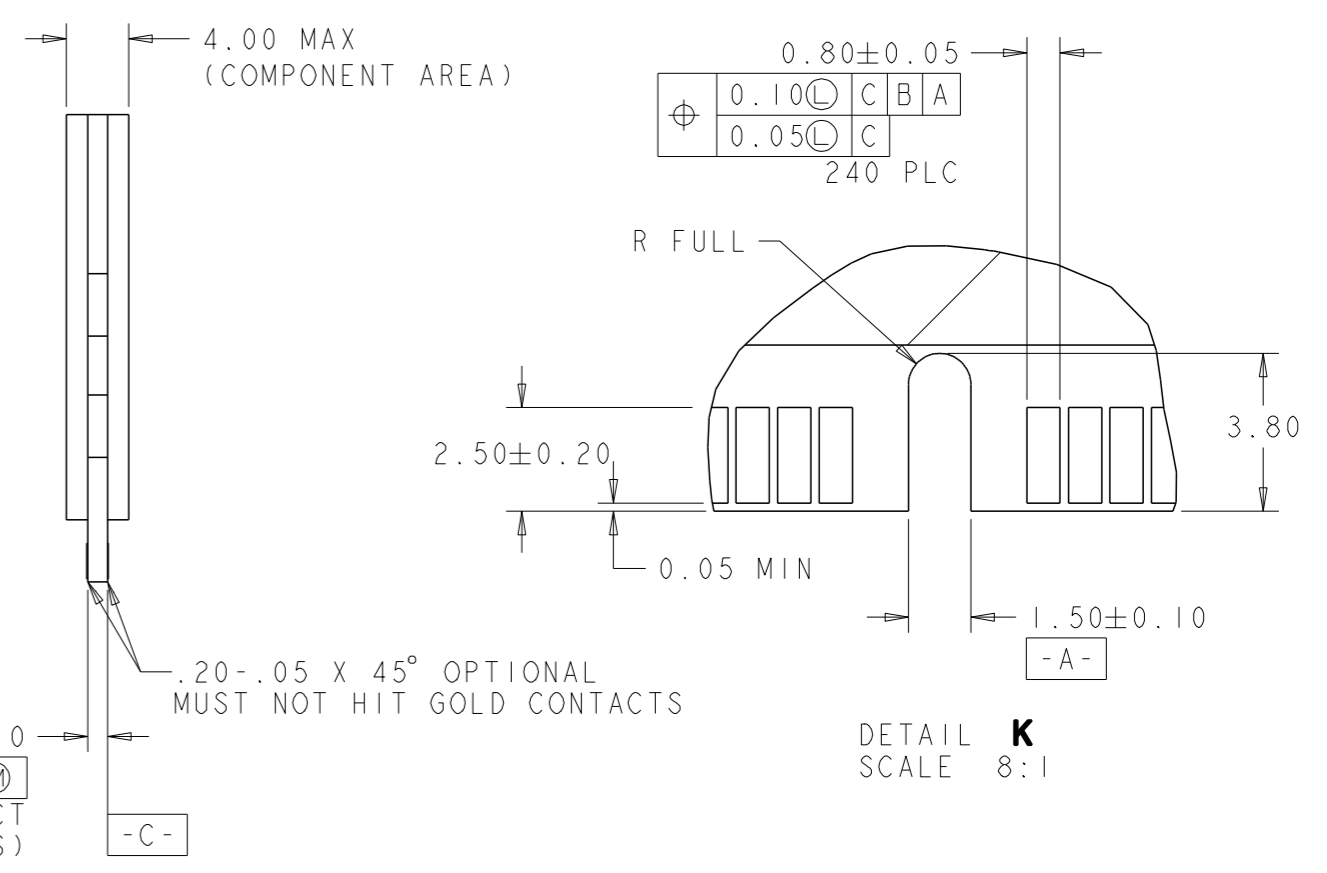
REVISIONS		DATE	BY	APPV
1	SEE SHEET 1			



RECOMMENDED PCB HOLE LAYOUT  $\Delta$   
VIEWED FROM CONNECTOR SIDE  
SCALE 4:1



RECOMMENDED MODULE LAYOUT  
SCALE 3:1



DETAIL K  
SCALE 8:1

<small>THIS DRAWING IS A CONTROLLED DOCUMENT FOR TYCO ELECTRONICS CORPORATION. IT IS BRANDED TO CONTROL AND THE CONTROL LABELING ORGANIZATION SHOULD BE CONSULTED FOR THE LATEST REVISION.</small>		DWN: D. RINGLER 18JUL2003 CHK: 21AUG2003 APVD: - NAME: - PRODUCT SPEC: - APPLICATION SPEC: - MATERIAL: - FINISH: -	Tyco Electronics Corporation Tyco Electronics Corporation SH/CN GuiPing RD 6688
DIMENSIONS: mm 	TOLERANCES UNLESS OTHERWISE SPECIFIED: 0 PLC ±.25 1 PLC ±0.25 2 PLC ±0.15 3 PLC ±0.013 4 PLC ±.1 ANGLES ±1	SIZE: A CAGE CODE: 00779 DRAWING NO: C=1658787 RESTRICTED TO: - CUSTOMER DRAWING: -	SOCKET ASSEMBLY 25 DEGREE DDR II DIMM 240 POSITION SCALE: 1:1 SHEET: 3 OF 3 REV: D