



Chipsmall Limited consists of a professional team with an average of over 10 year of expertise in the distribution of electronic components. Based in Hongkong, we have already established firm and mutual-benefit business relationships with customers from,Europe,America and south Asia,supplying obsolete and hard-to-find components to meet their specific needs.

With the principle of "Quality Parts,Customers Priority,Honest Operation,and Considerate Service",our business mainly focus on the distribution of electronic components. Line cards we deal with include Microchip,ALPS,ROHM,Xilinx,Pulse,ON,Everlight and Freescale. Main products comprise IC,Modules,Potentiometer,IC Socket,Relay,Connector.Our parts cover such applications as commercial,industrial, and automotives areas.

We are looking forward to setting up business relationship with you and hope to provide you with the best service and solution. Let us make a better world for our industry!



Contact us

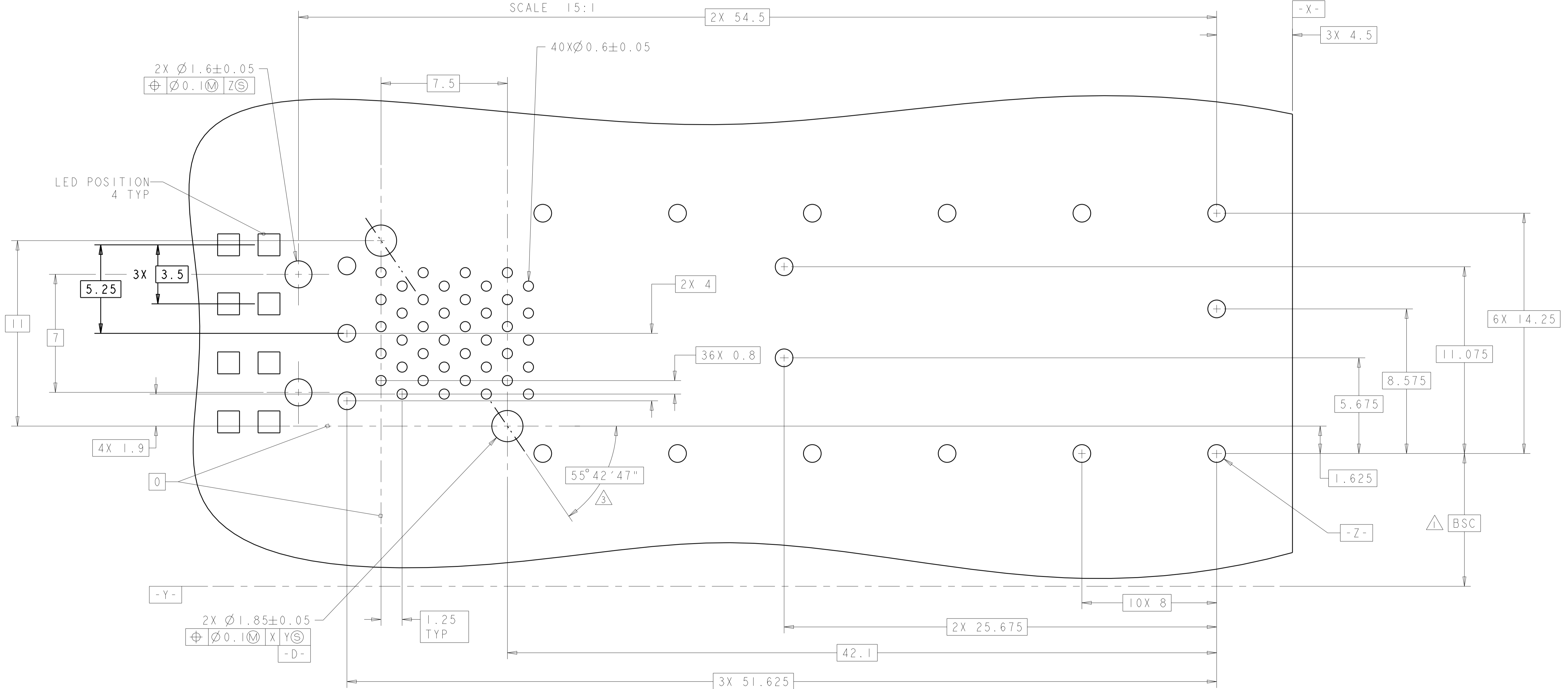
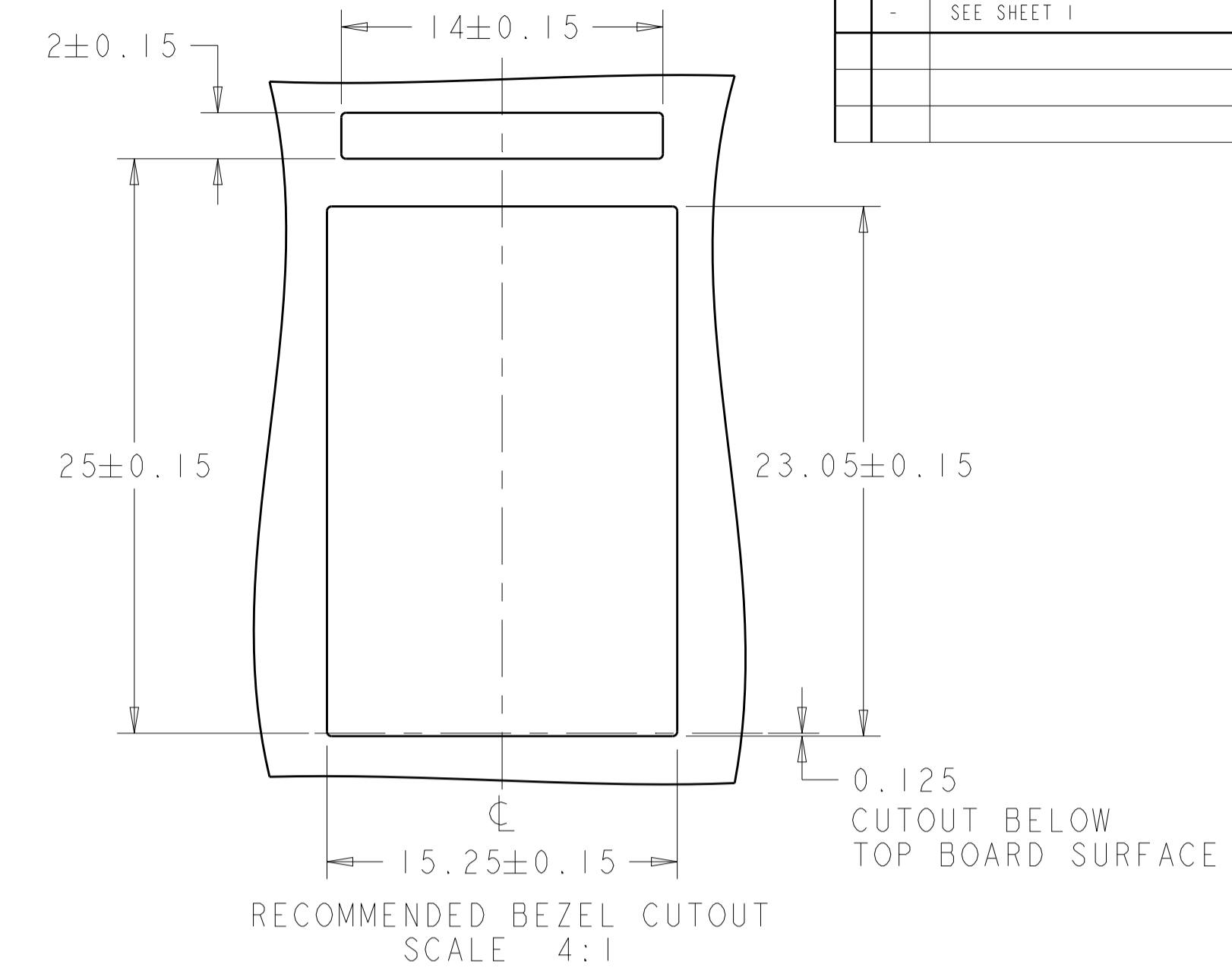
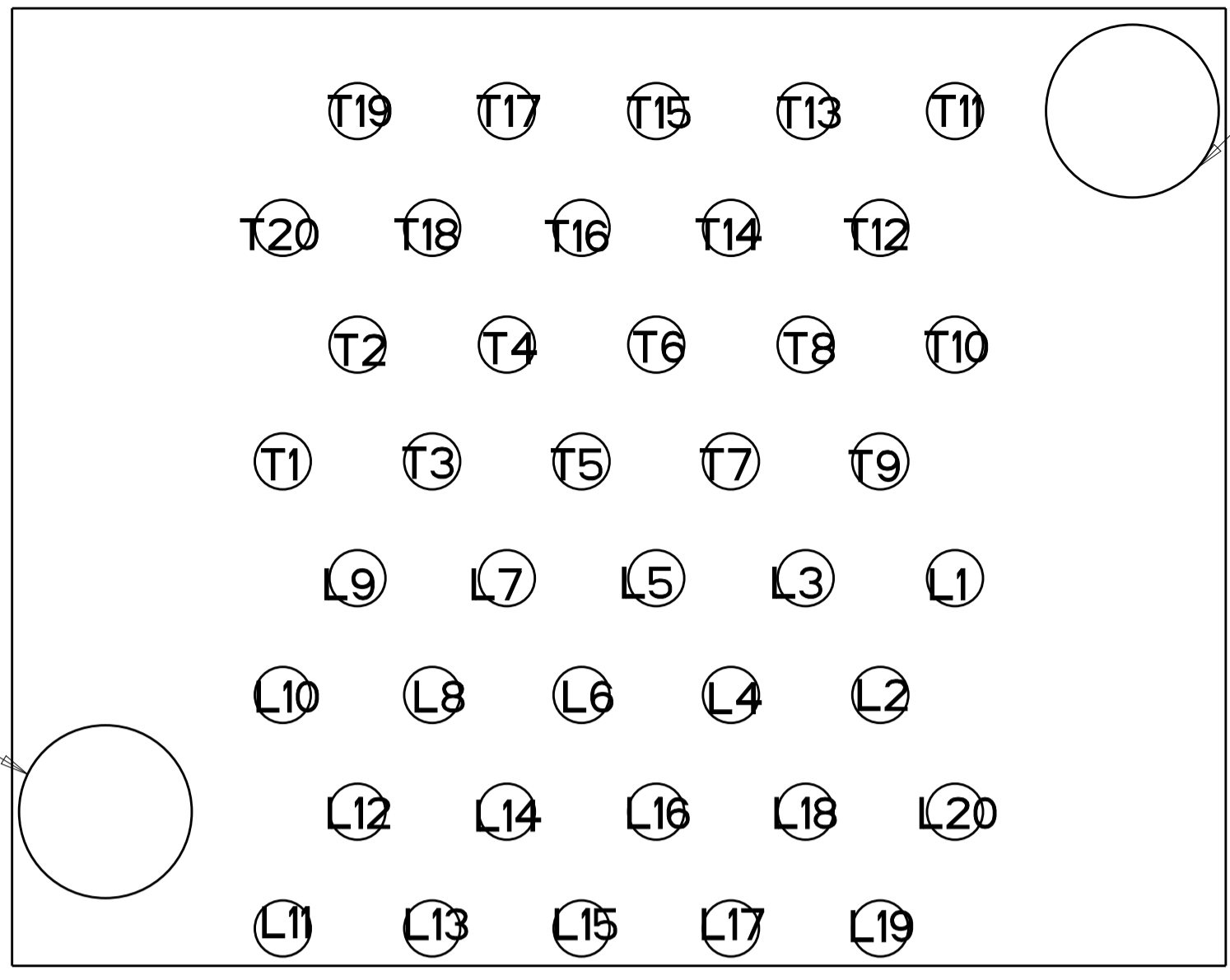
Tel: +86-755-8981 8866 Fax: +86-755-8427 6832

Email & Skype: info@chipsmall.com Web: www.chipsmall.com

Address: A1208, Overseas Decoration Building, #122 Zhenhua RD., Futian, Shenzhen, China



LOC		DIST		REVISIONS			
ES	00	P	LTN	DESCRIPTION	DATE	DMN	APVD
-	-	-	-	SEE SHEET 1	-	-	-



THIS DRAWING IS A CONTROLLED DOCUMENT.		DMN: M.E. CONNER 17SEP2003	TE Connectivity
DIMENSIONS: mm		CHK: R.R. HENRY 17SEP2003	
TOLERANCES UNLESS OTHERWISE SPECIFIED:		APVD: R.R. HENRY 17SEP2003	NAME: 2X1 CONNECTOR ASSEMBLY STACKED SFP WITH LIGHT PIPE ASSEMBLY LOW PROFILE, PRESS FIT SIZE: A1 CAGE CODE: 1658859 SCALE: 2:1 SHEET 2 OF 2 REV: F1
0 PLC ±0.25		PRODUCT SPEC: 108-2161	
1 PLC ±0.25		APPLICATION SPEC: 114-13103	
2 PLC ±0.1		WEIGHT: -	
3 PLC ±0.1		FINISH: -	CUSTOMER DRAWING
4 PLC ±0.1		RESTRICTED TO: -	
ANGLES ±°			