



Chipsmall Limited consists of a professional team with an average of over 10 year of expertise in the distribution of electronic components. Based in Hongkong, we have already established firm and mutual-benefit business relationships with customers from,Europe,America and south Asia,supplying obsolete and hard-to-find components to meet their specific needs.

With the principle of "Quality Parts,Customers Priority,Honest Operation,and Considerate Service",our business mainly focus on the distribution of electronic components. Line cards we deal with include Microchip,ALPS,ROHM,Xilinx,Pulse,ON,Everlight and Freescale. Main products comprise IC,Modules,Potentiometer,IC Socket,Relay,Connector.Our parts cover such applications as commercial,industrial, and automotives areas.

We are looking forward to setting up business relationship with you and hope to provide you with the best service and solution. Let us make a better world for our industry!



Contact us

Tel: +86-755-8981 8866 Fax: +86-755-8427 6832

Email & Skype: info@chipsmall.com Web: www.chipsmall.com

Address: A1208, Overseas Decoration Building, #122 Zhenhua RD., Futian, Shenzhen, China



4

3

2

1

THIS DRAWING IS UNPUBLISHED. RELEASED FOR PUBLICATION 20
 © COPYRIGHT 20 BY TYCO ELECTRONICS CORPORATION. ALL RIGHTS RESERVED.

LOC	DIST	REVISIONS			
P	LTR	DESCRIPTION	DATE	DWN	APVD
ES	00				
	A4	REVISED ECR-08-009797	16MAY08	AZ	SY
	B	REVISED PER ECO-11-005032	11MAR2011	JY	CW

INTERMEDIATE REAR EMI GASKET;
 MAT'L: COPPER ALLOY
 FINISH: TIN

XFP CAGE
 MAT'L: COPPER ALLOY
 FINISH: TIN

23 MAX

FRONT EMI GASKET;
 MAT'L: COPPER ALLOY
 FINISH: TIN

65.53 REF

ELASTOMERIC GASKET;
 MAT'L: CONDUCTIVE
 RUBBER

21.7 MIN

2 REF


13.29±0.13

2.25 MAX
 TYP (14) PLC

FRONT FLANGE;
 MAT'L: ZINC ALLOY
 FINISH: TIN
 OVER NICKEL AND
 COPPER FLASH

XFP CAGE REAR EMI GASKET;
 MAT'L: CONDUCTIVE FOAM

1658871-1
 PART
 NUMBER

<small>THIS DRAWING IS A CONTROLLED DOCUMENT FOR TYCO ELECTRONICS CORPORATION IT IS SUBJECT TO CHANGE AND THE CONTROLLING ENGINEERING ORGANIZATION SHOULD BE CONTACTED FOR THE LATEST REVISION.</small>		DWN D.E.STAHL 20NOV03 CHK E.BRIGHT 20NOV03 APVD E.BRIGHT 20NOV03	 Tyco Electronics Shanghai, China		
DIMENSIONS: mm		PRODUCT SPEC 108-2127 APPLICATION SPEC 114-13096	NAME ASSEMBLY, XFP CAGE WITH INSULATING TAPE		
TOLERANCES UNLESS OTHERWISE SPECIFIED: 0 PLC ±- 1 PLC ±.1 2 PLC ±.05 3 PLC ±.005 4 PLC ±.0001 ANGLES ±- FINISH		WEIGHT -	SIZE A2	CAGE CODE 00779	DRAWING NO 1658871
MATERIAL -		CUSTOMER DRAWING	SCALE 4	SHEET 1 OF 4	REV B

4

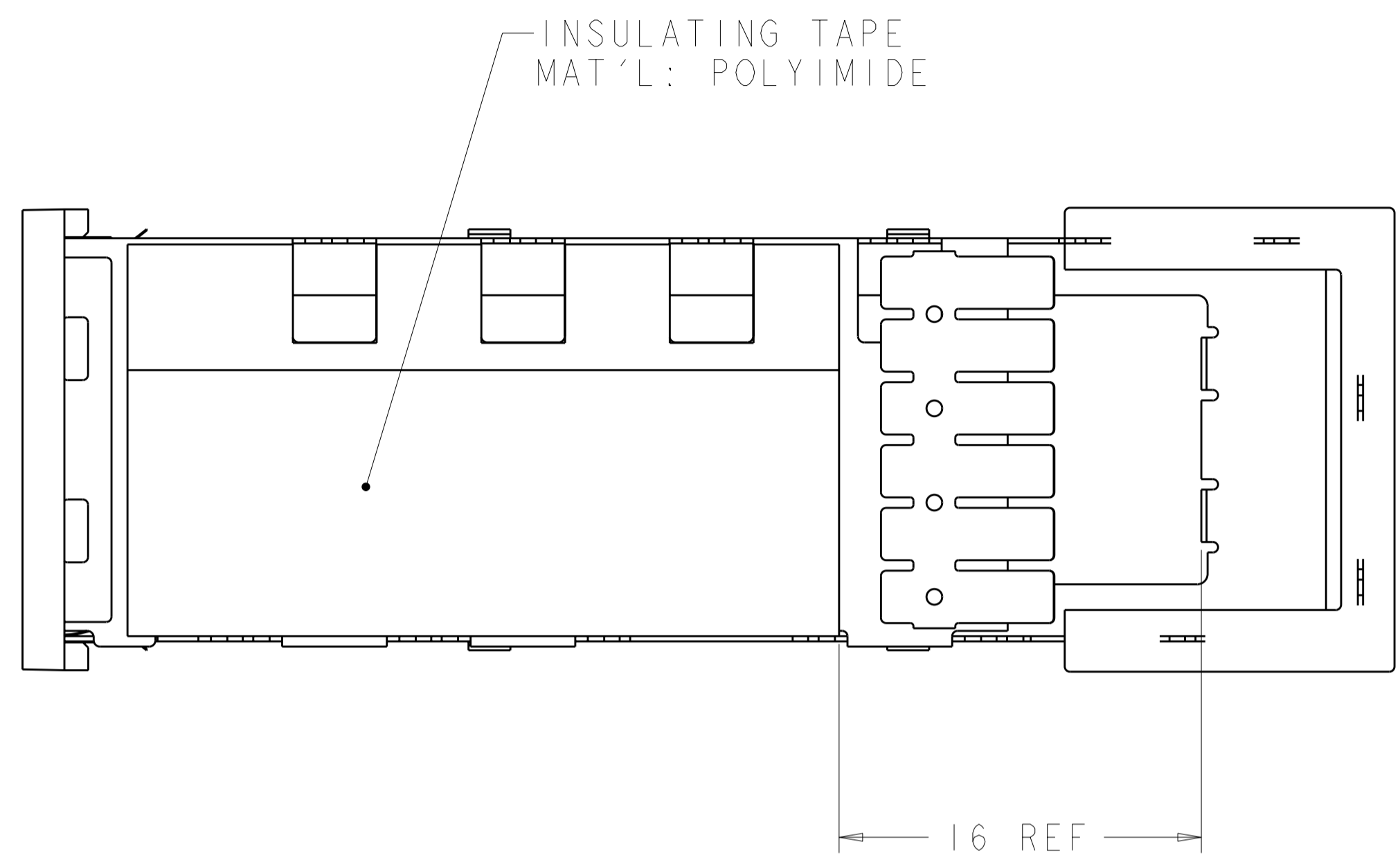
3

2

1

THIS DRAWING IS UNPUBLISHED. RELEASED FOR PUBLICATION 20
 © COPYRIGHT 20 BY TYCO ELECTRONICS CORPORATION. ALL RIGHTS RESERVED.

LOC	DIST	REVISIONS			
P	LTR	DESCRIPTION	DATE	DWN	APVD
ES	00	-	SEE SHEET 1	-	-



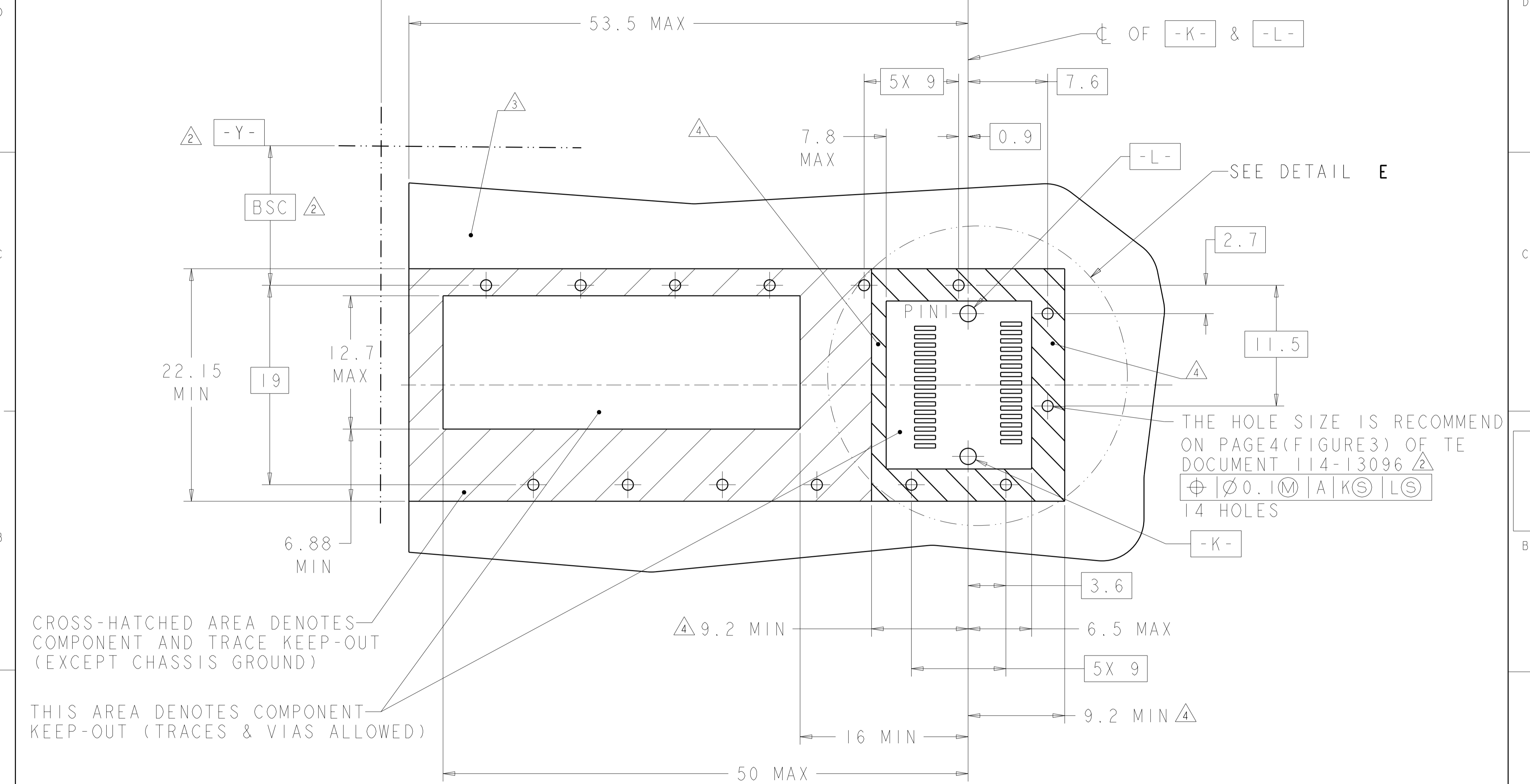
VIEW R - R

- ① MATES WITH XFP-MSA COMPLIANT TRANSCEIVERS.
- ② DATUM -X- AND -Y- ESTABLISHED BY CUSTOMER.
- ③ DATUM -A- IS TOP SURFACE OF HOST BOARD.
- ④ INDICATED SURFACES TO BE CONDUCTIVE AND CONNECTED TO CHASSIS GROUND.

<small>THIS DRAWING IS A CONTROLLED DOCUMENT FOR TYCO ELECTRONICS CORPORATION IT IS SUBJECT TO CHANGE AND THE CONTROLLING ENGINEERING ORGANIZATION SHOULD BE CONTACTED FOR THE LATEST REVISION.</small>		DWN D.E.STAHL 20NOV03 CHK E.BRIGHT 20NOV03 APVD E.BRIGHT 20NOV03	Tyco Electronics Shanghai, China
DIMENSIONS: mm 	TOLERANCES UNLESS OTHERWISE SPECIFIED: 0 PLC ±.1 1 PLC ±.1 2 PLC ±.05 3 PLC ±.005 4 PLC ±.0001 ANGLES ± FINISH	PRODUCT SPEC 108-2127 APPLICATION SPEC 114-13096 WEIGHT -	NAME ASSEMBLY, XFP CAGE WITH INSULATING TAPE SIZE A2 CAGE CODE 00779 DRAWING NO. 1658871 RESTRICTED TO -
MATERIAL -		CUSTOMER DRAWING	
		SCALE 4	SHEET 2 OF 4 REV B

THIS DRAWING IS UNPUBLISHED. RELEASED FOR PUBLICATION 20
 © COPYRIGHT 20 BY TYCO ELECTRONICS CORPORATION. ALL RIGHTS RESERVED.

LOC	DIST	REVISIONS			
P	LTR	DESCRIPTION	DATE	DWN	APVD
ES	00	SEE SHEET 1			



CROSS-HATCHED AREA DENOTES COMPONENT AND TRACE KEEP-OUT (EXCEPT CHASSIS GROUND)

THIS AREA DENOTES COMPONENT KEEP-OUT (TRACES & VIAS ALLOWED)

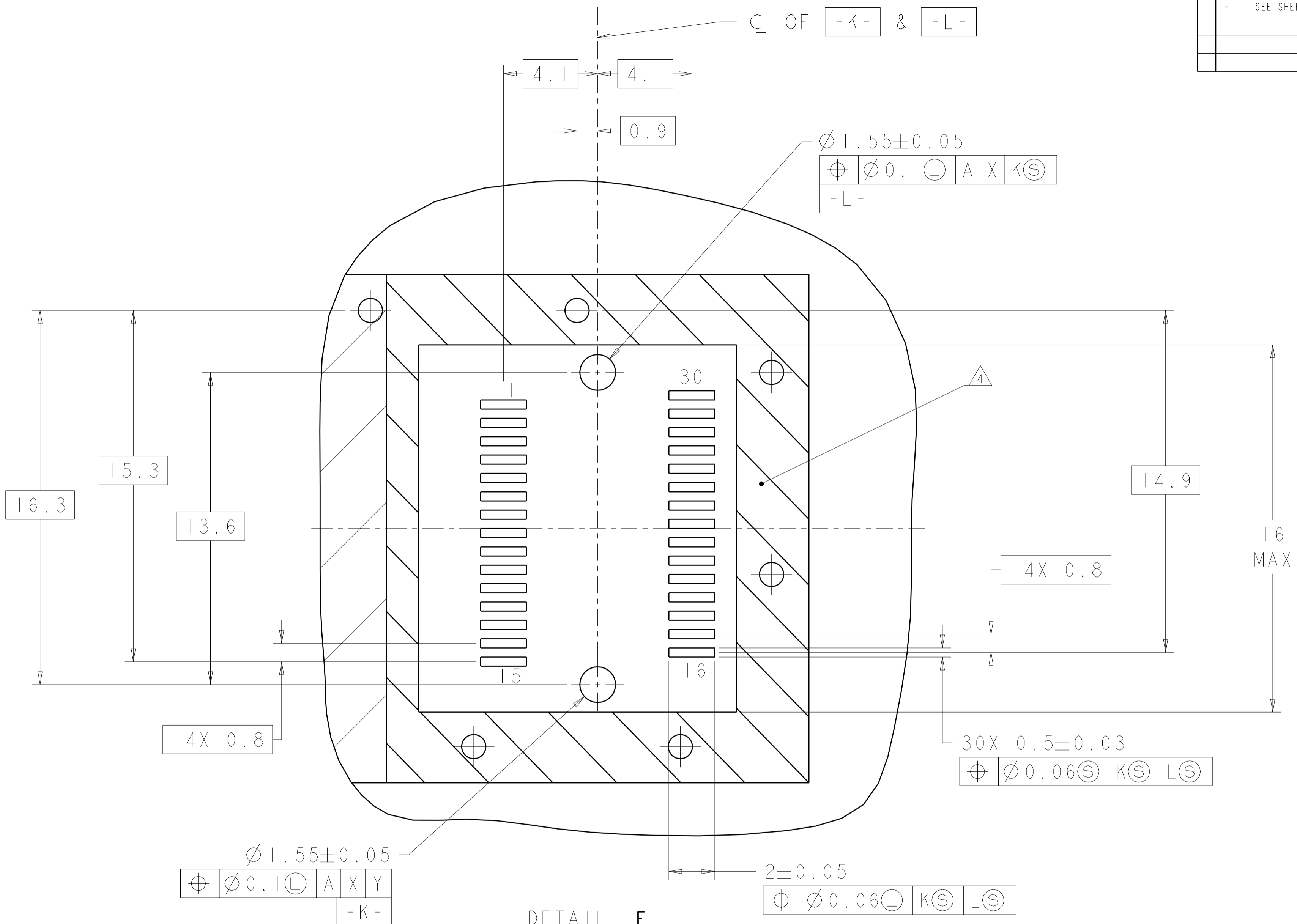
THE HOLE SIZE IS RECOMMEND ON PAGE 4 (FIGURE 3) OF TE DOCUMENT 114-13096
 Ø 0.1 (M) A (K) S (L) S
 14 HOLES

DETAILED HOST BOARD MECHANICAL LAYOUT

<small>THIS DRAWING IS A CONTROLLED DOCUMENT FOR TYCO ELECTRONICS CORPORATION. IT IS SUBJECT TO CHANGE AND THE CONTROLLING ENGINEERING ORGANIZATION SHOULD BE CONTACTED FOR THE LATEST REVISION.</small>		DWN D.E.STAHL 20NOV03 CHK E.BRIGHT 20NOV03 APVD E.BRIGHT 20NOV03	Tyco Electronics Tyco Electronics Shanghai, China
DIMENSIONS: mm 	TOLERANCES UNLESS OTHERWISE SPECIFIED: 0 PLC ± 1 PLC ±.1 2 PLC ±.05 3 PLC ±.005 4 PLC ±.0001 ANGLES FINISH	PRODUCT SPEC 108-2127 APPLICATION SPEC 114-13096 WEIGHT -	NAME ASSEMBLY, XFP CAGE WITH INSULATING TAPE SIZE A2 CAGE CODE 00779 DRAWING NO. 1658871 RESTRICTED TO -
MATERIAL -		CUSTOMER DRAWING	SCALE 4 SHEET 3 OF 4 REV B

THIS DRAWING IS UNPUBLISHED. RELEASED FOR PUBLICATION 20
 © COPYRIGHT 20 BY TYCO ELECTRONICS CORPORATION. ALL RIGHTS RESERVED.

LOC	DIST	REVISIONS					
ES	00	P	LTR	DESCRIPTION	DATE	DWN	APVD
		-		SEE SHEET 1			



Ø1.55±0.05
 ⊕ Ø0.1(L) AX Y
 -K-

2±0.05
 ⊕ Ø0.06(L) K(S) L(S)

DETAIL E
 SCALE 8:1

DETAILED HOST BOARD MECHANICAL LAYOUT

<small>THIS DRAWING IS A CONTROLLED DOCUMENT FOR TYCO ELECTRONICS CORPORATION. IT IS SUBJECT TO CHANGE AND THE CONTROLLING ENGINEERING ORGANIZATION SHOULD BE CONTACTED FOR THE LATEST REVISION.</small>		DWN D.E.STAHL 20NOV03 CHK E.BRIGHT 20NOV03 APVD E.BRIGHT 20NOV03	Tyco Electronics Shanghai, China
DIMENSIONS: mm 	TOLERANCES UNLESS OTHERWISE SPECIFIED: 0 PLC ±- 1 PLC ±.1 2 PLC ±.05 3 PLC ±.005 4 PLC ±.0001 ANGLES FINISH	PRODUCT SPEC 108-2127 APPLICATION SPEC 114-13096 WEIGHT - CUSTOMER DRAWING	NAME ASSEMBLY, XFP CAGE WITH INSULATING TAPE SIZE A2 CAGE CODE 00779 DRAWING NO. 1658871 RESTRICTED TO - SCALE 4 SHEET 4 OF 4 REV B