



Chipsmall Limited consists of a professional team with an average of over 10 year of expertise in the distribution of electronic components. Based in Hongkong, we have already established firm and mutual-benefit business relationships with customers from,Europe,America and south Asia,supplying obsolete and hard-to-find components to meet their specific needs.

With the principle of “Quality Parts,Customers Priority,Honest Operation,and Considerate Service”,our business mainly focus on the distribution of electronic components. Line cards we deal with include Microchip,ALPS,ROHM,Xilinx,Pulse,ON,Everlight and Freescale. Main products comprise IC,Modules,Potentiometer,IC Socket,Relay,Connector.Our parts cover such applications as commercial,industrial, and automotives areas.

We are looking forward to setting up business relationship with you and hope to provide you with the best service and solution. Let us make a better world for our industry!



Contact us

Tel: +86-755-8981 8866 Fax: +86-755-8427 6832

Email & Skype: info@chipsmall.com Web: www.chipsmall.com

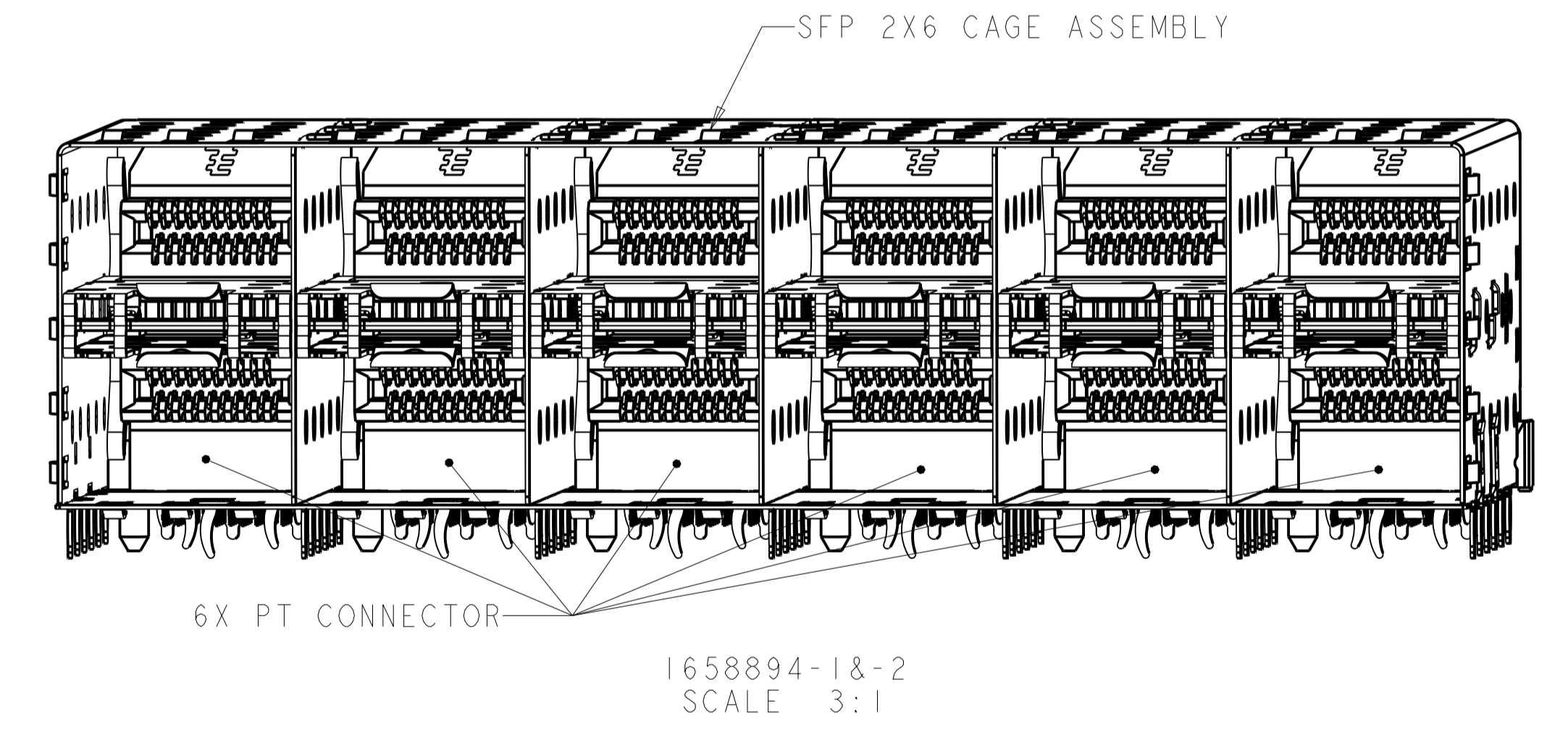
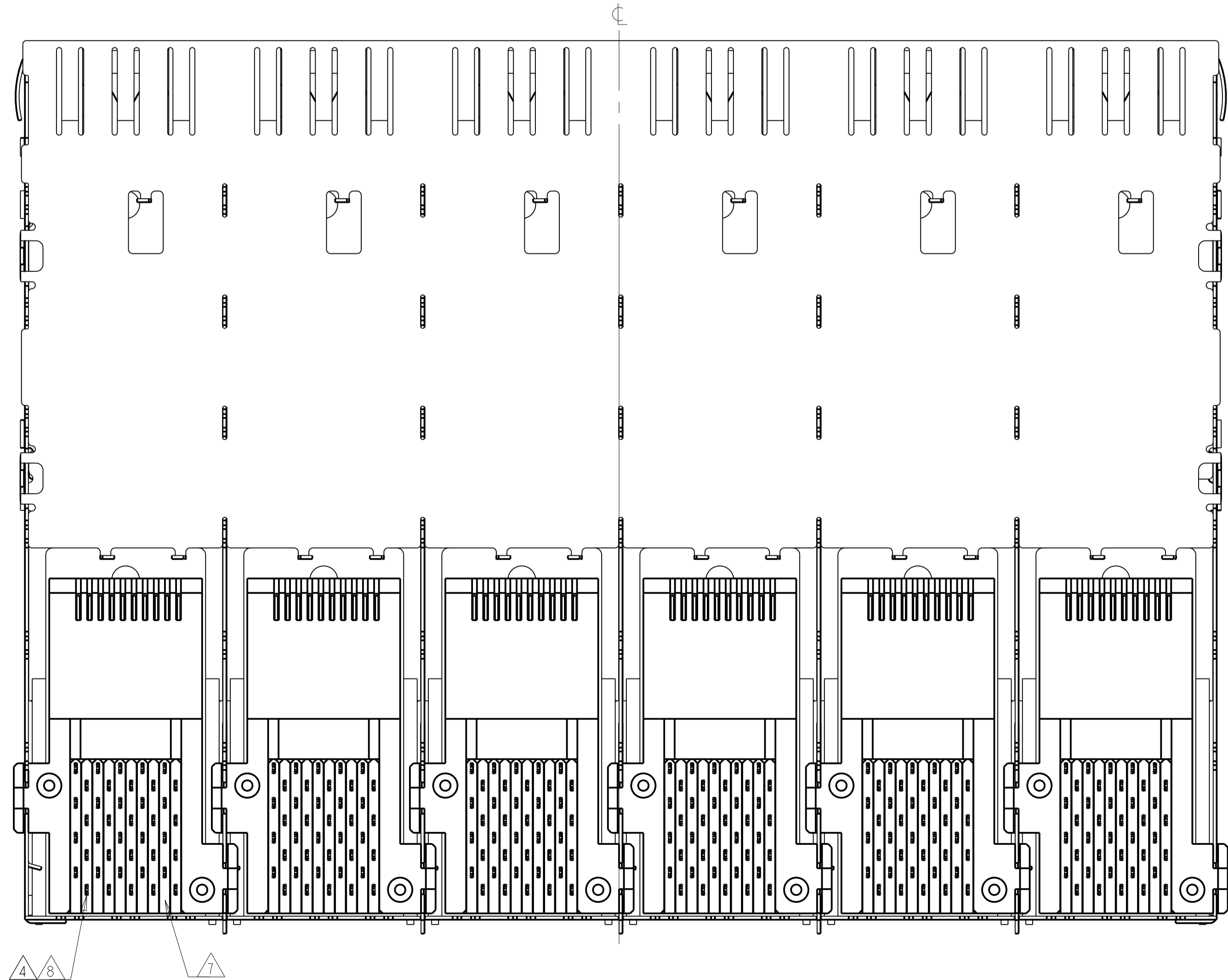
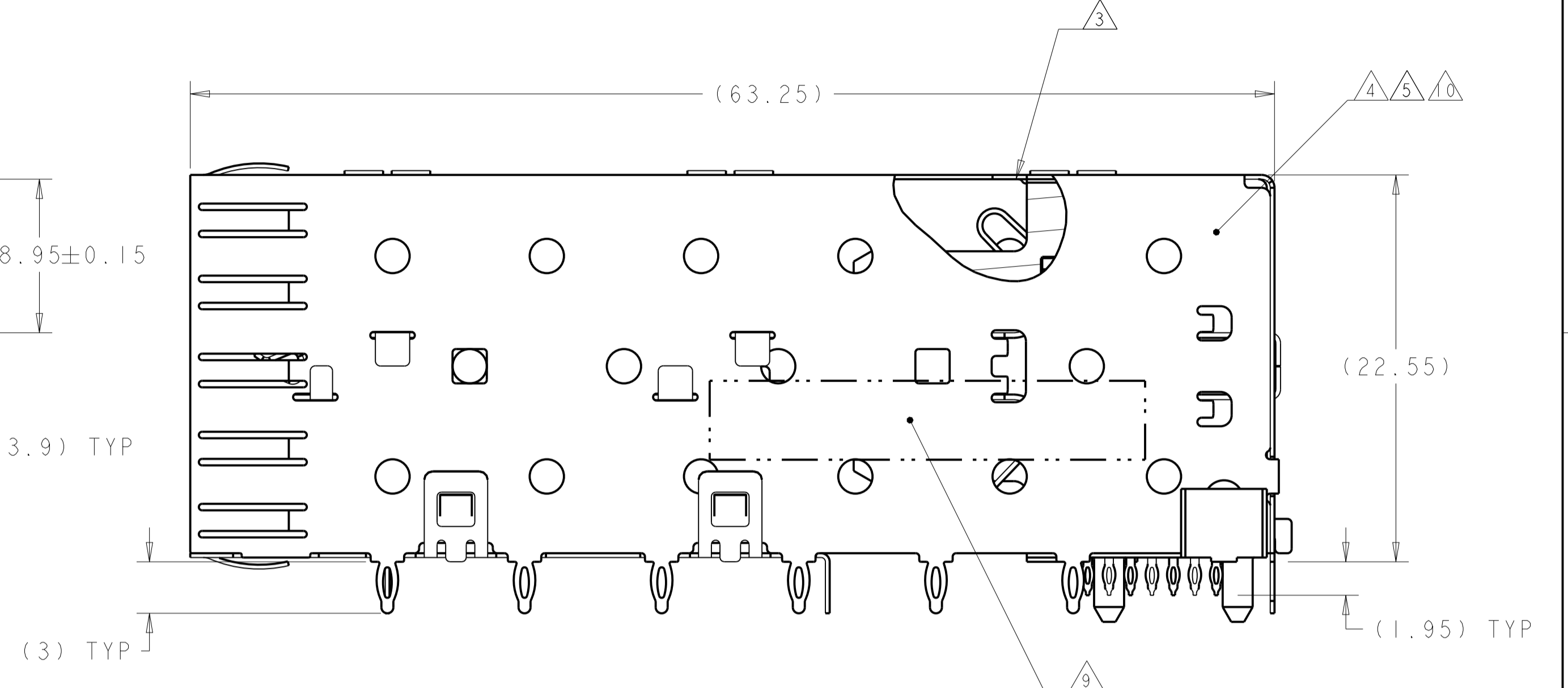
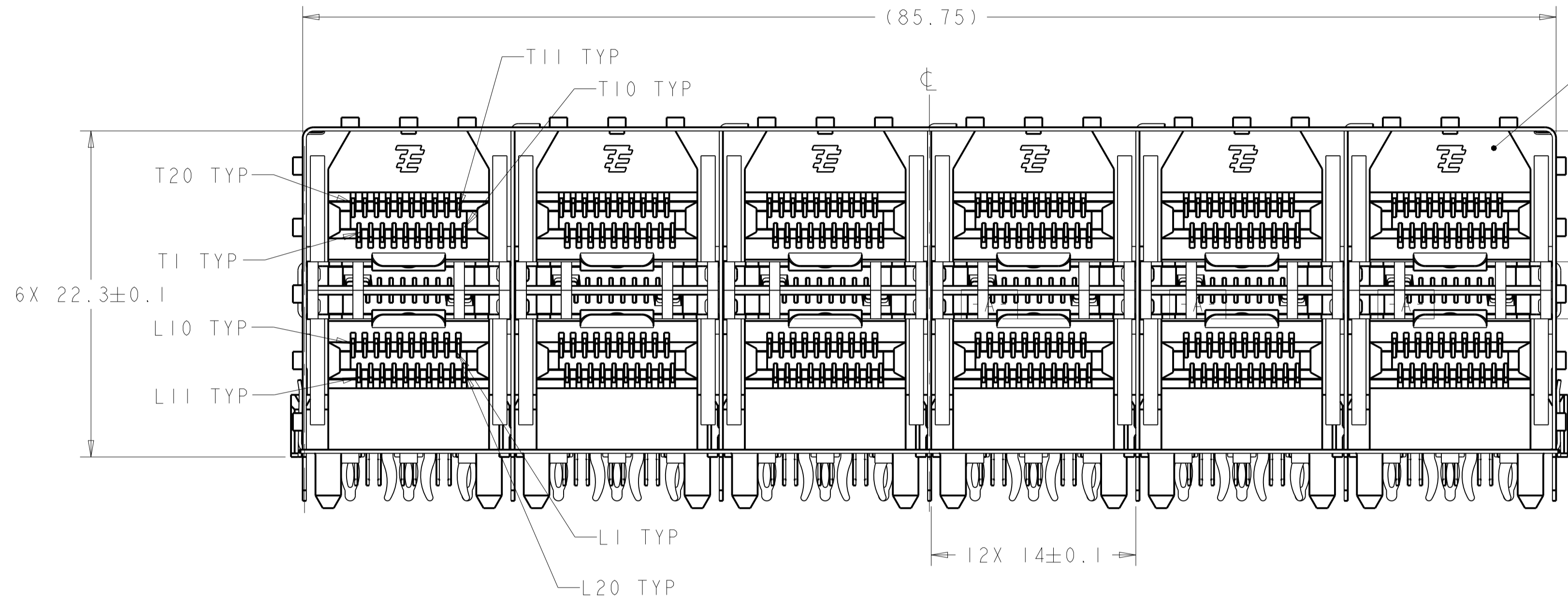
Address: A1208, Overseas Decoration Building, #122 Zhenhua RD., Futian, Shenzhen, China



- 1 DATUM AND BASIC DIMENSION TO BE DETERMINED BY CUSTOMER
- 2 INTERPRETATION OF DATUM REFERENCE FRAME IN ACCORDANCE WITH SECT 4.4.1.1 OF ASME Y14.5M-1994
- 3 TOP OF PT CONNECTOR TO BE 0-0.15 FROM INSIDE SURFACE OF CAGE
- 4 COPPER ALLOY
- 5 1.25µm MIN TIN PER ASTM B 545 OVER NICKEL FLASH PER QQ-N-290, NON-PLATED EDGES PERMISSIBLE.
- 6 LCP, HIGH TEMPERATURE, UL 94V-O RATED, BLACK

- 7 POLYESTER, UL 94V-O RATED, BLACK
- 8 CONTACT MATING AREA: SURFACE TREATMENT OVER 0.76 µm MIN GOLD PER ASTM B 488 OVER 1.27µm MIN NICKEL PER QQ-N-290. NEEDLE EYE: 1.25µm MIN TIN PER ASTM B 545 OVER 1.27µm MIN NICKEL PER QQ-N-290. REMAINDER OF CONTACT: 0.76µm MIN NICKEL PER QQ-N-290.
- 9 DATE CODE AND PART NUMBER IN APPROXIMATE AREA SHOWN.
- 10 MATERIAL: NICKEL SILVER ALLOY(NO PLATING)

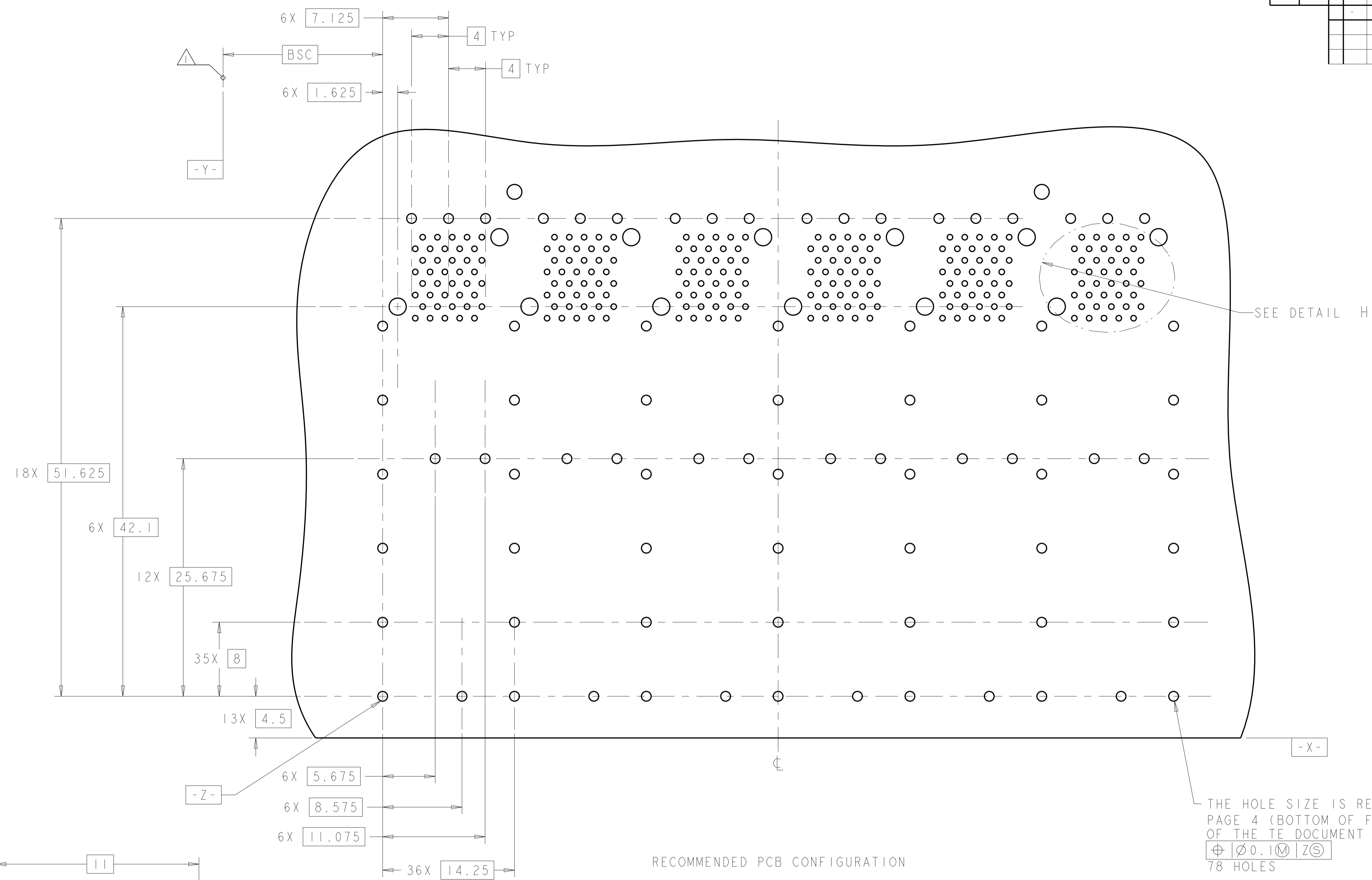
LOC	DIST	REV	DESCRIPTION	DATE	OWN	APVD
ES	00					
C			ECR-08-028454	11NOV2008	AL	SY
C1			ECR-09-006516	31MAR2009	AL	SY
D			REVISED PER ECO-14-000886	20FEB2014	JW	SH
D1			REVISED PER ECO-14-010419	11JUL2014	JW	SH



8	4, 7	NO	10	1658894-2
8	4, 7	5	4	1658894-1
PT CONNECTOR FINISH	PT CONNECTOR MATERIAL	CAGE ASSEMBLY FINISH	CAGE ASSEMBLY MATERIAL	PART NUMBER

THIS DRAWING IS A CONTROLLED DOCUMENT.		OWN: M.E. CONNER 18-FEB-09	TE Connectivity	
DIMENSIONS: mm		CHK: R.R. HENRY 18-FEB-09	NAME: 2X6 CONNECTOR ASSEMBLY	
TOLERANCES UNLESS OTHERWISE SPECIFIED:		APVD: R.R. HENRY 18-FEB-09	LOW PROFILE, PRESS FIT, STACKED SFP	
0 PLC ±	1 PLC ±0.1	PRODUCT SPEC: 108-2161	SIZE: A1	RESTRICTED TO: -
2 PLC ±	3 PLC ±	APPLICATION SPEC: 114-13103	CAGE CODE: C=1658894	SHEET 1 OF 3
4 PLC ±	ANGLES ±	WEIGHT: -	SCALE: 4:1	REV: D1
MATERIAL: -	FINISH: -	CUSTOMER DRAWING		

LOC	DIST	REVISIONS			
ES	00	REV	DATE	BY	APPV
-	-	SEE SHEET 1	-	-	-

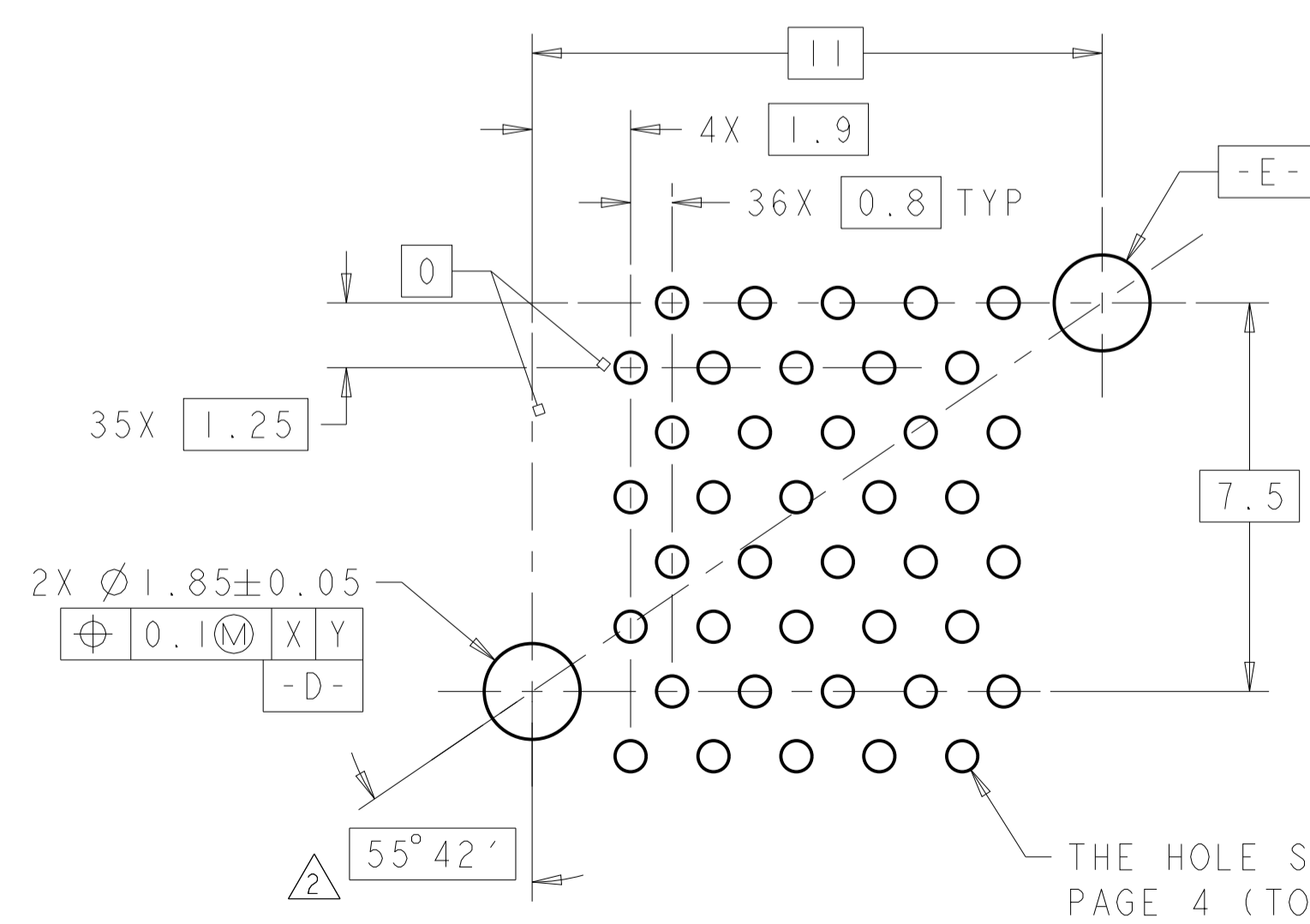


THE HOLE SIZE IS RECOMMENDED ON THE PAGE 4 (BOTTOM OF FIGURE2 FOR CAGE ASSEMBLY) OF THE TE DOCUMENT 114-13103
 $\varnothing 0.10M | Z(S)$
 78 HOLES

RECOMMENDED PCB CONFIGURATION

- T19 T17 T15 T13 T11
- T20 T18 T16 T14 T12
- T2 T4 T6 T8 T10
- T1 T3 T5 T7 T9
- L9 L7 L5 L3 L1
- L10 L8 L6 L4 L2
- L12 L14 L16 L18 L20
- L11 L13 L15 L17 L19

PT CONNECTOR PIN CALL-OUTS
SCALE 10:1

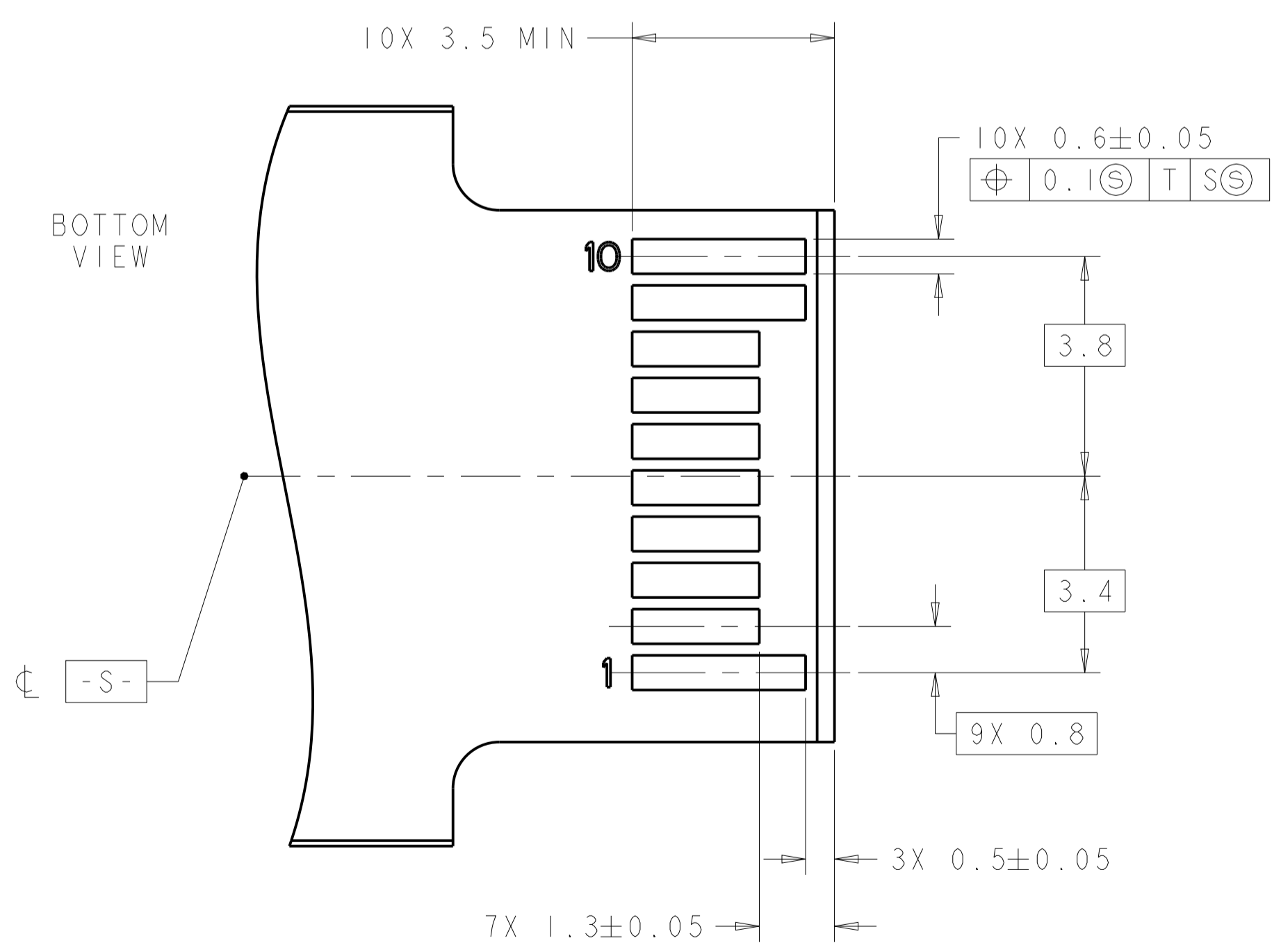
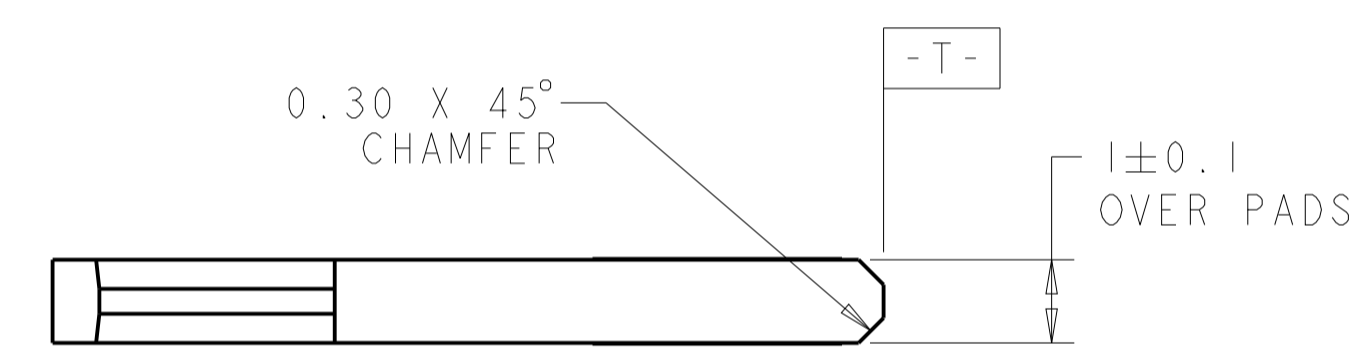
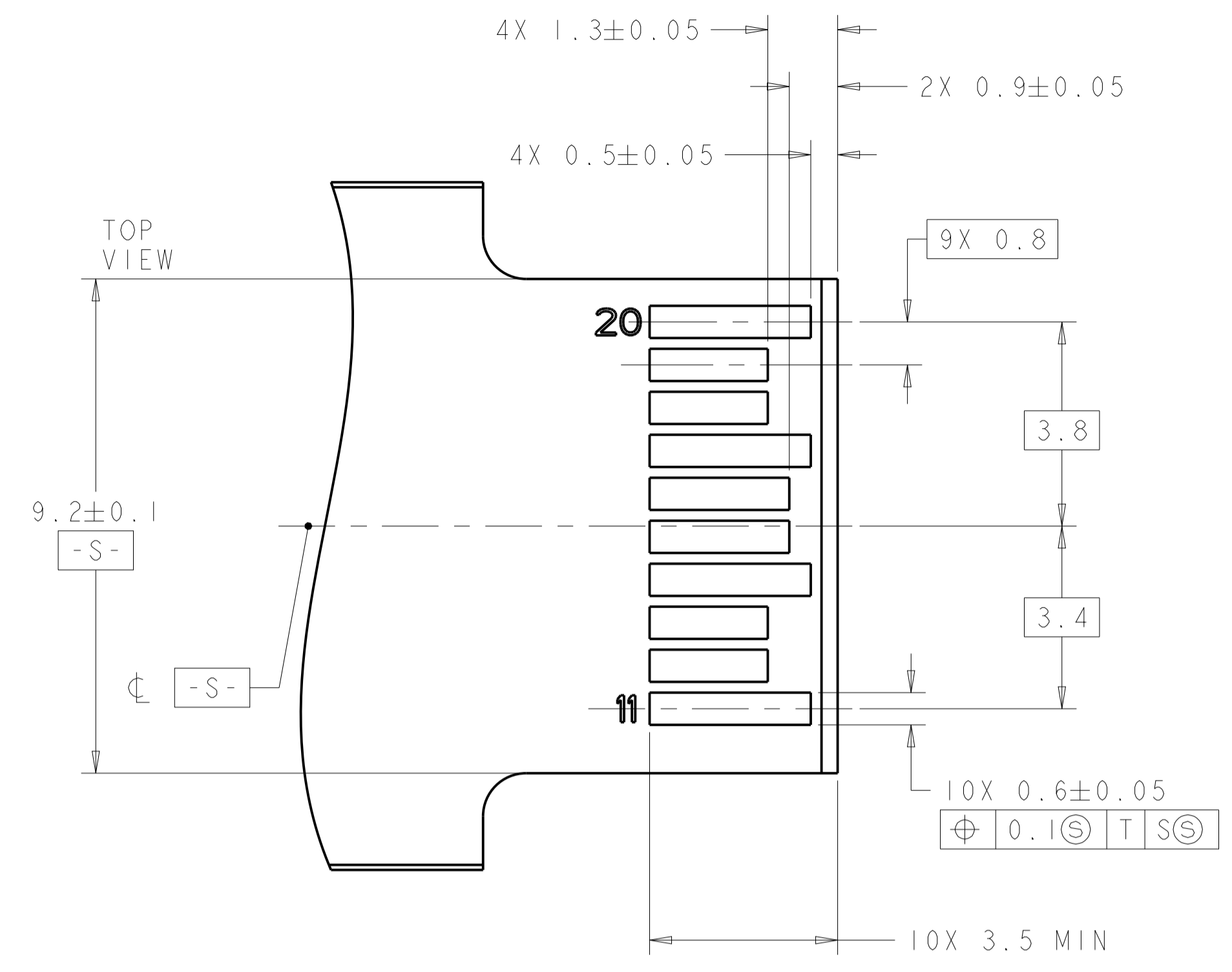


THE HOLE SIZE IS RECOMMENDED ON THE PAGE 4 (TOP OF FIGURE2 FOR CONNECTOR) OF THE TE DOCUMENT 114-13103
 $\varnothing 0.08M | D(S) | E(S)$
 40 HOLES

DETAIL H
RECOMMENDED PT CONNECTOR CONFIGURATION
6X INDIVIDUALLY
SCALE 8:1

THIS DRAWING IS A CONTROLLED DOCUMENT.		OWN: M.E. CONNER 18-FEB-09	TE Connectivity										
DIMENSIONS: mm		CHK: R.R. HENRY 18-FEB-09											
TOLERANCES UNLESS OTHERWISE SPECIFIED:		APVD: R.R. HENRY 18-FEB-09	NAME: 2X6 CONNECTOR ASSEMBLY										
<table border="1"> <tr><td>0 PLC</td><td>±</td></tr> <tr><td>2 PLC</td><td>±0.1</td></tr> <tr><td>3 PLC</td><td>±</td></tr> <tr><td>4 PLC</td><td>±</td></tr> <tr><td>ANGLES</td><td>±</td></tr> </table>		0 PLC	±	2 PLC	±0.1	3 PLC	±	4 PLC	±	ANGLES	±	PRODUCT SPEC: 108-2161	RESTRICTED TO: -
0 PLC	±												
2 PLC	±0.1												
3 PLC	±												
4 PLC	±												
ANGLES	±												
MATERIAL: -		APPLICATION SPEC: 114-13103	SIZE: A1										
FINISH: -		WEIGHT: -	CAGE CODE: 1658894										
CUSTOMER DRAWING		SCALE: 4:1	SHEET: 2 OF 3										

LOC	DIST	REVISIONS			
		REV	DATE	BY	APPV
ES	00	-	SEE SHEET 1	-	-



RECOMMENDED LAYOUT FOR
MATING TRANSCEIVER PCB
SCALE 11:1

THIS DRAWING IS A CONTROLLED DOCUMENT.		OWN: M.E. CONNER 18-FEB-09	TE Connectivity	
DIMENSIONS: mm		CHK: R.R. HENRY 18-FEB-09		
TOLERANCES UNLESS OTHERWISE SPECIFIED:		APVD: R.R. HENRY 18-FEB-09	NAME: 2X6 CONNECTOR ASSEMBLY	
0 PLC ±		PRODUCT SPEC: 108-2161	LOW PROFILE, PRESS FIT, STACKED SFP	
1 PLC ±0.1		APPLICATION SPEC: 114-13103	SIZE: A1	
2 PLC ±		WEIGHT: -	CAGE CODE: 1658894	
3 PLC ±		CUSTOMER DRAWING	SCALE: 11:1	
4 PLC ±			SHEET 3 OF 3	
ANGLES ±			REV: D1	
FINISH -				