



Chipsmall Limited consists of a professional team with an average of over 10 year of expertise in the distribution of electronic components. Based in Hongkong, we have already established firm and mutual-benefit business relationships with customers from,Europe,America and south Asia,supplying obsolete and hard-to-find components to meet their specific needs.

With the principle of “Quality Parts,Customers Priority,Honest Operation,and Considerate Service”,our business mainly focus on the distribution of electronic components. Line cards we deal with include Microchip,ALPS,ROHM,Xilinx,Pulse,ON,Everlight and Freescale. Main products comprise IC,Modules,Potentiometer,IC Socket,Relay,Connector.Our parts cover such applications as commercial,industrial, and automotives areas.

We are looking forward to setting up business relationship with you and hope to provide you with the best service and solution. Let us make a better world for our industry!



Contact us

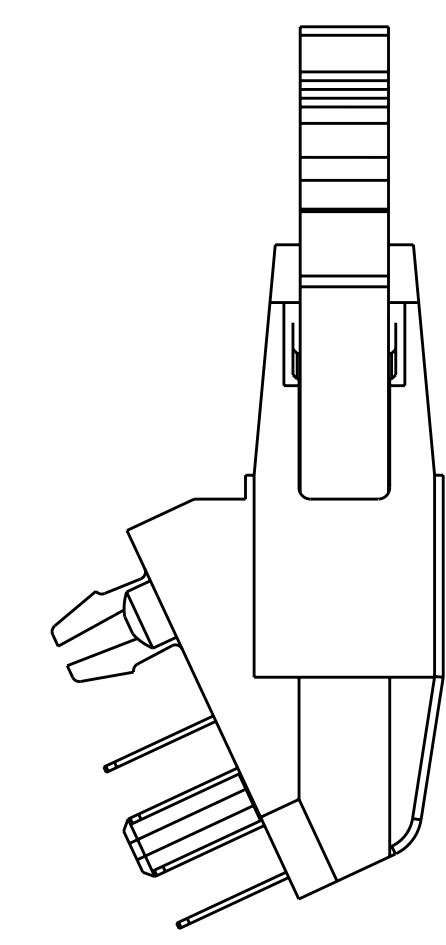
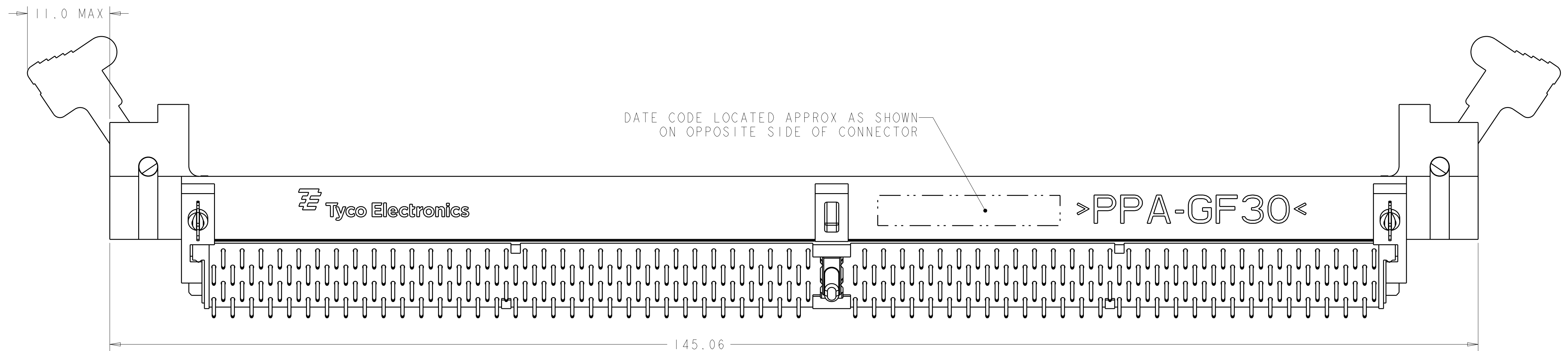
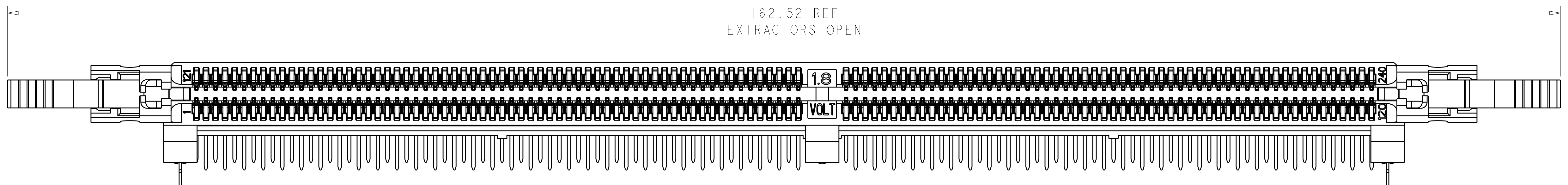
Tel: +86-755-8981 8866 Fax: +86-755-8427 6832

Email & Skype: info@chipsmall.com Web: www.chipsmall.com

Address: A1208, Overseas Decoration Building, #122 Zhenhua RD., Futian, Shenzhen, China

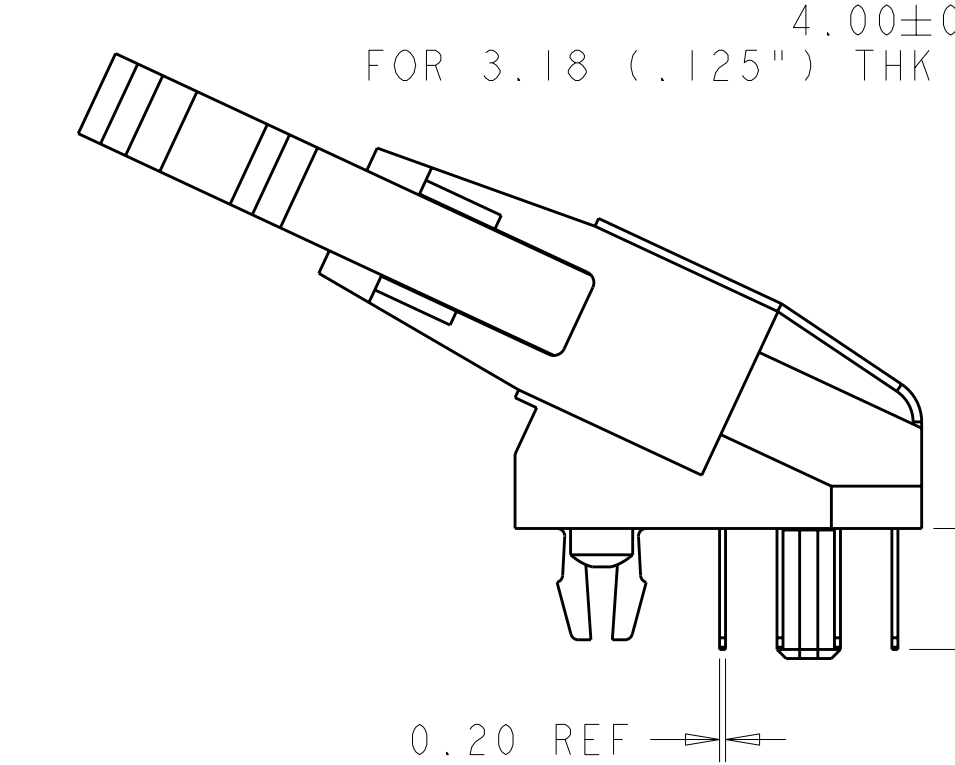
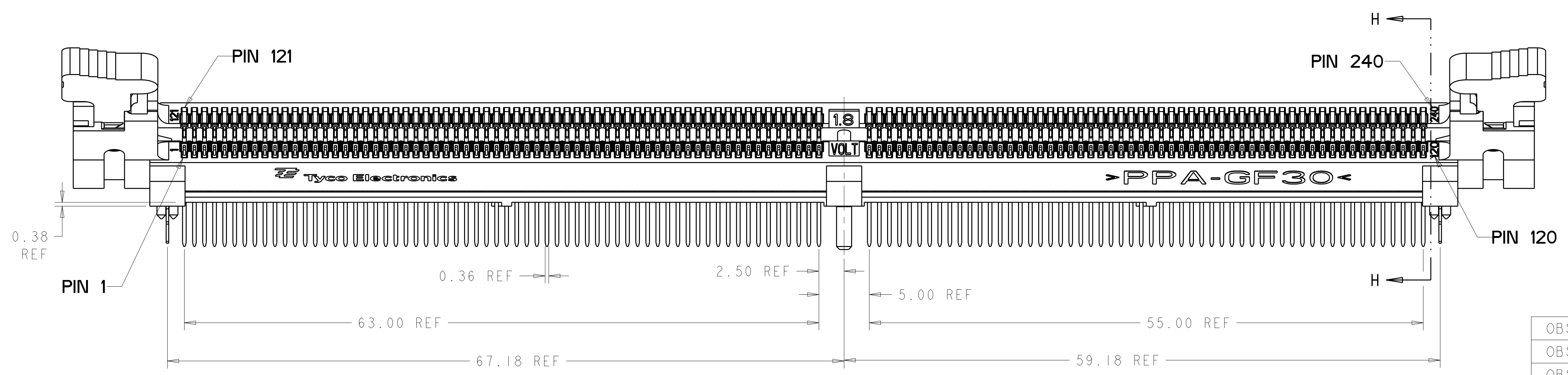


LOC	DIST	REVISIONS			
P	LTR	DESCRIPTION	DATE	OWN	APVD
A3		REVISED PER ECO-11-005033	09MAY2011	RK	HMR
A4		ECR-11-013206	27JUN2011	D.P	C.W



TAIL LENGTHS

- 2.67±0.25
FOR 1.60 (.063") THK PCB
- 3.18±0.25
FOR 2.36 (.093") THK PCB
- 4.00±0.25
FOR 3.18 (.125") THK PCB



- 1 MATERIALS:
HOUSING: HIGH TEMPERATURE THERMOPLASTIC, BLACK, UL94 V-0
EXTRACTOR: HIGH TEMPERATURE THERMOPLASTIC, NATURAL (OFF WHITE)
CONTACTS: COPPER ALLOY
RETENTION BARB: COPPER ALLOY
- 2 INTERFACE FINISH:
0.00076 MIN THK GOLD OVER 0.00127 MIN THK NICKEL.
0.00038 MIN THK GOLD OVER 0.00127 MIN THK NICKEL.
- 3 SOLDER TAIL FINISH:
0.00300 MIN THK MATTE LEAD FREE PLATING OVER 0.00127 MIN THK NICKEL.
- 4 RIGHT HOLE IS GLOBAL D-E ORIGIN FOR ALL POSITIONAL TOLERANCES.
LEFT AND RIGHT NON-PLATED THRU HOLES ESTABLISH [-E-].
- 5 FINISHED HOLE SIZE. Ø0.15 MAXIMUM ANNULAR RING.

- 6 DATUM [-F-] IS CONNECTOR SIDE SURFACE OF PCB.
- 7 PORE BLOCKER APPLIED TO CONTACT INTERFACE

	CONTACT GOLD INTERFACE	TAIL LENGTH	PART NUMBER
OBSOLETE	0.00008 MIN Δ	4.00	1658912-9
OBSOLETE	0.00008 MIN Δ	3.18	1658912-8
OBSOLETE	0.00008 MIN Δ	2.67	1658912-7
	0.00038 MIN Δ	4.00	1658912-6
	0.00038 MIN Δ	3.18	1658-12-5
OBSOLETE	0.00038 MIN Δ	2.67	1658912-4
	0.00076 MIN Δ	4.00	1658912-3
	0.00076 MIN Δ	3.18	1658912-2
	0.00076 MIN Δ	2.67	1658912-1

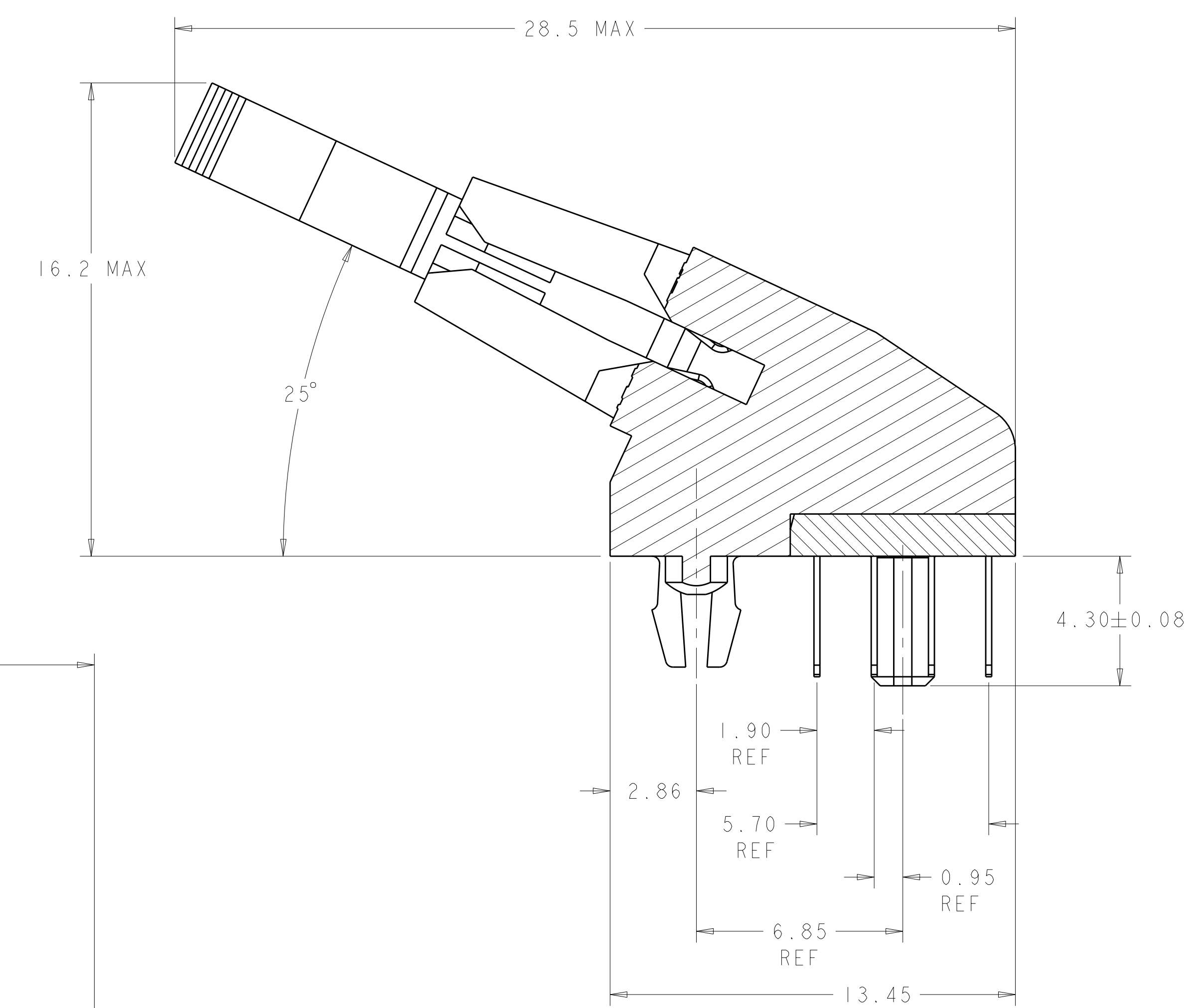
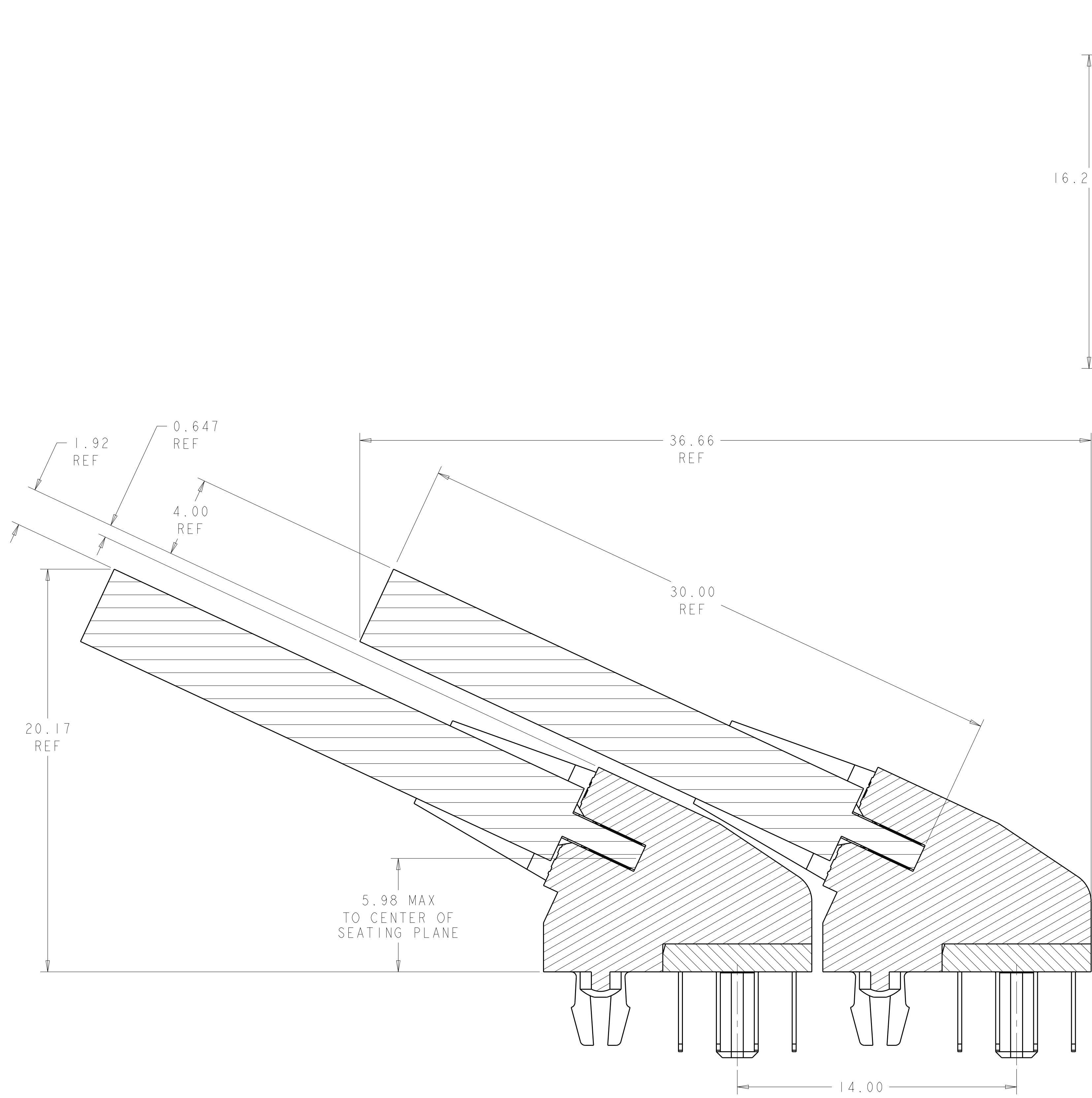
THIS DRAWING IS A CONTROLLED DOCUMENT.

DIMENSIONS:	TOLERANCES UNLESS OTHERWISE SPECIFIED:	OWN: D. RINGLER 28OCT2003	DATE: 28OCT2003
mm	9 PLC ±0.25	CHK: J. McCLELLAN 29OCT2003	NAME: J. McCLELLAN
	1 PLC ±0.15	APVD: J. McCLELLAN 29OCT2003	PRODUCT SPEC: 108-2168
	3 PLC ±0.013	APPLICATION SPEC: 114-13130	SIZE: CAGE CODE DRAWING NO. RESTRICTED TO
	4 PLC ±0.01	WEIGHT: -	A100779C=1658912
	ANGLES ±#1	CUSTOMER DRAWING	SCALE: 1:1 SHEET 1 OF 3 REV: A4

STE TE Connectivity

SOCKET ASSEMBLY
25 DEGREE DDR 11 DIMM
240 POSITION, STANDARD FOOTPRINT

LOC	DIST	REV	DATE	BY	APPD
ES	00				
DESCRIPTION			DATE	DWN	APPD
SEE SHEET 1					



SECTION H-H
SCALE 8:1

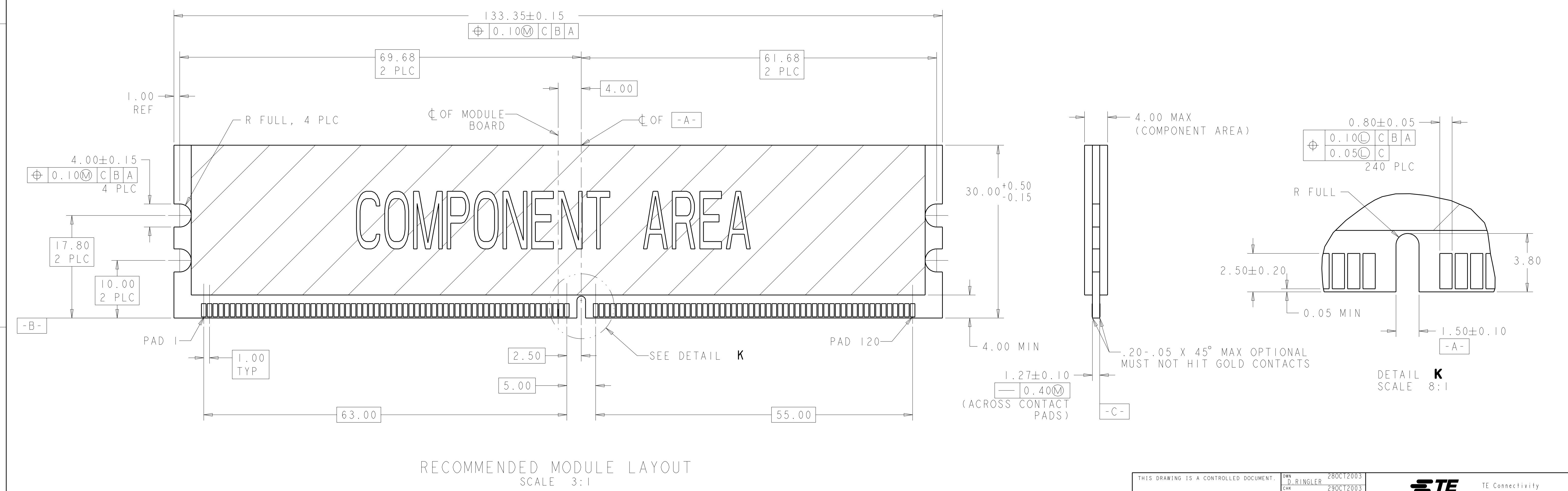
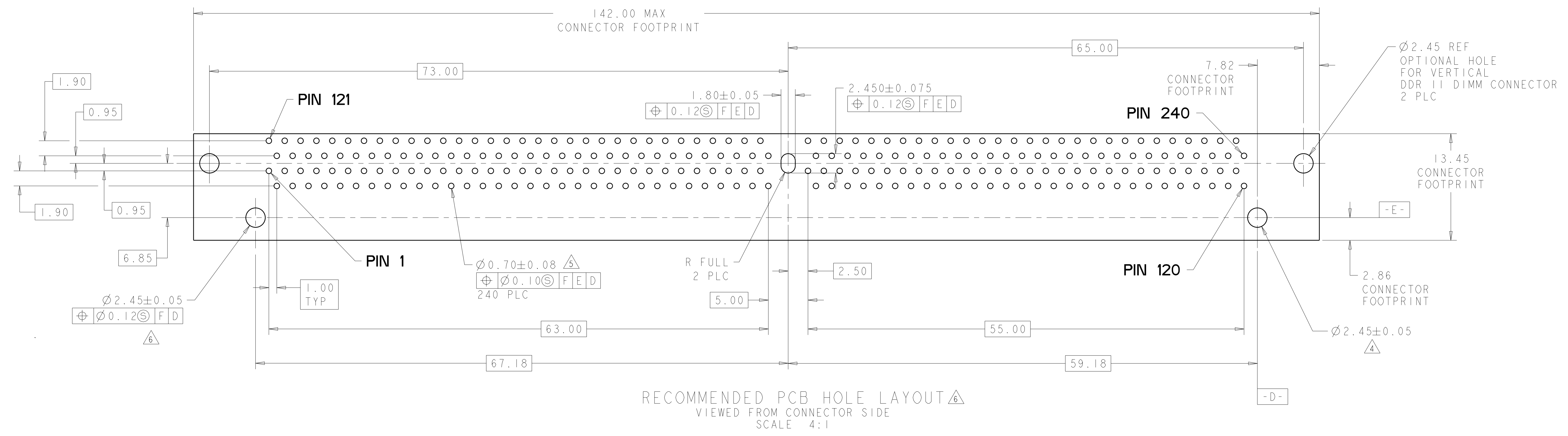
MINIMUM RECOMMENDED ROW TO ROW SPACING FOR 4mm THICK MODULE

SCALE 8:1

THIS DRAWING IS A CONTROLLED DOCUMENT.		DWN D. RINGLER 28OCT2003	TE Connectivity
DIMENSIONS: mm		CHK J. McCLELLAN 29OCT2003	
TOLERANCES UNLESS OTHERWISE SPECIFIED:		APVD J. McCLELLAN 29OCT2003	NAME
0 PLC ±	1 PLC ±0.25	PRODUCT SPEC	SOCKET ASSEMBLY
2 PLC ±0.15	3 PLC ±0.13	APPLICATION SPEC	25 DEGREE DDR II DIMM
4 PLC ±	ANGLES ±#1	SIZE CAGE CODE DRAWING NO	240 POSITION, STANDARD FOOTPRINT
MATERIAL	FINISH	WEIGHT	A100779C=1658912
CUSTOMER DRAWING		SCALE 1:1	SHEET 2 OF 3 REV A4

LOC	DIST	REV	DATE	BY	APPD
ES	00				

REVISIONS		DATE	BY	APPD
1	SEE SHEET 1			



THIS DRAWING IS A CONTROLLED DOCUMENT.		DWN D. RINGLER 28OCT2003	TE Connectivity
DIMENSIONS: mm		CHK J. McCLELLAN 29OCT2003	
TOLERANCES UNLESS OTHERWISE SPECIFIED:		APVD J. McCLELLAN 29OCT2003	NAME SOCKET ASSEMBLY
9 PLC	±0.25	PRODUCT SPEC	25 DEGREE DDR II DIMM
1 PLC	±0.15	APPLICATION SPEC	240 POSITION, STANDARD FOOTPRINT
3 PLC	±0.013	SIZE	CAGE CODE DRAWING NO
4 PLC	±0.013	WEIGHT	RESTRICTED TO
ANGLES	±#1	FINISH	
MATERIAL		114-13130	A100779C=1658912
FINISH			SCALE 1:1 SHEET 3 OF 3 REV A4
CUSTOMER DRAWING			