



Chipsmall Limited consists of a professional team with an average of over 10 year of expertise in the distribution of electronic components. Based in Hongkong, we have already established firm and mutual-benefit business relationships with customers from,Europe,America and south Asia,supplying obsolete and hard-to-find components to meet their specific needs.

With the principle of “Quality Parts,Customers Priority,Honest Operation,and Considerate Service”,our business mainly focus on the distribution of electronic components. Line cards we deal with include Microchip,ALPS,ROHM,Xilinx,Pulse,ON,Everlight and Freescale. Main products comprise IC,Modules,Potentiometer,IC Socket,Relay,Connector.Our parts cover such applications as commercial,industrial, and automotives areas.

We are looking forward to setting up business relationship with you and hope to provide you with the best service and solution. Let us make a better world for our industry!



Contact us

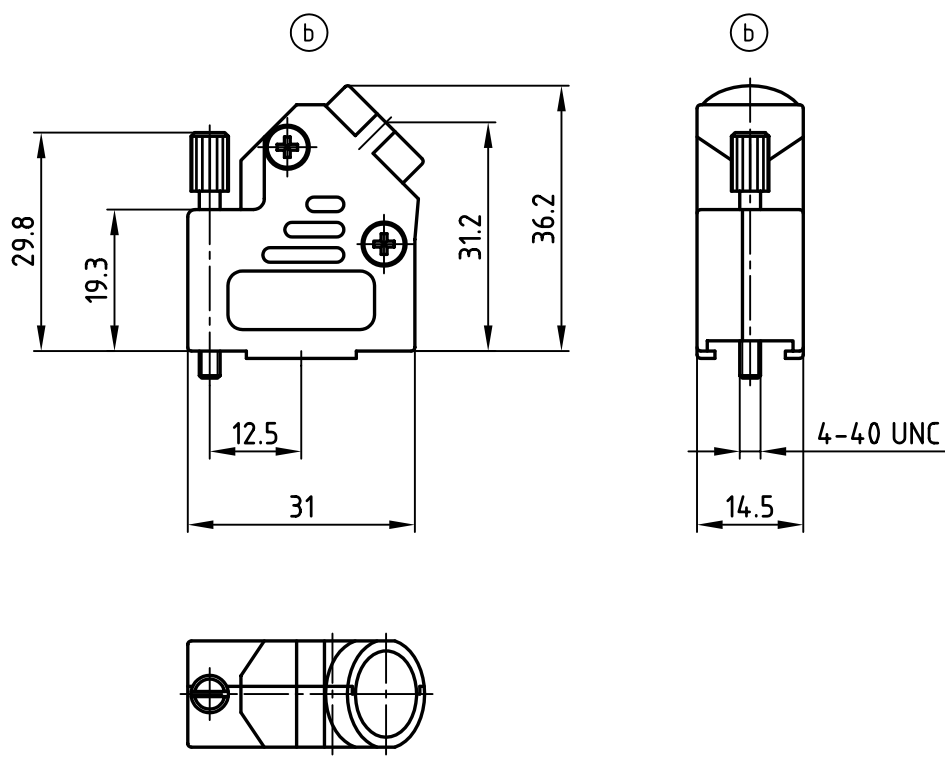
Tel: +86-755-8981 8866 Fax: +86-755-8427 6832

Email & Skype: info@chipsmall.com Web: www.chipsmall.com

Address: A1208, Overseas Decoration Building, #122 Zhenhua RD., Futian, Shenzhen, China

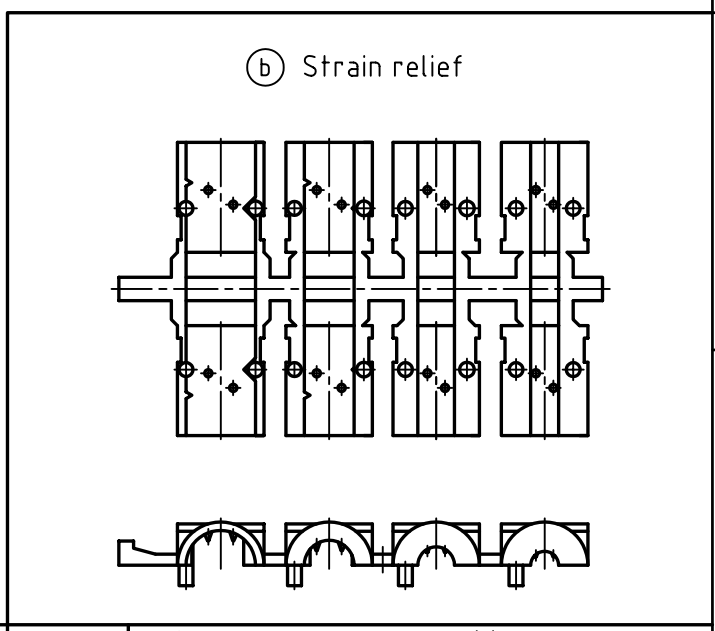


used for: D-SUB



Part No. Bulk package	Part No. Single package
165X02689X	165X02689XE

Directive 2002/95/EC
"RoHS"
Compliant



THIS DRAWING MAY NOT BE COPIED OR REPRODUCED IN ANY WAY, AND MAY NOT BE PASSED ON TO A THIRD PARTY WITHOUT WRITTEN PERMISSION.
OWNERSHIP AND COPYRIGHT OF CONEC GmbH
DO NOT ALTER CAD DRAWING BY HAND

tolerance			
2000	date	name	
drawn	02.10.	Parei	
appd.	02.10.	Resonnek	
norm			
2 x c	Ä 2754	23.07.2007	Lehmen
3 x b	Ä 2480	06.04.2006	Lehmen
a	Origin		
rev.	description	date	name



scale:	1:1	
material:		
title:	D-SUB METALHOOD DVZK Serie 9pos.	
dwg no:	AutoCAD 2006	DIN-A
	16K1A058A	4
product no:	SEE TABLE	

sh: 1/1