



Chipsmall Limited consists of a professional team with an average of over 10 year of expertise in the distribution of electronic components. Based in Hongkong, we have already established firm and mutual-benefit business relationships with customers from,Europe,America and south Asia,supplying obsolete and hard-to-find components to meet their specific needs.

With the principle of “Quality Parts,Customers Priority,Honest Operation,and Considerate Service”,our business mainly focus on the distribution of electronic components. Line cards we deal with include Microchip,ALPS,ROHM,Xilinx,Pulse,ON,Everlight and Freescale. Main products comprise IC,Modules,Potentiometer,IC Socket,Relay,Connector.Our parts cover such applications as commercial,industrial, and automotives areas.

We are looking forward to setting up business relationship with you and hope to provide you with the best service and solution. Let us make a better world for our industry!



## Contact us

Tel: +86-755-8981 8866 Fax: +86-755-8427 6832

Email & Skype: info@chipsmall.com Web: www.chipsmall.com

Address: A1208, Overseas Decoration Building, #122 Zhenhua RD., Futian, Shenzhen, China



4 3 2 1

F

E

D

C

B

A

F

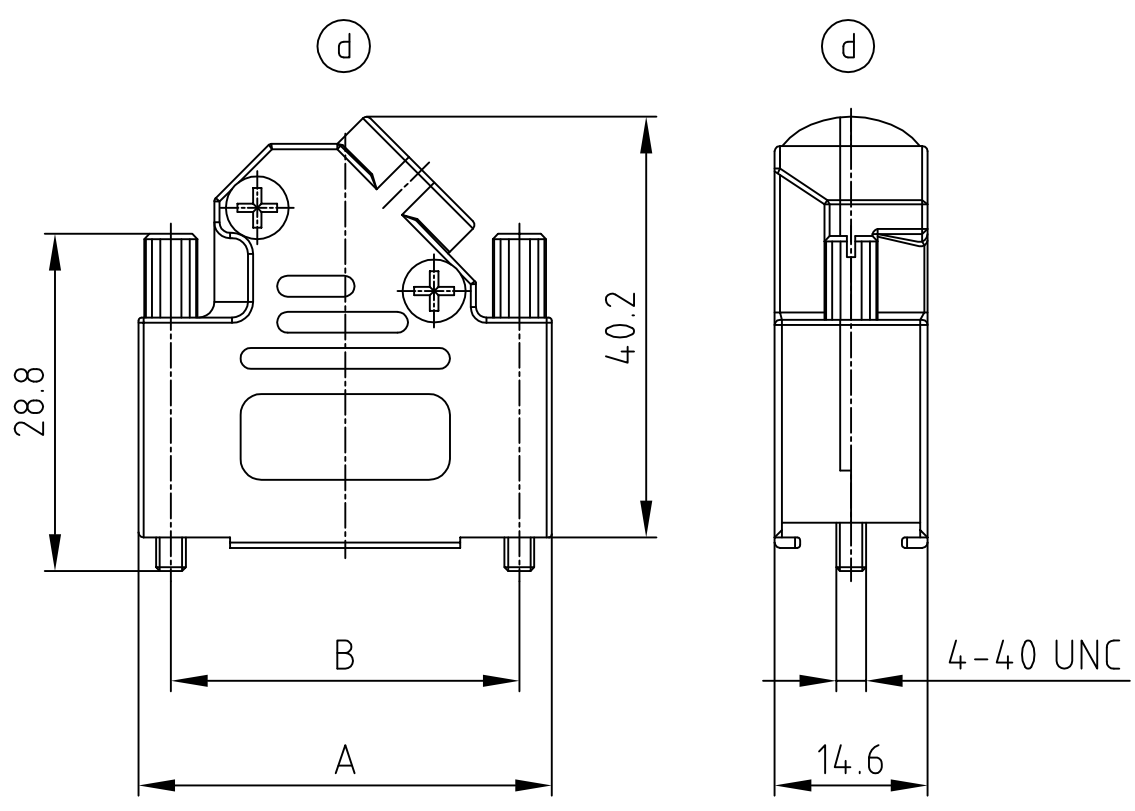
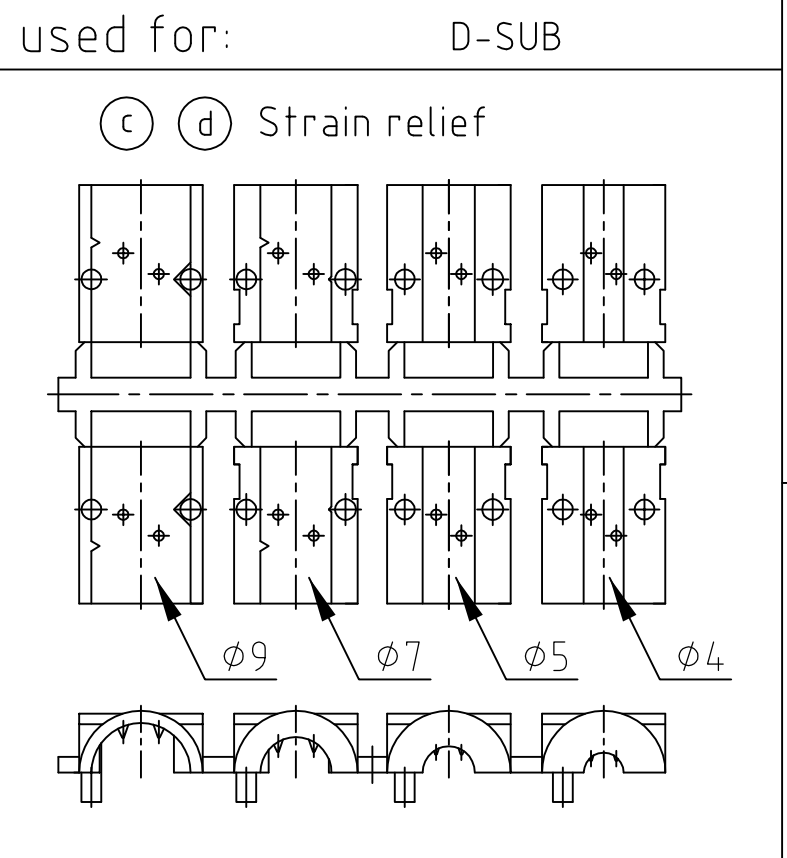
E

D

C

B

A



No. of pos.	A	B	Part No.
15	39.3	33.3	165X02699X
25	53.2	47.0	165X02709X
37	69.7	63.5	165X02719X

(d) TECHNICAL DATA:

- BACKSHELL HALVES: ZINC DIE-CAST; NICKEL PLATED
- ASSEMBLY SCREWS: STEEL; TIN PLATED
- JACK SCREWS: STEEL; TIN PLATED
- CABLE STRAIN RELIEF: PC
- TEMPERATURE RANGE: -40°C to +120°C
- ATTENUATION FACTOR: >40dB BETWEEN 30 MHz AND 2 GHz
- ASSEMBLY INSTRUCTION SEE SHEET 2

Directive 2002/95/EC RoHS compliant

THIS DRAWING MAY NOT BE COPIED OR REPRODUCED IN ANY WAY, AND MAY NOT BE PASSED ON TO A THIRD PARTY WITHOUT WRITTEN PERMISSION.  
 OWNERSHIP AND COPYRIGHT OF CONEC GmbH  
 DO NOT ALTER CAD DRAWING BY HAND

tolerance				scale: 1:1	
				material: SEE NOTES	
	2002	date	name		
	drawn	01.03.	Schmidt		
	appd.	01.03.	Mickenbecker		
6 x d	Ä 4171	03.01.2012	Lehmen.	norm	DIN 41652
2 x c	Ä 2754	23.07.2007	Lehmen.	d-old	Kat119PA
1 x b	Ä 2480	06.04.2006	Lehmen.		
a	Original				
rev.	description	date	name		



title: METAL HOOD  
15-37pos. EMI/RFI SHIELDING  
with side cable entry and jack screws 4-40 UNC

dwg no: AutoCAD DIN-A  
16K1A622 4  
sh:1/2

part no: SEE TABLE

4 3 2 1

4

3

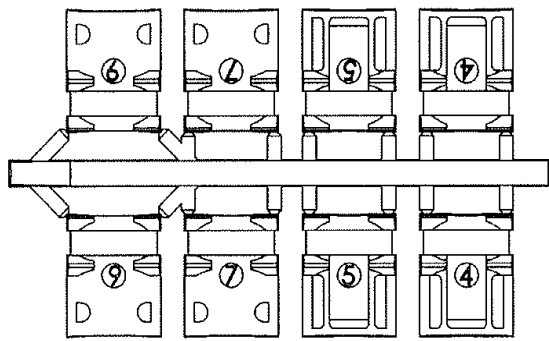
2

1

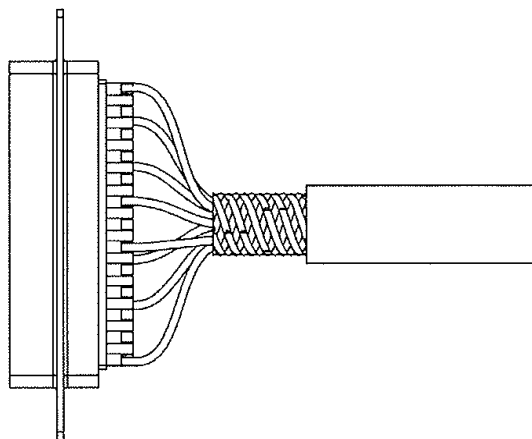
used for: D-SUB

### ASSEMBLY INSTRUCTION:

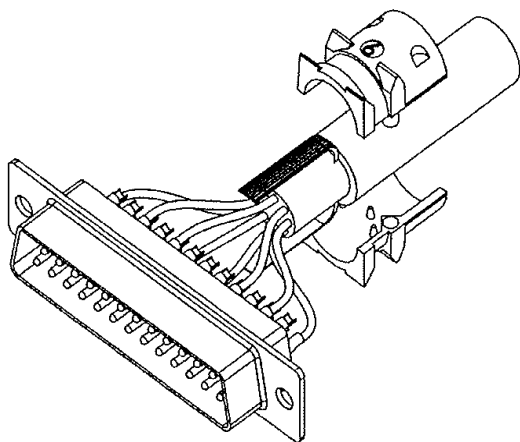
Use two halves of strain relief  
different sizes can be mixed



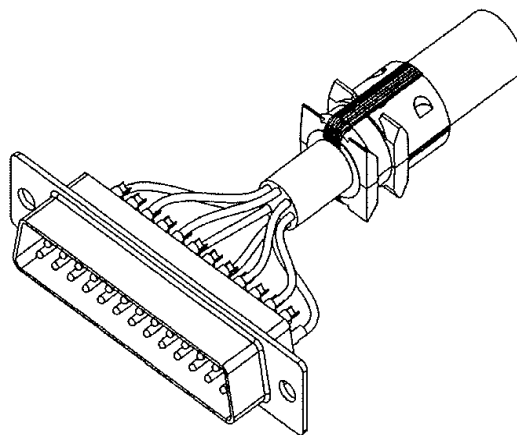
Strip cable 18mm and  
shape cable to two pigtails



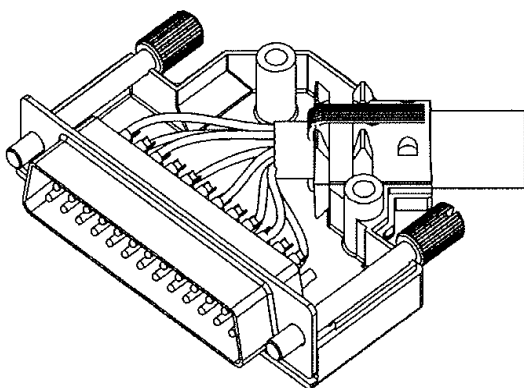
Attach the strain relief around the cable



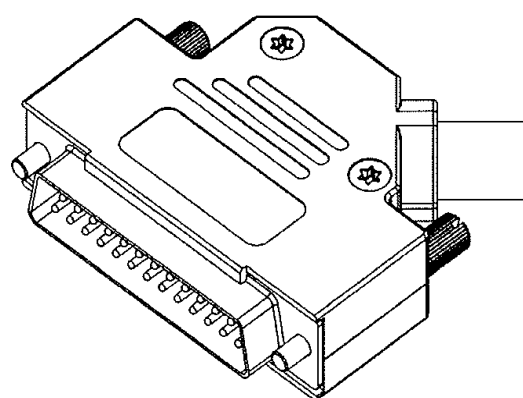
Bend cable shielding back  
on outside of strain relief



Mount connector and cable  
into the backshell



Assemble the other half  
screwing force: 100-120 Ncm.



THIS DRAWING MAY NOT BE COPIED OR REPRODUCED IN ANY WAY, AND MAY NOT BE PASSED ON TO A THIRD PARTY WITHOUT WRITTEN PERMISSION.  
OWNERSHIP AND COPYRIGHT OF CONEC GmbH  
DO NOT ALTER CAD DRAWING BY HAND

				tolerance			scale:	
				dim. in mm			material:	
				2012	date	name	title: ASSEMBLY INSTRUCTION METAL HOOD 15-37pos. EMI/RFI SHIELDING with side cable entry and jack screws 4-40 UNC	
				drawn	03.01.	Lehmenkühler		
				appd.	03.01.	Fischer		
				norm				
				d-old				
a	Original			<b>CONEC</b> <sup>®</sup>			dwg no:	DIN-A 4
rev.	description	date	name				part no:	SEE SHEET 1

4

3

2

1