



Chipsmall Limited consists of a professional team with an average of over 10 year of expertise in the distribution of electronic components. Based in Hongkong, we have already established firm and mutual-benefit business relationships with customers from,Europe,America and south Asia,supplying obsolete and hard-to-find components to meet their specific needs.

With the principle of “Quality Parts,Customers Priority,Honest Operation,and Considerate Service”,our business mainly focus on the distribution of electronic components. Line cards we deal with include Microchip,ALPS,ROHM,Xilinx,Pulse,ON,Everlight and Freescale. Main products comprise IC,Modules,Potentiometer,IC Socket,Relay,Connector.Our parts cover such applications as commercial,industrial, and automotives areas.

We are looking forward to setting up business relationship with you and hope to provide you with the best service and solution. Let us make a better world for our industry!



Contact us

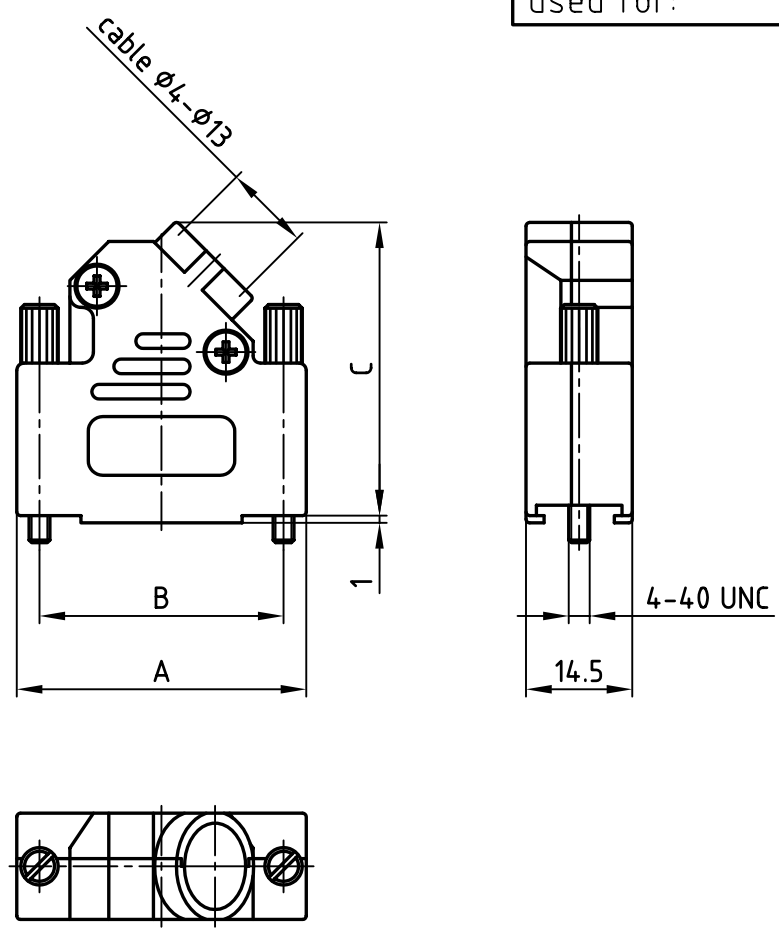
Tel: +86-755-8981 8866 Fax: +86-755-8427 6832

Email & Skype: info@chipsmall.com Web: www.chipsmall.com

Address: A1208, Overseas Decoration Building, #122 Zhenhua RD., Futian, Shenzhen, China



used for: D-SUB



Directive 2002/95/EC
"RoHS"
Compliant

No. of pos.	A	B	C	Part NO.
9	31.0	25.0	36.2	165X02689XE
15	39.5	33.3	40.2	165X02699XE
25	53.2	47.0	40.2	165X02709XE
37	69.7	63.5	40.2	165X02719XE

APPROVAL # FREIGABE # DEBLOCAGE # AUTORIZACION # APPROVAL

CUSTOMER APPROVAL DATE:

NAME: TITLE:

COMPANY NAME:

APPROVAL # FREIGABE # DEBLOCAGE # AUTORIZACION # APPROVAL

Technical Data:

Material and finish: zinc die-cast, nickel plated
 Cable strain relief: steel fibre reinforced polycarbonate UL 94 V-0
 Temperature range: -40°C to +120°C
 Attenuation factor: > 40dB between 30 MHz and 1 GHz

THIS DRAWING MAY NOT BE COPIED OR REPRODUCED IN ANY WAY, AND MAY NOT BE PASSED ON TO A THIRD PARTY WITHOUT WRITTEN PERMISSION.
 OWNERSHIP AND COPYRIGHT OF CONEC GmbH
 DO NOT ALTER CAD DRAWING BY HAND

rev.	description	date	name
a	Origin		

2006	date	name
drawn	09.02.	Lehmenkühler
appd.	09.02.	Mickenbecker
norm	DIN 41652	
d-old		



tolerance	scale: 1:1
dim. in mm	material: SEE NOTES
title: METAL HOOD 9-37pos. EMI/RFI SHIELDING with side cable exit and jack screws	
dwg no: 16K1A1745	AutoCAD 2004
part no: SEE TABLE	DIN-A 4 sh: 1/1