



Chipsmall Limited consists of a professional team with an average of over 10 year of expertise in the distribution of electronic components. Based in Hongkong, we have already established firm and mutual-benefit business relationships with customers from,Europe,America and south Asia,supplying obsolete and hard-to-find components to meet their specific needs.

With the principle of “Quality Parts,Customers Priority,Honest Operation,and Considerate Service”,our business mainly focus on the distribution of electronic components. Line cards we deal with include Microchip,ALPS,ROHM,Xilinx,Pulse,ON,Everlight and Freescale. Main products comprise IC,Modules,Potentiometer,IC Socket,Relay,Connector.Our parts cover such applications as commercial,industrial, and automotives areas.

We are looking forward to setting up business relationship with you and hope to provide you with the best service and solution. Let us make a better world for our industry!



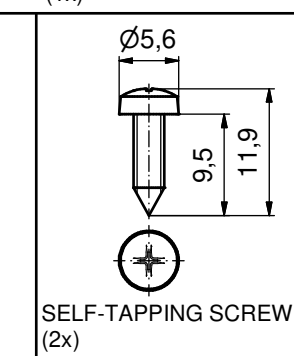
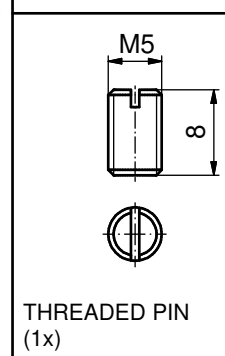
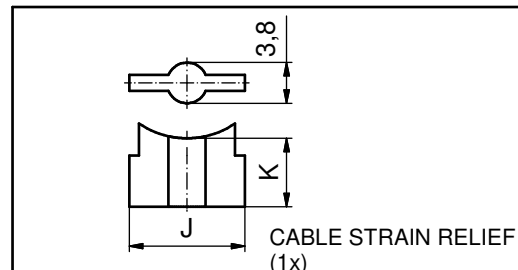
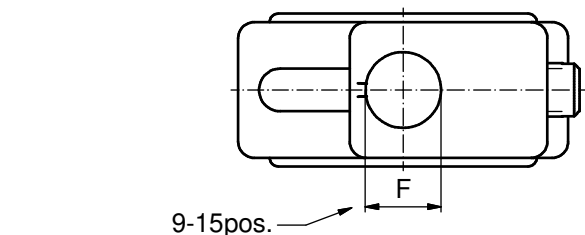
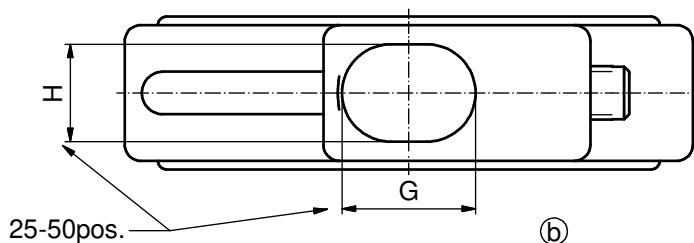
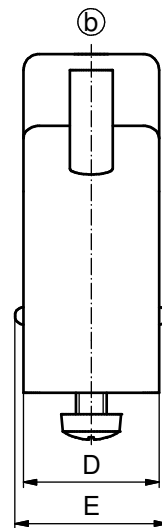
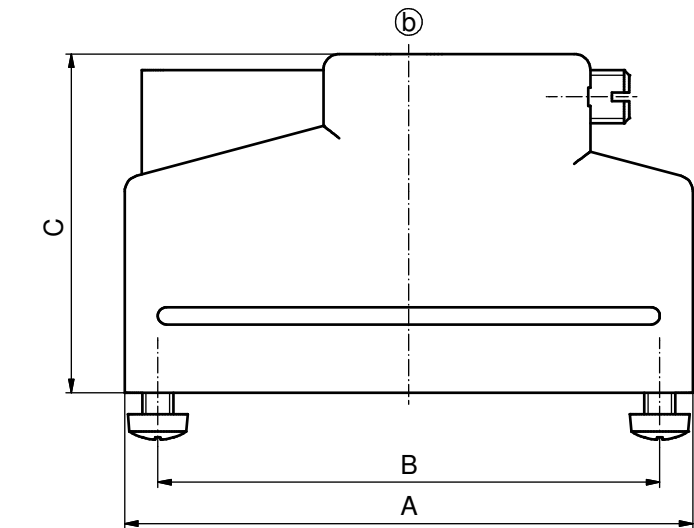
Contact us

Tel: +86-755-8981 8866 Fax: +86-755-8427 6832

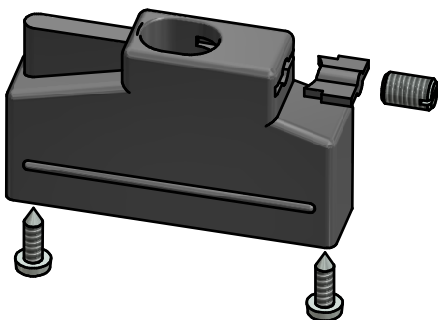
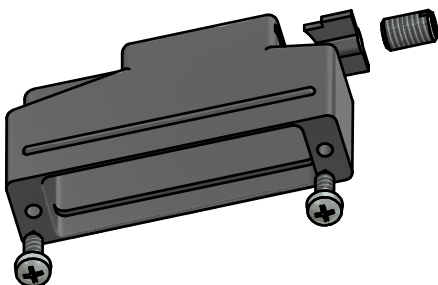
Email & Skype: info@chipsmall.com Web: www.chipsmall.com

Address: A1208, Overseas Decoration Building, #122 Zhenhua RD., Futian, Shenzhen, China





POS.	A	B	C	D	E	F	G	H	J	K	PART-NO.
9	30.9	25.0	25.4	12.7	14.3	7.1	---	---	10.8	5.0	165X10389X
15	39.3	33.3	25.4	12.7	14.3	9.1	---	---	10.8	5.0	165X10399X
25	53.2	47.0	31.7	12.7	14.3	---	12.5	9.1	10.8	6.4	165X10409X
37	69.4	63.5	38.1	12.7	14.3	---	17.6	9.1	10.8	11.0	165X10419X
50	67.1	61.1	38.1	15.5	17.0	---	18.6	11.9	13.8	11.4	165X10429X



RoHS compliant

NOTES:

- HOOD: POLYAMIDE 6 UL 94 V-0; BLACK
- CABLE STRAIN RELIEF: POLYAMIDE 6 UL 94 V-0; BLACK
- THREADED PIN: STEEL; ZINC PLATED
- SELF-TAPPING SCREWS: STEEL; ZINC PLATED
- OPERATING TEMPERATURE: -40°C to +125°C

THIS DRAWING MAY NOT BE COPIED OR REPRODUCED IN ANY WAY, AND MAY NOT BE PASSED ON TO A THIRD PARTY WITHOUT WRITTEN PERMISSION. OWNERSHIP AND COPYRIGHT OF CONEC GmbH				tolerance		dim. in mm	scale: 2:1	
				DO NOT ALTER CAD DRAWING BY HAND			material: SEE NOTES	
		date		name		title: D-SUB PLASTIC HOOD ONE-PIECE HOOD WITH STRAIGHT CABLE ENTRY 9-50pos.		
		drawn 12.01.96		Barcinski				
		appd. 12.01.96		ABA				
		norm		d-old		dwg no:		DIN-A3 sh: 1
6 x b		Ä5413		03.11.2014		Lehm.		
a		Original						part no: 16V1IT3A
rev.		description		date		name		
								SEE TABLE

