



Chipsmall Limited consists of a professional team with an average of over 10 year of expertise in the distribution of electronic components. Based in Hongkong, we have already established firm and mutual-benefit business relationships with customers from,Europe,America and south Asia,supplying obsolete and hard-to-find components to meet their specific needs.

With the principle of “Quality Parts,Customers Priority,Honest Operation,and Considerate Service”,our business mainly focus on the distribution of electronic components. Line cards we deal with include Microchip,ALPS,ROHM,Xilinx,Pulse,ON,Everlight and Freescale. Main products comprise IC,Modules,Potentiometer,IC Socket,Relay,Connector.Our parts cover such applications as commercial,industrial, and automotives areas.

We are looking forward to setting up business relationship with you and hope to provide you with the best service and solution. Let us make a better world for our industry!



Contact us

Tel: +86-755-8981 8866 Fax: +86-755-8427 6832

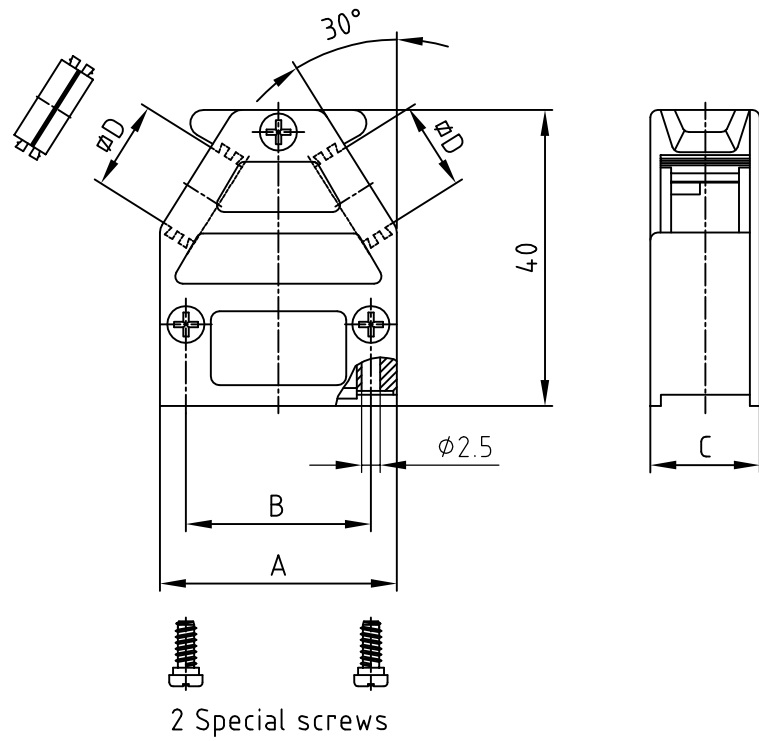
Email & Skype: info@chipsmall.com Web: www.chipsmall.com

Address: A1208, Overseas Decoration Building, #122 Zhenhua RD., Futian, Shenzhen, China

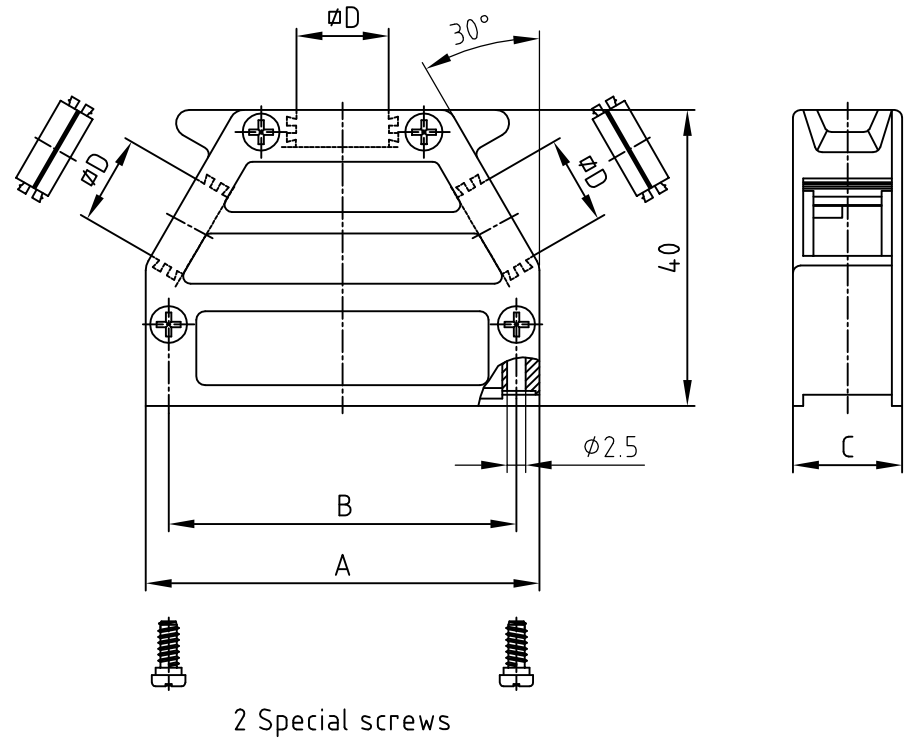


used for: D-SUB

(c) (d)
9pos.



(d)
15-50pos.



(b) (d)

No. of pos.	A	B	C	∅D	PART NO.
9	32.0	25.0	14.8	12.1	165X10819X
15	39.3	33.3	14.8	12.1	165X10829X
25	53.2	47.0	14.8	12.1	165X10839X
(c) 37	69.5	63.5	14.8	12.1	165X10849X
(c) 50	67.0	61.0	17.8	14.6	165X10859X

- (d) Delivery includes:
- Metal hood with cover
 - Metal plug:
 - 9pos.: with 1 metal plug
 - 15-50pos.: with 2 metal plugs
 - Cover screws:
 - 9pos.: with 3 cover screws
 - 15-50pos.: with 4 cover screws
 - 1 Screw for grounding post
 - 2 Special screws
- All screws with self forming threads

Directive 2002/95/EC RoHS compliant

THIS DRAWING MAY NOT BE COPIED OR REPRODUCED IN ANY WAY, AND MAY NOT BE PASSED ON TO A THIRD PARTY WITHOUT WRITTEN PERMISSION. OWNERSHIP AND COPYRIGHT OF CONEC GmbH DO NOT ALTER CAD DRAWING BY HAND

(b)		tolerance		dim. in mm	
4 x d	Ä 4184	16.12.11	Lehm.	norm	
3 x c	Ä 3271	02.02.09	Lehm.	d-old	
2 x b	Ä 3264	29.01.09	Sonne		
a	Original				
rev.	description	date	name		

scale:	1:1	
material:	HOOD + COVER: ZINC DIE-CAST	
title:	METAL HOOD EMI/RFI SHIELDING 9-50pos.	
dwg no:	16K1A136A	DIN-A 3 sh:1/1
part no:	SEE TABLE	

