



Chipsmall Limited consists of a professional team with an average of over 10 year of expertise in the distribution of electronic components. Based in Hongkong, we have already established firm and mutual-benefit business relationships with customers from,Europe,America and south Asia,supplying obsolete and hard-to-find components to meet their specific needs.

With the principle of “Quality Parts,Customers Priority,Honest Operation,and Considerate Service”,our business mainly focus on the distribution of electronic components. Line cards we deal with include Microchip,ALPS,ROHM,Xilinx,Pulse,ON,Everlight and Freescale. Main products comprise IC,Modules,Potentiometer,IC Socket,Relay,Connector.Our parts cover such applications as commercial,industrial, and automotives areas.

We are looking forward to setting up business relationship with you and hope to provide you with the best service and solution. Let us make a better world for our industry!



Contact us

Tel: +86-755-8981 8866 Fax: +86-755-8427 6832

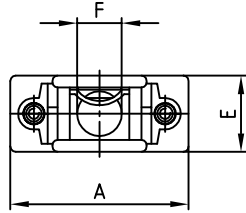
Email & Skype: info@chipsmall.com Web: www.chipsmall.com

Address: A1208, Overseas Decoration Building, #122 Zhenhua RD., Futian, Shenzhen, China

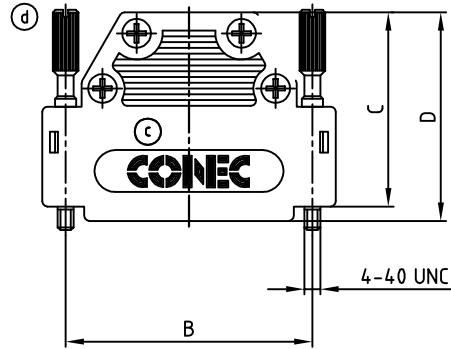
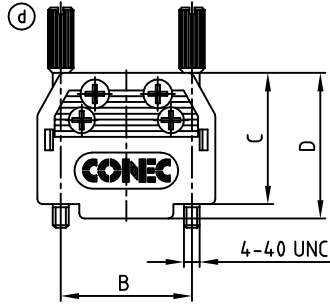
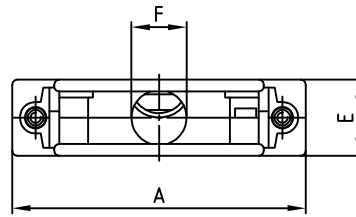


used for: D-SUB

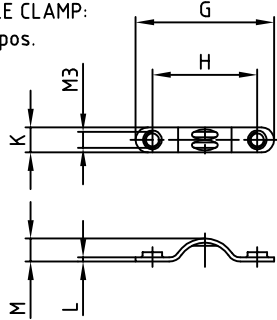
Ⓒ 9pos.



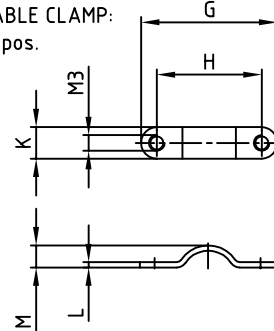
15-50pos.



Ⓑ CABLE CLAMP:
9-37pos.



Ⓑ CABLE CLAMP:
50pos.



POS.	A	B	C	D	E	F	G	H	K	L	M	Part NO.
9	34.0	25.0	25.0	27.75	14.5	8.5	17.6	12.0	4.8	0.8	2.6	165X10909X
15	42.3	33.3	37.0	39.75	14.5	10.0	17.6	12.0	4.8	0.8	2.6	165X10919X
25	56.0	47.0	37.0	39.75	14.5	10.5	26.4	20.0	4.8	0.8	4.4	165X10929X
37	72.5	63.5	37.0	39.75	14.5	10.5	26.4	20.0	4.8	0.8	4.4	165X10939X
50	70.0	61.1	50.0	50.00	21.0	10.5	26.0	20.0	6.0	1.0	4.2	165X10949X

NOTES:

- HOOD MATERIAL: ABS UL94 V0, METALLIZED
- SCREWS: BRASS, NICKEL-PLATING

Ⓑ 3. CABLE CLAMPS: STEEL, NICKEL-PLATING

Ⓓ 4. MAX. MOUNTING TORQUE 0,15 Nm
RECOMMENDED MOUNTING TORQUE 0,1 Nm

RoHS compliant

THIS DRAWING MAY NOT BE COPIED OR REPRODUCED IN ANY WAY, AND MAY NOT BE PASSED ON TO A THIRD PARTY, WITHOUT WRITTEN PERMISSION. OWNERSHIP AND COPYRIGHT OF CONEC GmbH DO NOT ALTER CAD DRAWING BY HAND

rev.	description	date	name	tolerance	dim. in mm
1 x e	Ä6403	09.11.2016	Lehmen	2011	
2 x d	Ä3961	06.04.2011	K.H	drawn	20.06.
2 x c	Ä3525	14.12.2009	Henne	appd.	20.06.
3 x b	Ä1898	08.12.2003	Lehmen	norm	
a	Original			d-old	

CONEC

scale:	2:1
material:	SEE SPECIFICATION
title:	PLASTIC HOOD 9-50pos.
dwg no:	16K1A972
part no:	SEE TABLE

DIN-A
3
sh: 1/1