



Chipsmall Limited consists of a professional team with an average of over 10 year of expertise in the distribution of electronic components. Based in Hongkong, we have already established firm and mutual-benefit business relationships with customers from,Europe,America and south Asia,supplying obsolete and hard-to-find components to meet their specific needs.

With the principle of "Quality Parts,Customers Priority,Honest Operation,and Considerate Service",our business mainly focus on the distribution of electronic components. Line cards we deal with include Microchip,ALPS,ROHM,Xilinx,Pulse,ON,Everlight and Freescale. Main products comprise IC,Modules,Potentiometer,IC Socket,Relay,Connector.Our parts cover such applications as commercial,industrial, and automotives areas.

We are looking forward to setting up business relationship with you and hope to provide you with the best service and solution. Let us make a better world for our industry!



Contact us

Tel: +86-755-8981 8866 Fax: +86-755-8427 6832

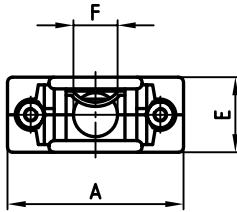
Email & Skype: info@chipsmall.com Web: www.chipsmall.com

Address: A1208, Overseas Decoration Building, #122 Zhenhua RD., Futian, Shenzhen, China

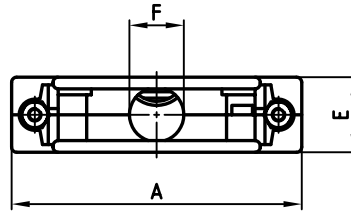


used for: D-SUB

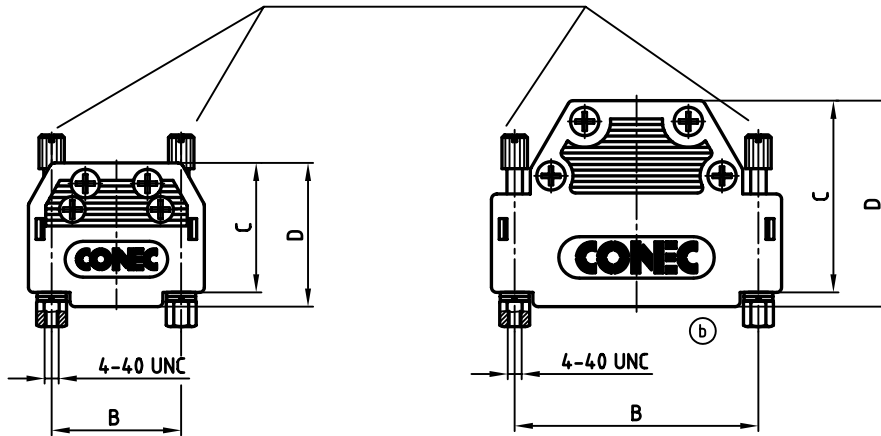
9 pos.



15-37 pos.

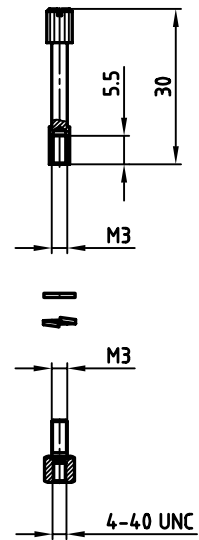


SEE DETAIL VIEW



DETAIL VIEW

SCREW LOCK



No. of pos.	A	B	C	D	E	F	Part No:
9	34.0	25.0	25.0	27.75	14.5	8.5	165X11009X
15	42.3	33.3	37.0	39.75	14.5	10.0	165X11019X
25	56.0	47.0	37.0	39.75	14.5	10.5	165X11029X
37	72.5	63.5	37.0	39.75	14.5	10.5	165X11039X

(b)

Directive 2002/95/EC
"RoHS"
Compliant

NOTES:

- HOOD MATERIAL: ABS V0 / METALLIZED
- SCREWLOCK: MATERIAL: BRASS NICKEL-PLATING

APPROVAL * FREIGABE * DEBLOCAGE * AUTORIZACION * APPROVAL

CUSTOMER APPROVAL DATE:

NAME: TITLE:

COMPANY NAME:

APPROVAL * FREIGABE * DEBLOCAGE * AUTORIZACION * APPROVAL

THIS DRAWING MAY NOT BE COPIED OR REPRODUCED IN ANY WAY, AND MAY NOT BE PASSED ON TO A THIRD PARTY, WITHOUT WRITTEN PERMISSION. OWNERSHIP AND COPYRIGHT OF CONEC GmbH DO NOT ALTER CAD DRAWING BY HAND

rev.	description	date	name
5 x b	Ä 2286	02.08.2005	HS

2002	date	name
drawn	04.03.	Schmidt
appd.	04.03.	Mickenbecker
norm		
d-old	KAT11YSA	

CONEC

tolerance dim. in mm

scale: 1:1

material: SEE NOTES

title: PLASTIC HOOD with staight cable exit and screw lock, 9-37 pos. (b)

dwg no: AutoCAD 2000 DIN-A 3 sh: 1/1

part no: SEE TABLE