



Chipsmall Limited consists of a professional team with an average of over 10 year of expertise in the distribution of electronic components. Based in Hongkong, we have already established firm and mutual-benefit business relationships with customers from,Europe,America and south Asia,supplying obsolete and hard-to-find components to meet their specific needs.

With the principle of "Quality Parts,Customers Priority,Honest Operation,and Considerate Service",our business mainly focus on the distribution of electronic components. Line cards we deal with include Microchip,ALPS,ROHM,Xilinx,Pulse,ON,Everlight and Freescale. Main products comprise IC,Modules,Potentiometer,IC Socket,Relay,Connector.Our parts cover such applications as commercial,industrial, and automotives areas.

We are looking forward to setting up business relationship with you and hope to provide you with the best service and solution. Let us make a better world for our industry!



## Contact us

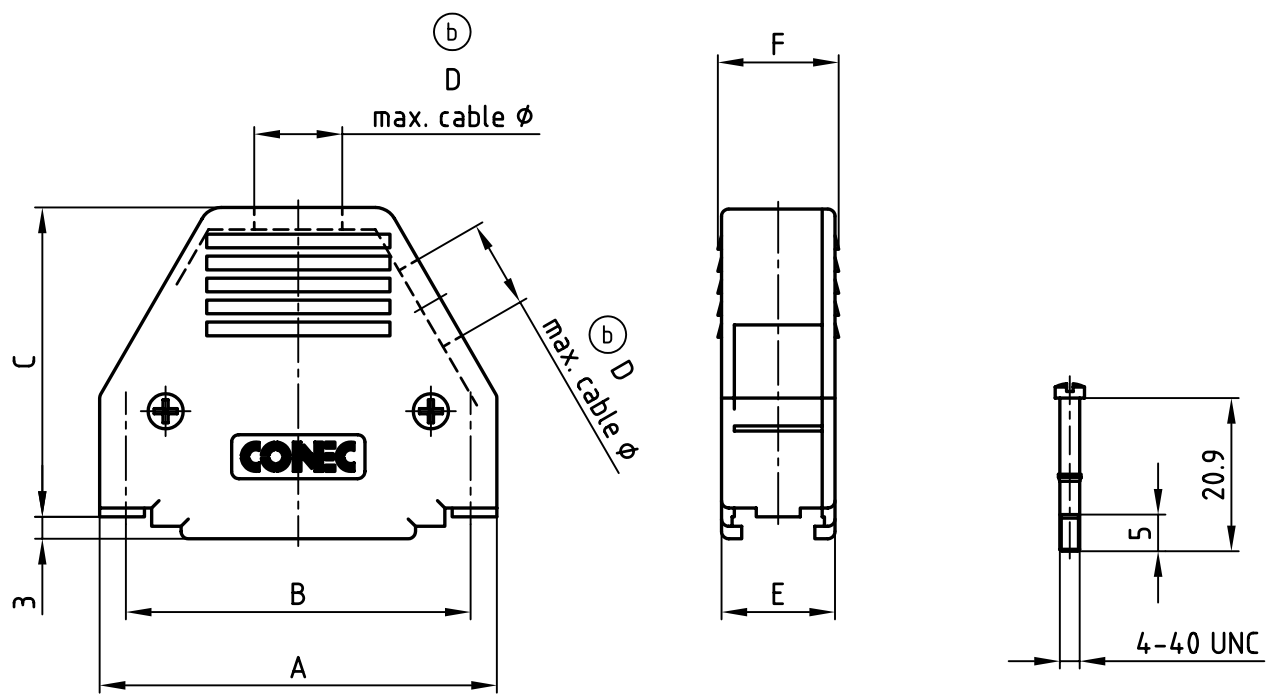
Tel: +86-755-8981 8866 Fax: +86-755-8427 6832

Email & Skype: info@chipsmall.com Web: www.chipsmall.com

Address: A1208, Overseas Decoration Building, #122 Zhenhua RD., Futian, Shenzhen, China



used for: D-SUB



jack screw

POS.	A	B	C	D max. cable $\phi$	E	F	Part No: Bulk package
9	32.0	25.0	36.7	6.3	15.5	16.5	165X11239X
15	40.0	33.3	38.2	8.0	15.5	16.5	165X11249X
25	54.2	47.0	42.2	10.5	15.5	16.5	165X11259X
37	70.6	63.5	47.2	11.5	15.5	16.5	165X11269X
50	68.2	61.1	47.2	13.7	19.6	20.6	165X16539X

NOTES:

- HOOD MATERIAL: ABS UL 94 V0 BLACK
- JACKSCREW MATERIAL: BRASS NICKEL-PLATING

Directive 2002/95/EC  
"RoHS"  
Compliant

THIS DRAWING MAY NOT BE COPIED OR REPRODUCED IN ANY WAY, AND MAY NOT BE PASSED ON TO A THIRD PARTY WITHOUT WRITTEN PERMISSION.  
 OWNERSHIP AND COPYRIGHT OF CONEC GmbH  
 DO NOT ALTER CAD DRAWING BY HAND

tolerance				scale: 1:1
material:		SEE NOTES		
2002	date	name		
drawn	01.03.	Schmidt		
appd.	01.03.	Mickenbecker		
norm				
d-old	KAT11Y9B			
4 x b	Ä 2620	06.12.2006	ES	
rev.	description	date	name	

title:		<b>Plastic hood</b> with top and side cable exit with jack screws, 9 - 50 pos.	
dwg no:	AutoCAD 2000	DIN-A	4
part no:		16K1A619	sh: 1/1
part no:		SEE TABLE	