



Chipsmall Limited consists of a professional team with an average of over 10 year of expertise in the distribution of electronic components. Based in Hongkong, we have already established firm and mutual-benefit business relationships with customers from,Europe,America and south Asia,supplying obsolete and hard-to-find components to meet their specific needs.

With the principle of “Quality Parts,Customers Priority,Honest Operation,and Considerate Service”,our business mainly focus on the distribution of electronic components. Line cards we deal with include Microchip,ALPS,ROHM,Xilinx,Pulse,ON,Everlight and Freescale. Main products comprise IC,Modules,Potentiometer,IC Socket,Relay,Connector.Our parts cover such applications as commercial,industrial, and automotives areas.

We are looking forward to setting up business relationship with you and hope to provide you with the best service and solution. Let us make a better world for our industry!



Contact us

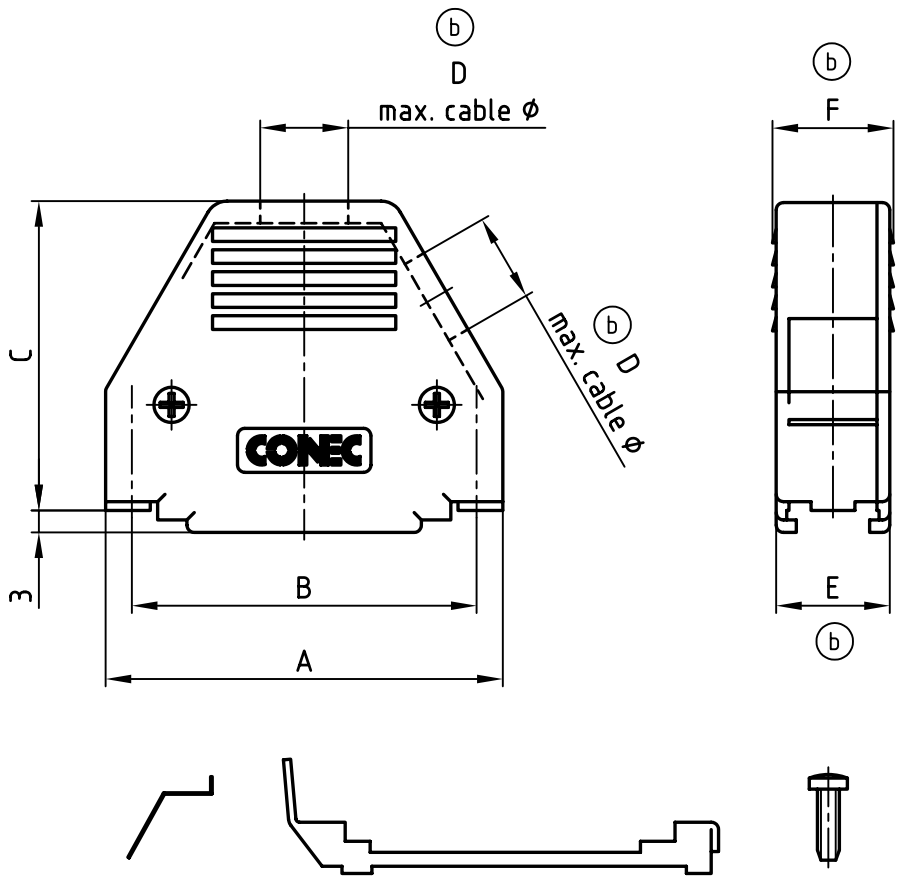
Tel: +86-755-8981 8866 Fax: +86-755-8427 6832

Email & Skype: info@chipsmall.com Web: www.chipsmall.com

Address: A1208, Overseas Decoration Building, #122 Zhenhua RD., Futian, Shenzhen, China



used for: D-SUB



SLIDE LOCK

POS.	A	B	C	D max. cable ø	E	F	Part No: Bulk package
9	32.0	25.0	36.7	6.3	15.5	16.5	165X11279X
15	40.0	33.3	38.2	8.0	15.5	16.5	165X11289X
25	54.2	47.0	42.2	10.5	15.5	16.5	165X11299X (165X11299X-S)
37	70.6	63.5	47.2	11.5	15.5	16.5	165X11309X
50	68.2	61.1	47.2	13.7	19.6	20.6	165X16549X

MATERIAL:
 HOOD: ABS UL 94 V-0; BLACK
 SLIDE LOCK: STEEL; NICKEL PLATED
 SPRING: STEEL; TIN PLATED

THIS DRAWING MAY NOT BE COPIED OR REPRODUCED IN ANY WAY, AND MAY NOT BE PASSED ON TO A THIRD PARTY WITHOUT WRITTEN PERMISSION.
 OWNERSHIP AND COPYRIGHT OF CONEC GmbH
 DO NOT ALTER CAD DRAWING BY HAND

tolerance			
2000	date	name	
drawn	03.07.	A. Mickenbecker	
appd.	03.07.	E. Mickenbecker	
norm			
d-old			
6x b	Ä 2620	05.12.2006	ES
rev.	description	date	name



scale:	1:1	
material:	SEE NOTES	
title:	PLASTIC HOOD 9-50pos. with top and side cable exit with slide lock	
dwg no:	AutoCAD 2000	DIN-A
	16K1A024A	4
product no:	SEE TABLE	
		sh: 1/1