



Chipsmall Limited consists of a professional team with an average of over 10 year of expertise in the distribution of electronic components. Based in Hongkong, we have already established firm and mutual-benefit business relationships with customers from,Europe,America and south Asia,supplying obsolete and hard-to-find components to meet their specific needs.

With the principle of "Quality Parts,Customers Priority,Honest Operation,and Considerate Service",our business mainly focus on the distribution of electronic components. Line cards we deal with include Microchip,ALPS,ROHM,Xilinx,Pulse,ON,Everlight and Freescale. Main products comprise IC,Modules,Potentiometer,IC Socket,Relay,Connector.Our parts cover such applications as commercial,industrial, and automotives areas.

We are looking forward to setting up business relationship with you and hope to provide you with the best service and solution. Let us make a better world for our industry!



Contact us

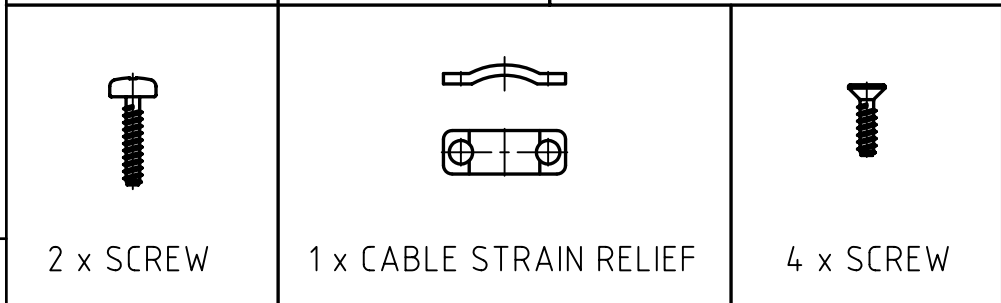
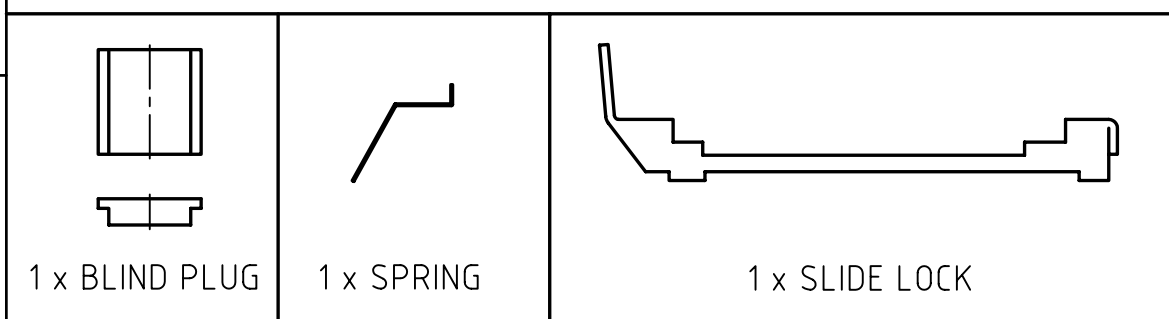
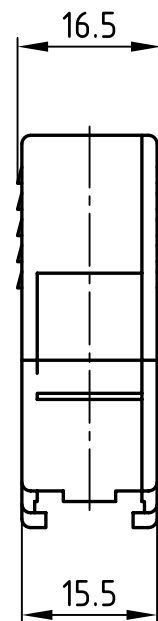
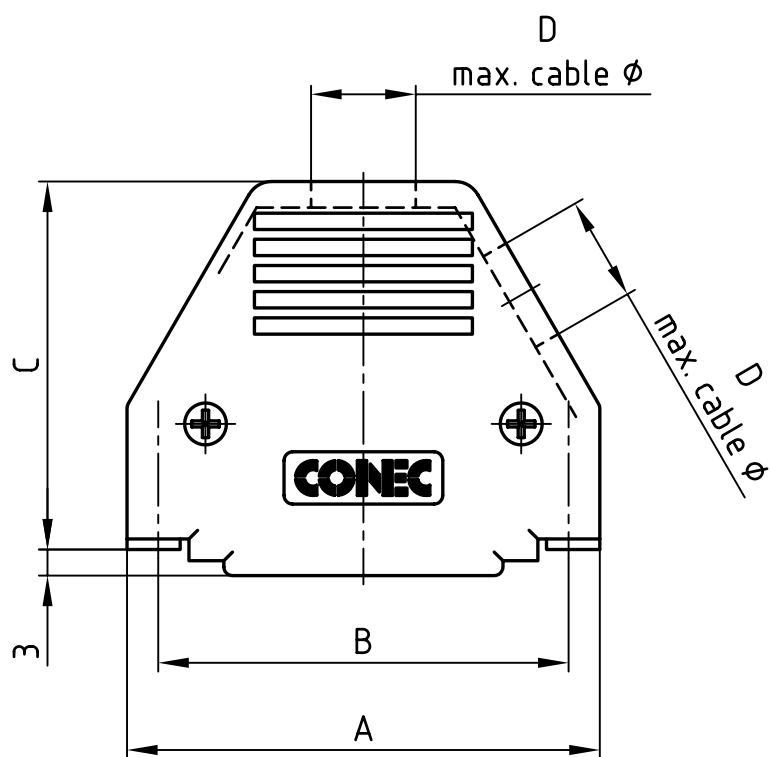
Tel: +86-755-8981 8866 Fax: +86-755-8427 6832

Email & Skype: info@chipsmall.com Web: www.chipsmall.com

Address: A1208, Overseas Decoration Building, #122 Zhenhua RD., Futian, Shenzhen, China



used for: D-SUB



POS.	A	B	C	D max. cable ϕ	Part No. Bulk package	Part No. Single package
9	32.0	25.0	36.7	6.3	165X11359X	165X11359XE
15	40.0	33.3	38.2	8.0	165X11369X	165X11369XE
25	54.2	47.0	42.2	10.5	165X11379X	165X11379XE
37	70.6	63.5	47.2	11.5	165X11389X	165X11389XE

Directive 2002/95/EC
"RoHS"
Compliant

MATERIAL:

HOOD: ABS UL 94 V-0; METALLIZED
 BLIND PLUG: ABS UL 94 V-0; METALLIZED
 SPRING: STAINLESS STEEL
 SLIDE LOCK: STEEL; NICKEL PLATED
 SCREWS: STEEL; NICKEL PLATED
 CABLE STRAIN RELIEF: STEEL; NICKEL PLATED

THIS DRAWING MAY NOT BE COPIED OR REPRODUCED IN ANY WAY, AND MAY NOT BE PASSED ON TO A THIRD PARTY WITHOUT WRITTEN PERMISSION.
 OWNERSHIP AND COPYRIGHT OF CONEC GmbH
 DO NOT ALTER CAD DRAWING BY HAND

				tolerance				scale: 1:1	
				material:		SEE NOTES			
				2010		date		name	
				drawn		14.04.		Lehmenkühler	
				appd.		14.04.		Koch	
				norm					
				d-old					
				a		Origin			
rev.		description		date		name			

title:		PLASTIC HOOD 9-37pos. with top and side cable exit with slide lock		
dwg no:				AutoCAD 2006
		16K1A2630		4
product no:		SEE TABLE		
		sh: 1/1		

4

3

2

1