



Chipsmall Limited consists of a professional team with an average of over 10 year of expertise in the distribution of electronic components. Based in Hongkong, we have already established firm and mutual-benefit business relationships with customers from,Europe,America and south Asia,supplying obsolete and hard-to-find components to meet their specific needs.

With the principle of “Quality Parts,Customers Priority,Honest Operation,and Considerate Service”,our business mainly focus on the distribution of electronic components. Line cards we deal with include Microchip,ALPS,ROHM,Xilinx,Pulse,ON,Everlight and Freescale. Main products comprise IC,Modules,Potentiometer,IC Socket,Relay,Connector.Our parts cover such applications as commercial,industrial, and automotives areas.

We are looking forward to setting up business relationship with you and hope to provide you with the best service and solution. Let us make a better world for our industry!



## Contact us

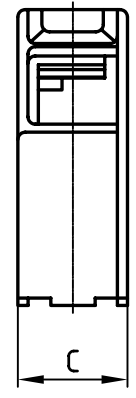
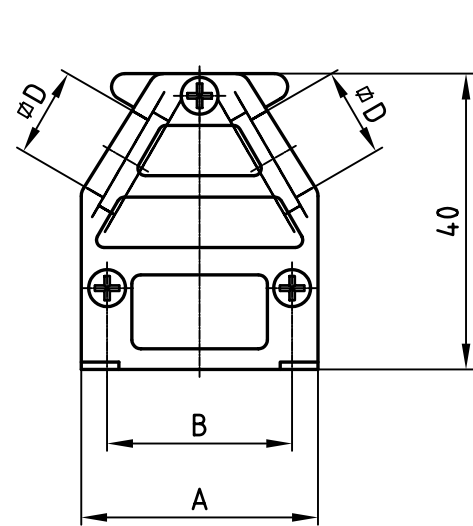
Tel: +86-755-8981 8866 Fax: +86-755-8427 6832

Email & Skype: info@chipsmall.com Web: www.chipsmall.com

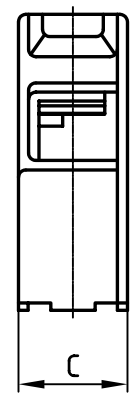
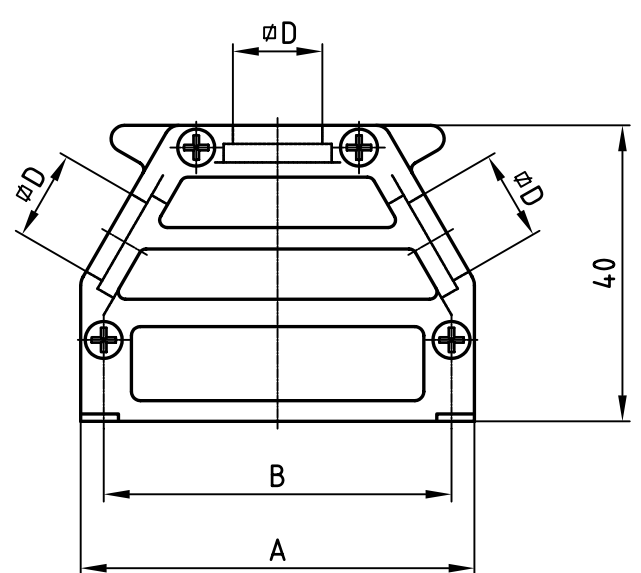
Address: A1208, Overseas Decoration Building, #122 Zhenhua RD., Futian, Shenzhen, China



used for: D-SUB



9pos.



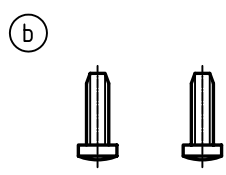
15pos. - 50pos.



spring



slide lock



screws

No. of pos.	A	B	C	∅D	Blind Plug included	Part-No. Bulk package	Part-No. Single package
9 (b)	32.0	25.0	14.8	12.1	1	165X11659X	165X11659XE
15	39.3	33.3	14.8	12.1	2	165X11669X	165X11669XE
25	53.2	47.0	14.8	12.1	2	165X11679X	165X11679XE
37	69.5	63.5	14.8	12.1	2	165X11689X	165X11689XE
50	67.0	61.1	17.8	14.6	2	165X11699X	165X11699XE

APPROVAL # FREIGABE # DEBLOCAGE # AUTORIZACION # APPROVAL

CUSTOMER APPROVAL DATE:

NAME: TITLE:

COMPANY NAME:

APPROVAL # FREIGABE # DEBLOCAGE # AUTORIZACION # APPROVAL

THIS DRAWING MAY NOT BE COPIED OR REPRODUCED IN ANY WAY, AND MAY NOT BE PASSED ON TO A THIRD PARTY WITHOUT WRITTEN PERMISSION. OWNERSHIP AND COPYRIGHT OF CONEC GmbH DO NOT ALTER CAD DRAWING BY HAND

tolerance		dim. in mm	
2002	date	name	
drawn	25.06.	Schmidt	
appd.	25.06.	E. Mickenbecker	
norm			
1 x c	Ä 3720	18.08.10	Lehm. d-old
4 x b	Ä 2240	24.05.05	HS
a	Origin		
rev.	description	date	name



scale: 1:1

material: Hood: die-cast zinc

title: METAL HOOD  
EMI/RFI SHIELDING 9 - 50 pos.  
with slide lock

dwg no: AutoCAD 2000  
16K1A688

part no: SEE TABLE

DIN-A 3 sh:1/1