



Chipsmall Limited consists of a professional team with an average of over 10 year of expertise in the distribution of electronic components. Based in Hongkong, we have already established firm and mutual-benefit business relationships with customers from,Europe,America and south Asia,supplying obsolete and hard-to-find components to meet their specific needs.

With the principle of “Quality Parts,Customers Priority,Honest Operation,and Considerate Service”,our business mainly focus on the distribution of electronic components. Line cards we deal with include Microchip,ALPS,ROHM,Xilinx,Pulse,ON,Everlight and Freescale. Main products comprise IC,Modules,Potentiometer,IC Socket,Relay,Connector.Our parts cover such applications as commercial,industrial, and automotives areas.

We are looking forward to setting up business relationship with you and hope to provide you with the best service and solution. Let us make a better world for our industry!



## Contact us

Tel: +86-755-8981 8866 Fax: +86-755-8427 6832

Email & Skype: info@chipsmall.com Web: www.chipsmall.com

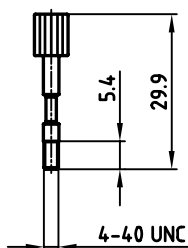
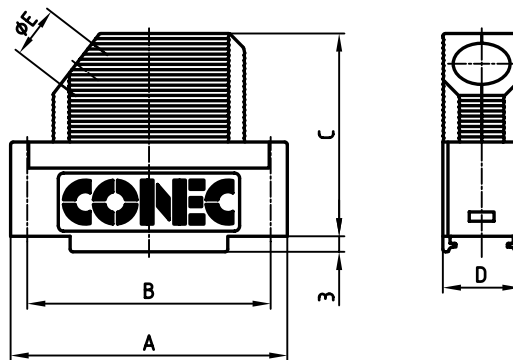
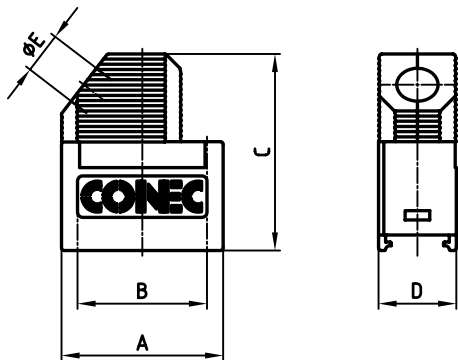
Address: A1208, Overseas Decoration Building, #122 Zhenhua RD., Futian, Shenzhen, China



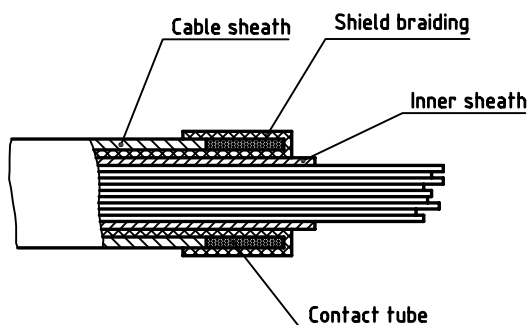
used for: D-SUB

9 way

15 - 50 way



Metal screw with plastic head



No. of pos.	A	B	C	D	ØE	Part no:
9	31.30	25.0	35.15	15.0	8.0	165X11759X
15	39.62	33.3	39.15	15.0	9.0	165X11769X
25	53.52	47.0	39.15	15.0	11.0	165X11779X
37	69.80	63.5	39.15	15.0	11.0	165X11789X
50	67.41	61.1	39.15	19.0	14.5	165X11799X



THIS DRAWING MAY NOT BE COPIED OR REPRODUCED IN ANY WAY, AND MAY NOT BE PASSED ON TO A THIRD PARTY, WITHOUT WRITTEN PERMISSION. OWNERSHIP AND COPYRIGHT OF CONEC GMBH DO NOT ALTER CAD DRAWING BY HAND

tolerance			scale:	1:1
2002	date	name	material:	Polycarbonat + GF black
drawn	29.01.	Parei	title:	<b>Plastic Hood</b> with side cable exit with shielding, 9 - 50 pos.
appd.	30.01.	E. Mickenbecker		
norm	DIN 41652			
d-old	KAT113AA		dwg no:	AutoCAD 2000
			DIN-A	
			3	
rev.	description	date	name	sh: 1/1
part no:			SEE TABLE	

title: <b>Plastic Hood</b> with side cable exit with shielding, 9 - 50 pos.	
dwg no:	AutoCAD 2000
part no:	SEE TABLE