



Chipsmall Limited consists of a professional team with an average of over 10 year of expertise in the distribution of electronic components. Based in Hongkong, we have already established firm and mutual-benefit business relationships with customers from,Europe,America and south Asia,supplying obsolete and hard-to-find components to meet their specific needs.

With the principle of “Quality Parts,Customers Priority,Honest Operation,and Considerate Service”,our business mainly focus on the distribution of electronic components. Line cards we deal with include Microchip,ALPS,ROHM,Xilinx,Pulse,ON,Everlight and Freescale. Main products comprise IC,Modules,Potentiometer,IC Socket,Relay,Connector.Our parts cover such applications as commercial,industrial, and automotives areas.

We are looking forward to setting up business relationship with you and hope to provide you with the best service and solution. Let us make a better world for our industry!



## Contact us

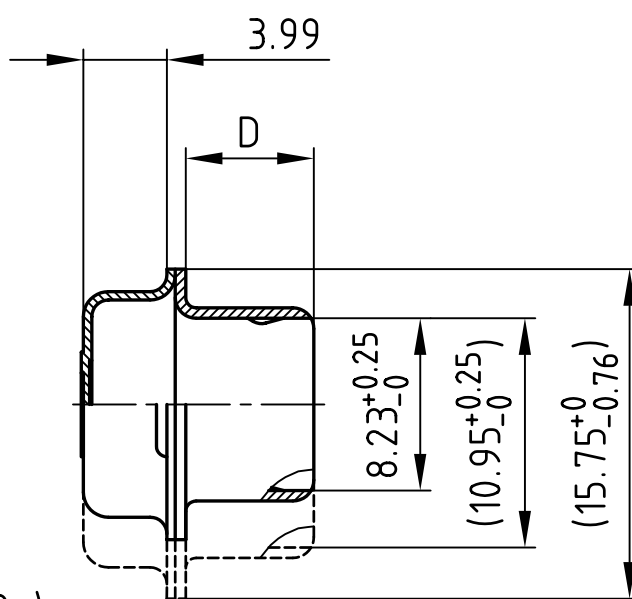
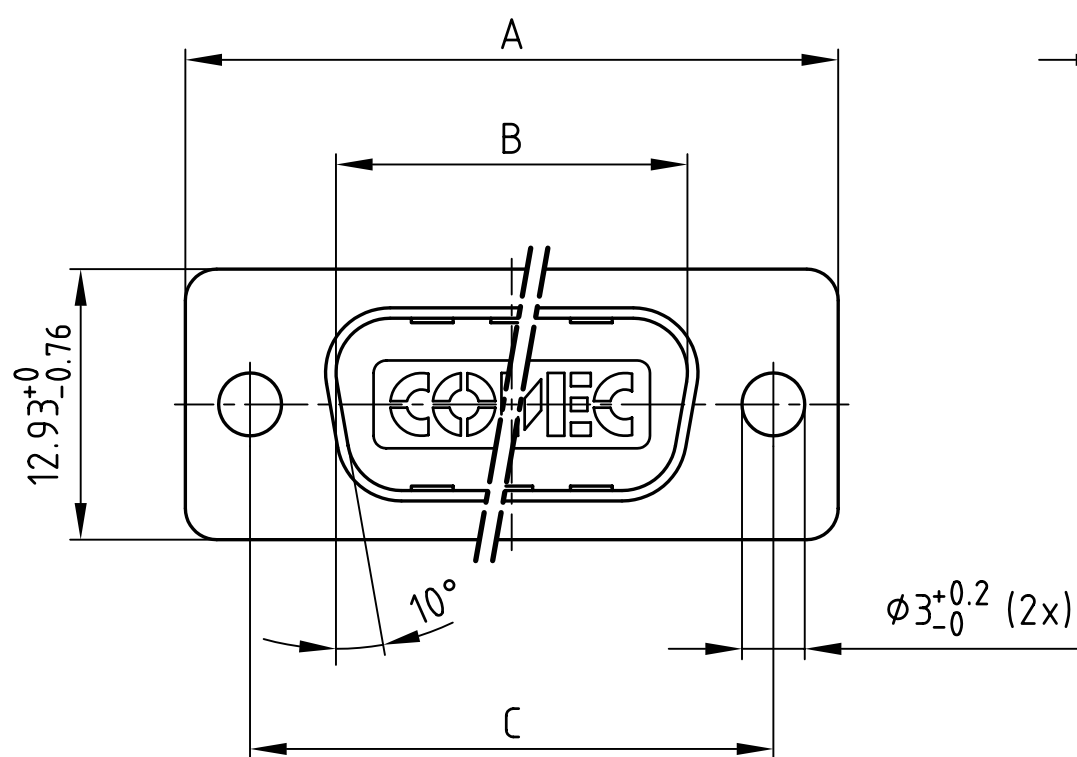
Tel: +86-755-8981 8866 Fax: +86-755-8427 6832

Email & Skype: info@chipsmall.com Web: www.chipsmall.com

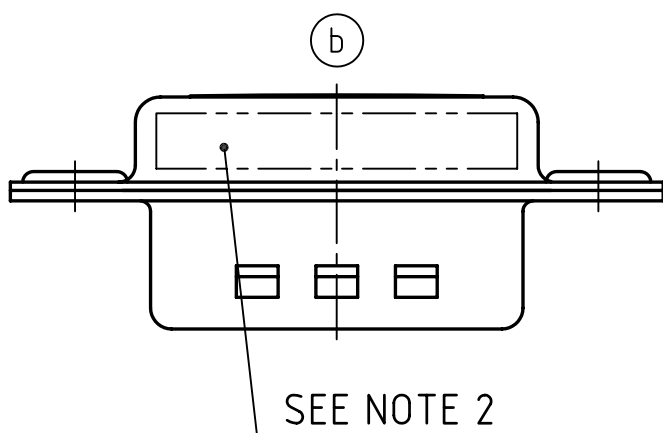
Address: A1208, Overseas Decoration Building, #122 Zhenhua RD., Futian, Shenzhen, China



used for: D-SUB



Dimensions in (---) = 50pos.



(b)

| No. of pos. | A <sup>-0.76</sup> | B <sup>-0.25</sup> | C   | D <sup>-0.3</sup> | Part No.<br>Bulk Package | Part No.<br>Single Package |
|-------------|--------------------|--------------------|---|-------------------|--------------------------|----------------------------|
| 9           | 31.19              | 16.79              | 25.00 <sup>+0.12</sup> / <sub>-0.13</sub> | 6.12              | 165X12969X               | 165X12969XE                |
| 15          | 39.52              | 25.12              | 33.30 <sup>+0.15</sup> / <sub>-0.1</sub>  | 6.12              | 165X12979X               | 165X12979XE                |
| 25          | 53.42              | 38.84              | 47.04 ±0.13                               | 5.99              | 165X12989X               | 165X12989XE                |
| 37          | 69.70              | 55.30              | 63.50 ±0.13                               | 5.99              | 165X12999X               | 165X12999XE                |
| 50          | 67.31              | 52.68              | 61.10 <sup>+0.14</sup> / <sub>-0.11</sub> | 5.99              | 165X13009X               | 165X13009XE                |



NOTES:

1. METALSHELLS: STEEL; min. 315µin TIN over 40-80µin NICKEL
2. CONNECTOR IS PART MARKED: [PART NO. CONEC ABC]

THIS DRAWING MAY NOT BE COPIED OR REPRODUCED IN ANY WAY, AND MAY NOT BE PASSED ON TO A THIRD PARTY WITHOUT WRITTEN PERMISSION.  
 OWNERSHIP AND COPYRIGHT OF CONEC GmbH  
 DO NOT ALTER CAD DRAWING BY HAND

|           |             |            |         |       |           |                     |
|-----------|-------------|------------|---------|-------|-----------|---------------------|
| tolerance |             |            |         |       |           | scale: 2:1          |
|           |             |            |         |       |           | material: SEE NOTES |
|           |             |            |         | 2002  | date      | name                |
|           |             |            |         | drawn | 27.03.    | Schmidt             |
|           |             |            |         | appd. | 27.03.    | Mickenbecker        |
|           |             |            |         | norm  | DIN 41652 |                     |
|           |             |            |         | d-old | KAT11Y4A  |                     |
| 2 x b     | Ä 3616      | 30.03.2010 | Lehmen. |       |           |                     |
| a         | Origin      |            |         |       |           |                     |
| rev.      | description | date       | name    |       |           |                     |

|          |  |  |         |
|----------|--|--|---------|
| title:   |  | Covered screen cap 9-50pos.<br>for Socket connector<br>for EMI/RFI |         |
| dwg no:  |  | AutoCAD 2000   | DIN-A   |
|          |  | 16K1A623   | 4       |
|          |  |  | sh: 1/1 |
| part no: |  | SEE TABLE  |         |

4

3

2

1