



Chipsmall Limited consists of a professional team with an average of over 10 year of expertise in the distribution of electronic components. Based in Hongkong, we have already established firm and mutual-benefit business relationships with customers from,Europe,America and south Asia,supplying obsolete and hard-to-find components to meet their specific needs.

With the principle of “Quality Parts,Customers Priority,Honest Operation,and Considerate Service”,our business mainly focus on the distribution of electronic components. Line cards we deal with include Microchip,ALPS,ROHM,Xilinx,Pulse,ON,Everlight and Freescale. Main products comprise IC,Modules,Potentiometer,IC Socket,Relay,Connector.Our parts cover such applications as commercial,industrial, and automotives areas.

We are looking forward to setting up business relationship with you and hope to provide you with the best service and solution. Let us make a better world for our industry!



## Contact us

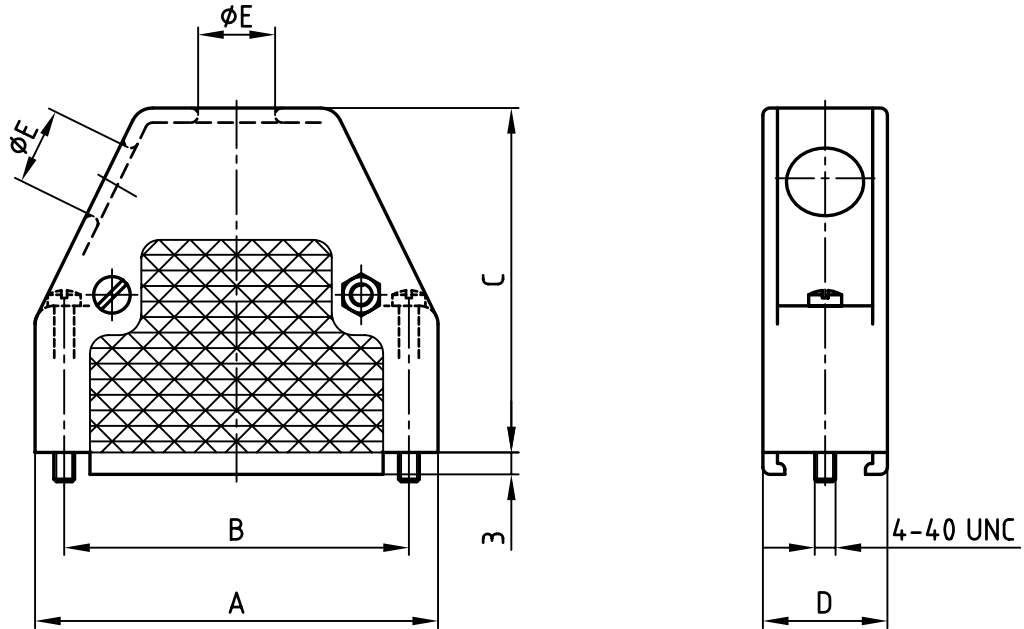
Tel: +86-755-8981 8866 Fax: +86-755-8427 6832

Email & Skype: info@chipsmall.com Web: www.chipsmall.com

Address: A1208, Overseas Decoration Building, #122 Zhenhua RD., Futian, Shenzhen, China



used for: D-SUB



No. of pos.	A	B	C	D	$\phi E$	Part No:
9	33.0	25.0	45.0	17.0	7.5	165X13019X
15	41.0	33.3	45.0	17.0	8.5	165X13029X
25	55.0	47.0	47.0	17.0	10.5	165X13039X
37	71.3	63.5	51.0	17.0	11.0	165X13049X
50	69.0	61.1	50.0	20.0	12.5	165X13059X

Directive 2002/95/EC  
„RoHS“  
Compliant

**NOTES:**

- HOOD: ABS UL 94 V-0
- SCREWS: BRASS

THIS DRAWING MAY NOT BE COPIED OR REPRODUCED IN ANY WAY, AND MAY NOT BE PASSED ON TO A THIRD PARTY WITHOUT WRITTEN PERMISSION.  
 OWNERSHIP AND COPYRIGHT OF CONEC GmbH  
 DO NOT ALTER CAD DRAWING BY HAND

tolerance						
2001	date	name				
drawn	02.10.	Parei				
appd.	02.10.	Mickenbecker				
norm						
d-old						
rev.	description	date	name			

scale:	1:1
material:	SEE NOTES
title:	<b>PLASTC HOOD</b> with straight and side cable entry with short screws, 9 - 50 pos.
dwg no:	AutoCAD 2000
part no:	SEE TABLE
	DIN-A 4 sh: 1/1