



Chipsmall Limited consists of a professional team with an average of over 10 year of expertise in the distribution of electronic components. Based in Hongkong, we have already established firm and mutual-benefit business relationships with customers from,Europe,America and south Asia,supplying obsolete and hard-to-find components to meet their specific needs.

With the principle of “Quality Parts,Customers Priority,Honest Operation,and Considerate Service”,our business mainly focus on the distribution of electronic components. Line cards we deal with include Microchip,ALPS,ROHM,Xilinx,Pulse,ON,Everlight and Freescale. Main products comprise IC,Modules,Potentiometer,IC Socket,Relay,Connector.Our parts cover such applications as commercial,industrial, and automotives areas.

We are looking forward to setting up business relationship with you and hope to provide you with the best service and solution. Let us make a better world for our industry!



Contact us

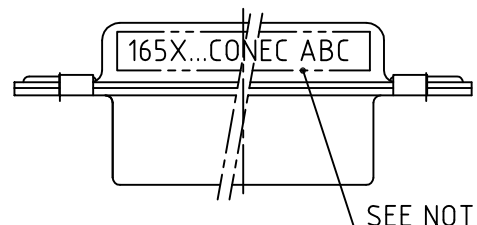
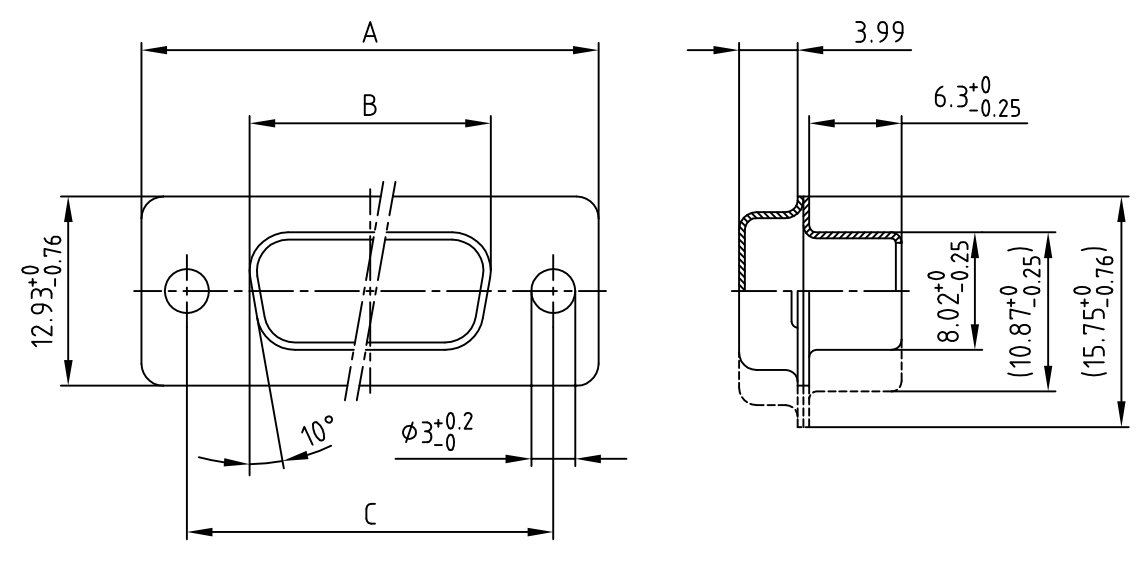
Tel: +86-755-8981 8866 Fax: +86-755-8427 6832

Email & Skype: info@chipsmall.com Web: www.chipsmall.com

Address: A1208, Overseas Decoration Building, #122 Zhenhua RD., Futian, Shenzhen, China



used for: D-SUB



Dimensions in (---) = 50pos.

No. of pos.	A -0.76	B -0.25	C	Part No:
9	31.19	16.46	25.00 ^{+0.12} / _{-0.13}	165X13129X
15	39.52	24.79	33.30 ^{+0.15} / _{-0.1}	165X13139X
25	53.42	38.50	47.04 ±0.13	165X13149X
37	69.70	54.96	63.50 ±0.13	165X13159X (165X13349X / 165X13159X-S)
50	67.31	52.55	61.10 ^{+0.14} / _{-0.11}	165X13169X

NOTES:

- METALSHELLS: STEEL; min. 315µin TIN over 40-80µin NICKEL
- CONNECTOR IS PART MARKED: PART NO: CONEC ABC

Directive 2002/95/EC
„RoHS“
Compliant

THIS DRAWING MAY NOT BE COPIED OR REPRODUCED IN ANY WAY, AND MAY NOT BE PASSED ON TO A THIRD PARTY WITHOUT WRITTEN PERMISSION. OWNERSHIP AND COPYRIGHT OF CONEC GmbH DO NOT ALTER CAD DRAWING BY HAND

				tolerance			
				2002	date	name	
				drawn	24.07.	Schmidt	
				appd.	24.07.	Mickenbecker	
				norm	DIN 41652		
				d-old	KAT11Y4A		
1 x b	Ä3162	29.10.2008	Sonne				
a	Origin						
rev.	description	date	name				

scale:	2:1	
material:	SEE NOTES	
title:	Covered screen cap 9-50pos. for plug connector for EMI/RFI	
dwg no:	AutoCAD 2000	DIN-A
	16K1A716	4
		sh: 1/1
part no:	SEE TABLE	