



Chipsmall Limited consists of a professional team with an average of over 10 year of expertise in the distribution of electronic components. Based in Hongkong, we have already established firm and mutual-benefit business relationships with customers from,Europe,America and south Asia,supplying obsolete and hard-to-find components to meet their specific needs.

With the principle of "Quality Parts,Customers Priority,Honest Operation,and Considerate Service",our business mainly focus on the distribution of electronic components. Line cards we deal with include Microchip,ALPS,ROHM,Xilinx,Pulse,ON,Everlight and Freescale. Main products comprise IC,Modules,Potentiometer,IC Socket,Relay,Connector.Our parts cover such applications as commercial,industrial, and automotives areas.

We are looking forward to setting up business relationship with you and hope to provide you with the best service and solution. Let us make a better world for our industry!



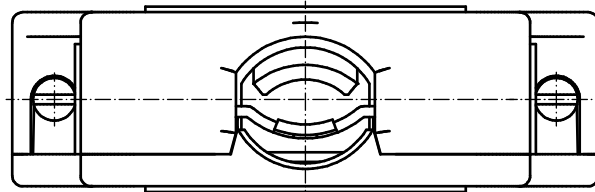
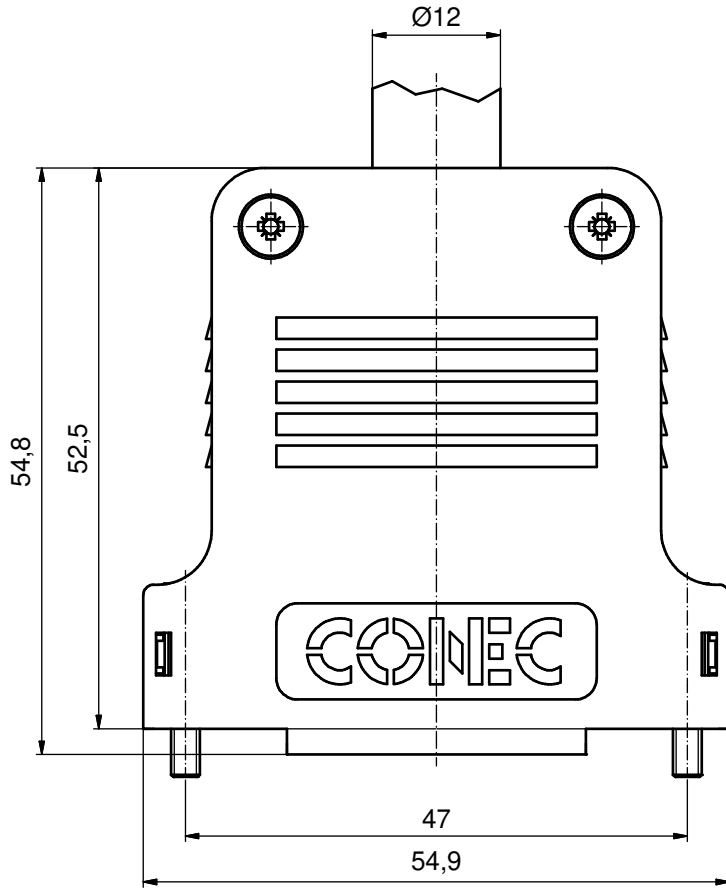
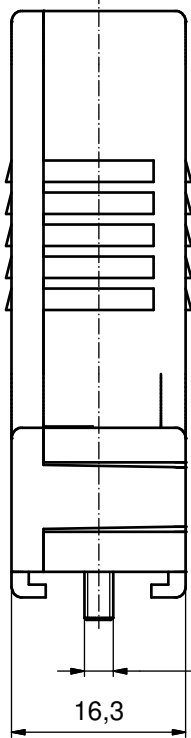
Contact us

Tel: +86-755-8981 8866 Fax: +86-755-8427 6832

Email & Skype: info@chipsmall.com Web: www.chipsmall.com

Address: A1208, Overseas Decoration Building, #122 Zhenhua RD., Futian, Shenzhen, China



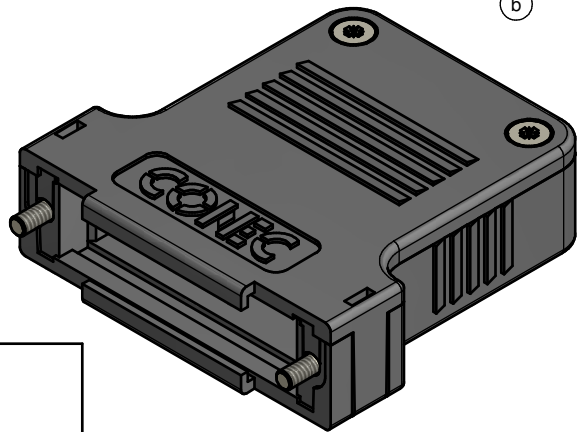


NOTES: (b)

1. HOOD + COVER: PBT UL 94 V-0; BLACK
2. CABLE STRAIN RELIEF: STEEL; NICKEL PLATED
3. PRESS INSERT: ABS UL 94 V-0; BLACK
4. SHORT SCREWS: STEEL; NICKEL PLATED
5. COVER SCREWS: STEEL; NICKEL PLATED
6. LENS HEAD SCREWS: STEEL; NICKEL PLATED

TECHNICAL DATA:

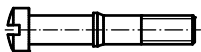
- TEMPERATURE RANGE: -40°C to + 125°C



CABLE STRAIN RELIEF (1x)



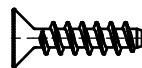
LENS HEAD SCREW (2x)



SHORT SCREW (2x)



PRESS INSERT (1x)



COVER SCREW (2x)

RoHS compliant

THIS DRAWING MAY NOT BE COPIED OR REPRODUCED IN ANY WAY, AND MAY NOT BE PASSED ON TO A THIRD PARTY WITHOUT WRITTEN PERMISSION. OWNERSHIP AND COPYRIGHT OF CONEC GmbH

DO NOT ALTER CAD DRAWING BY HAND

tolerance				dim. in mm	
date	name				
drawn 14.04.2015	Heinrich				
appd. 14.04.2015	Lehmenkühler				
norm					
d-old	16K1A707				
5 x b	A5607	14.04.15	M.H.		
a	Original				
rev.	description	date	name		

scale:	2:1	
material:	SEE NOTES	
title:	PLASTIC HOOD 25pos. with straight cable exit	
dwg no:	(b) 16K1A3620	DIN-A3
part no:	165X13389X / 600X10025XS (b)	

