



Chipsmall Limited consists of a professional team with an average of over 10 year of expertise in the distribution of electronic components. Based in Hongkong, we have already established firm and mutual-benefit business relationships with customers from,Europe,America and south Asia,supplying obsolete and hard-to-find components to meet their specific needs.

With the principle of “Quality Parts,Customers Priority,Honest Operation,and Considerate Service”,our business mainly focus on the distribution of electronic components. Line cards we deal with include Microchip,ALPS,ROHM,Xilinx,Pulse,ON,Everlight and Freescale. Main products comprise IC,Modules,Potentiometer,IC Socket,Relay,Connector.Our parts cover such applications as commercial,industrial, and automotives areas.

We are looking forward to setting up business relationship with you and hope to provide you with the best service and solution. Let us make a better world for our industry!



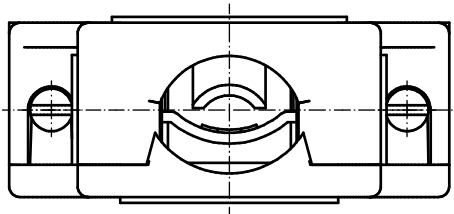
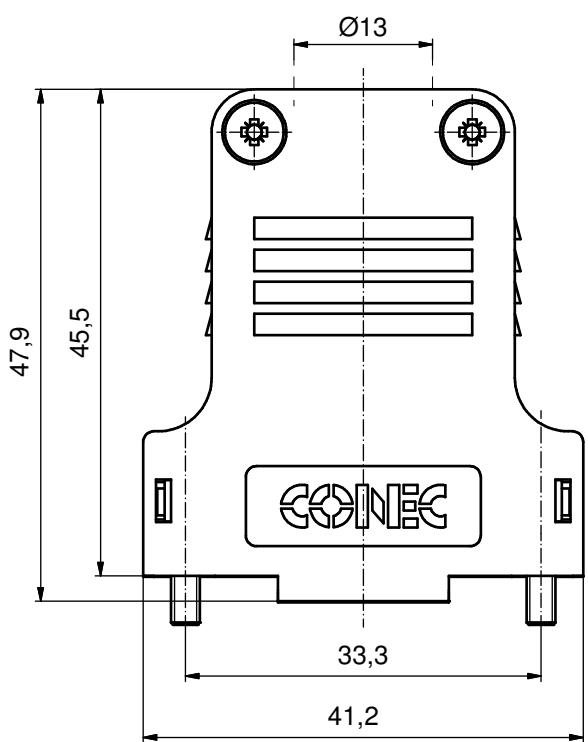
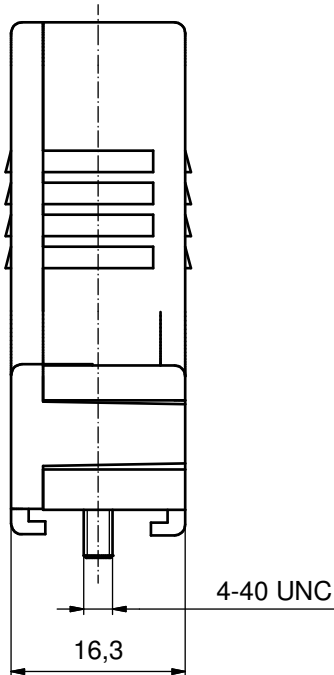
## Contact us

Tel: +86-755-8981 8866 Fax: +86-755-8427 6832



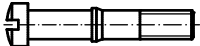


Email & Skype: info@chipsmall.com Web: www.chipsmall.com

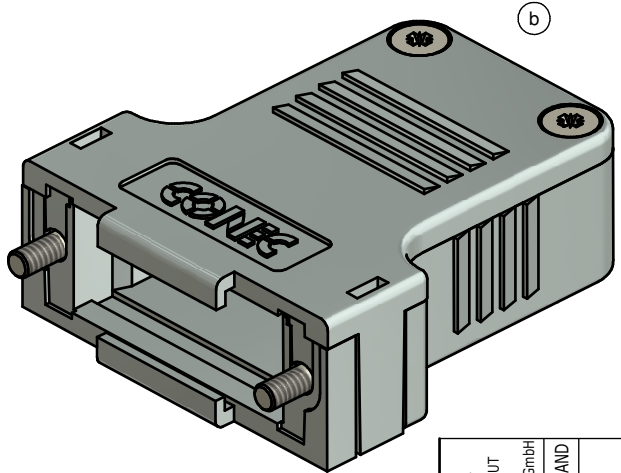
Address: A1208, Overseas Decoration Building, #122 Zhenhua RD., Futian, Shenzhen, China





(b)

		
CABLE STRAIN RELIEF (1x)	LENS HEAD SCREW (2x)	
		
SHORT SCREW (2x)	PRESS INSERT (1x)	COVER SCREW (2x)



(b)


NOTES:

- HOOD + COVER: ABS UL 94 V-0; METALLIZED
- CABLE STRAIN RELIEF: STEEL; NICKEL PLATED
- PRESS INSERT: ABS UL 94 V-0; METALLIZED
- SHORT SCREWS: STEEL; NICKEL PLATED
- COVER SCREWS: STEEL; NICKEL PLATED
- LENS HEAD SCREWS: STEEL; NICKEL PLATED

TECHNICAL DATA:

- TEMPERATURE RANGE: -33 °C to + 90 °C

Directive 2002/95/EC RoHS compliant

THIS DRAWING MAY NOT BE COPIED OR REPRODUCED IN ANY WAY, AND MAY NOT BE PASSED ON TO A THIRD PARTY WITHOUT WRITTEN PERMISSION. OWNERSHIP AND COPYRIGHT OF CONEC GmbH DO NOT ALTER CAD DRAWING BY HAND	tolerance			scale: 2:1
	dim. in mm			material: SEE NOTES
	date	name	title:	
	drawn 03.09.14	Unkrüer	PLASTIC HOOD	
	appd. 03.09.14	Lehmenkühler	15pos.	
	norm		with straight cable exit	
d-old	16K2A171A	dwg no:		
3 x b	Ä 5304	03.09.2014	Unkrüer	DIN-A3
a	Original			sh: 1
rev.	description	date	name	part no: 165X13479X

