



Chipsmall Limited consists of a professional team with an average of over 10 year of expertise in the distribution of electronic components. Based in Hongkong, we have already established firm and mutual-benefit business relationships with customers from,Europe,America and south Asia,supplying obsolete and hard-to-find components to meet their specific needs.

With the principle of “Quality Parts,Customers Priority,Honest Operation,and Considerate Service”,our business mainly focus on the distribution of electronic components. Line cards we deal with include Microchip,ALPS,ROHM,Xilinx,Pulse,ON,Everlight and Freescale. Main products comprise IC,Modules,Potentiometer,IC Socket,Relay,Connector.Our parts cover such applications as commercial,industrial, and automotives areas.

We are looking forward to setting up business relationship with you and hope to provide you with the best service and solution. Let us make a better world for our industry!



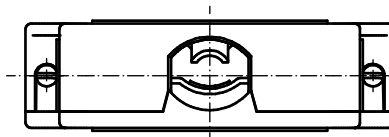
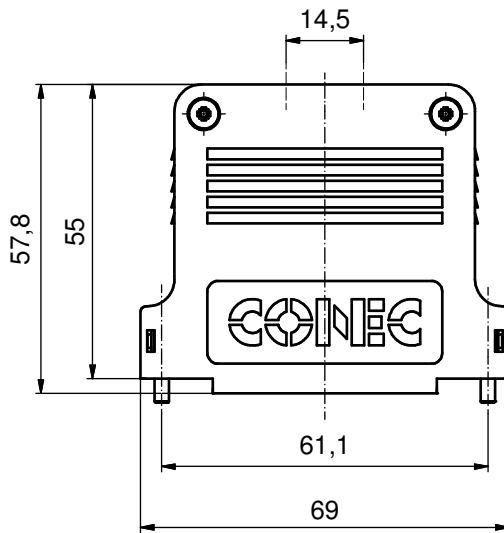
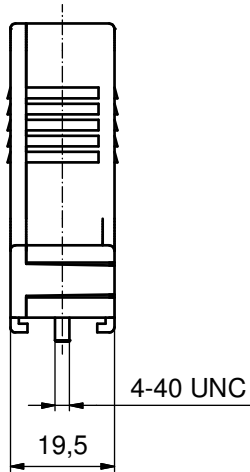
Contact us



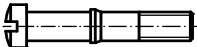


Tel: +86-755-8981 8866 Fax: +86-755-8427 6832

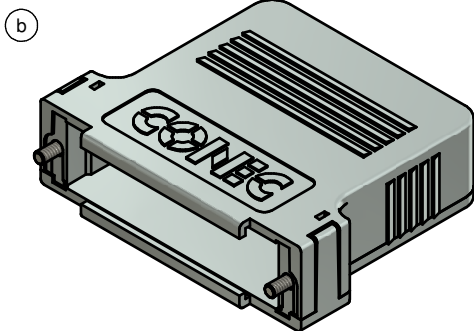
Email & Skype: info@chipsmall.com Web: www.chipsmall.com

Address: A1208, Overseas Decoration Building, #122 Zhenhua RD., Futian, Shenzhen, China





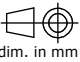

 CABLE STRAIN RELIEF (1x)	 LENS HEAD SCREW (2x)	
 SHORT SCREW (2x)	 PRESS INSERT (1x)	 COVER SCREW (2x)



NOTES:

1. HOOD + COVER: ABS UL 94 V-0; METALLIZED
 2. CABLE STRAIN RELIEF: STEEL; NICKEL PLATED
 3. PRESS INSERT: ABS UL 94 V-0; METALLIZED
 4. SHORT SCREWS: STEEL; NICKEL PLATED
 5. COVER SCREWS: STEEL; NICKEL PLATED
 6. LENS HEAD SCREWS: STEEL; NICKEL PLATED
- TECHNICAL DATA:
 - TEMPERATURE RANGE: -33°C to + 90 °C

Directive 2002/95/EC RoHS compliant

THIS DRAWING MAY NOT BE COPIED OR REPRODUCED IN ANY WAY, AND MAY NOT BE PASSED ON TO A THIRD PARTY WITHOUT WRITTEN PERMISSION. OWNERSHIP AND COPYRIGHT OF CONEC GmbH DO NOT ALTER CAD DRAWING BY HAND				tolerance		scale: 1:1
				date	name	material:
				drawn	03.09.14	Unkrüer
				appd.	03.09.14	Lehmenkühler
				norm		
				d-old	16K2A171A	
3 x b	Ä 5304	03.09.2014	Unkrüer	title: PLASTIC HOOD 50pos. with straight cable exit		
a	Original			dwg no: (b) 16K1A3497		
rev.	description	date	name	part no: 165X13509X		
						DIN-A3 sh: 1