



Chipsmall Limited consists of a professional team with an average of over 10 year of expertise in the distribution of electronic components. Based in Hongkong, we have already established firm and mutual-benefit business relationships with customers from,Europe,America and south Asia,supplying obsolete and hard-to-find components to meet their specific needs.

With the principle of “Quality Parts,Customers Priority,Honest Operation,and Considerate Service”,our business mainly focus on the distribution of electronic components. Line cards we deal with include Microchip,ALPS,ROHM,Xilinx,Pulse,ON,Everlight and Freescale. Main products comprise IC,Modules,Potentiometer,IC Socket,Relay,Connector.Our parts cover such applications as commercial,industrial, and automotives areas.

We are looking forward to setting up business relationship with you and hope to provide you with the best service and solution. Let us make a better world for our industry!



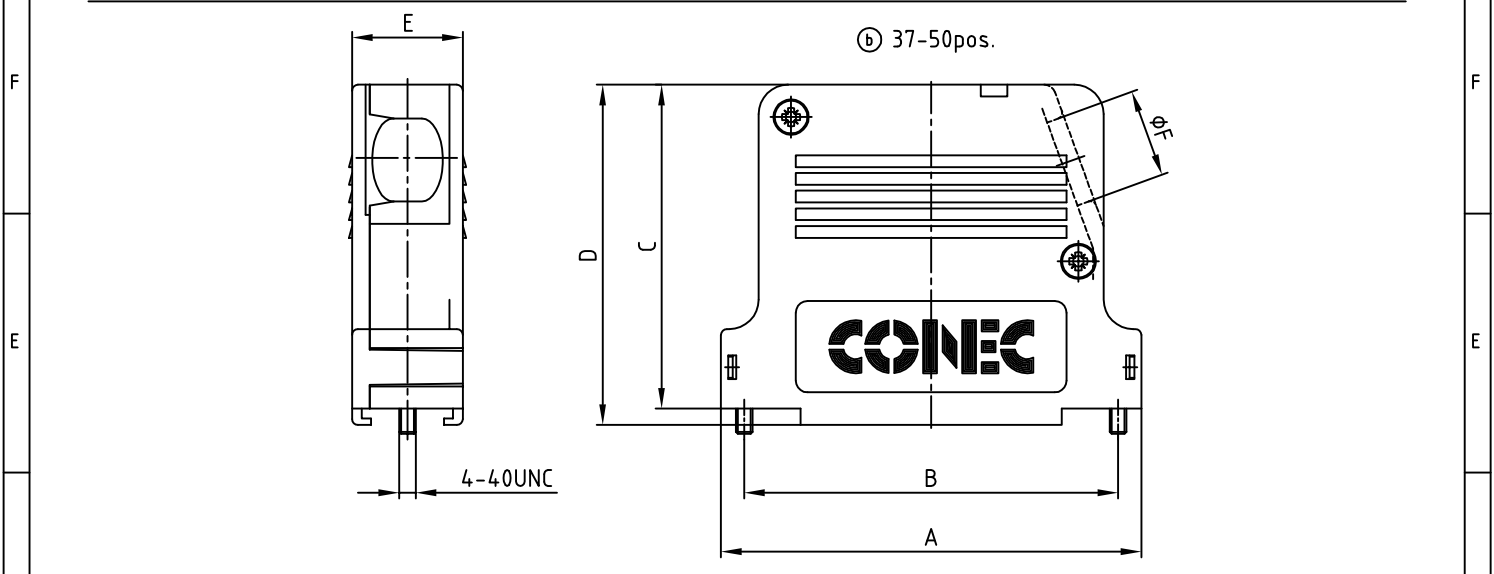
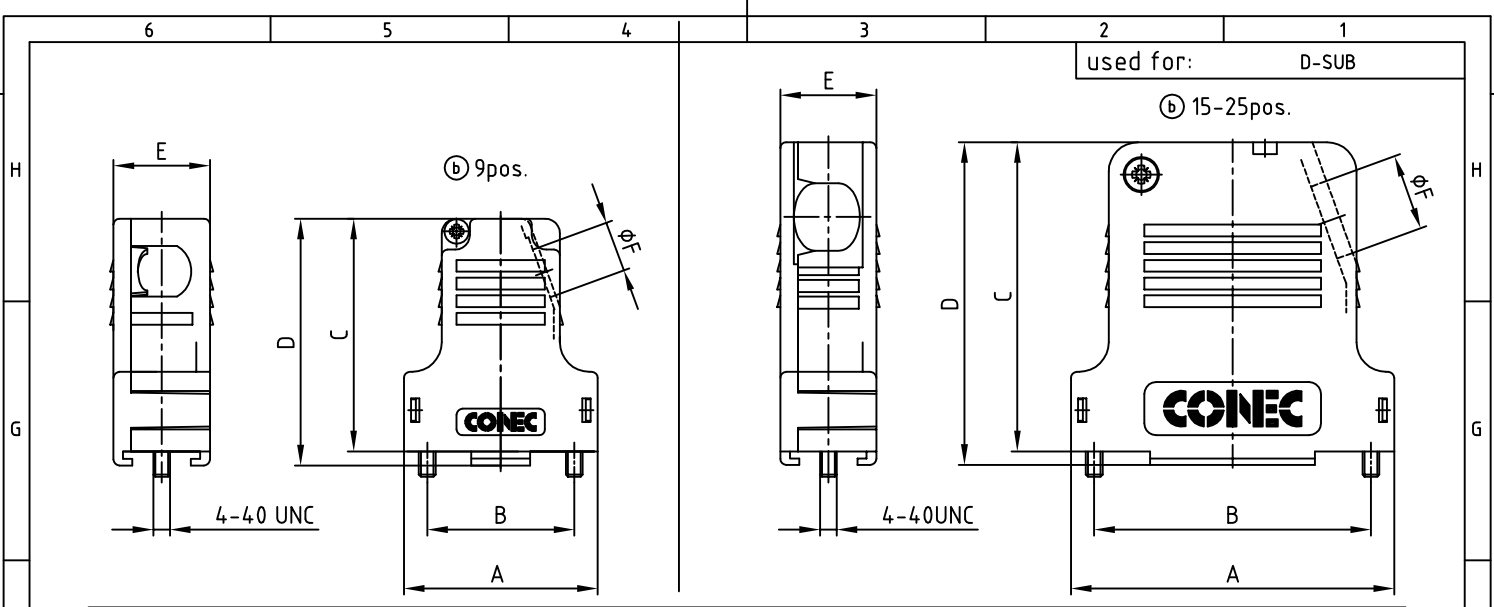
Contact us

Tel: +86-755-8981 8866 Fax: +86-755-8427 6832

Email & Skype: info@chipsmall.com Web: www.chipsmall.com

Address: A1208, Overseas Decoration Building, #122 Zhenhua RD., Futian, Shenzhen, China





No. of pos.	A	B	C	D	E	ØF cable diameter		Part-NO. Single package	Part-NO. Bulk package	
						WITH PRESS INSERT	WITHOUT PRESS INSERT			
9	32.9	25.0	39.5	41.9	16.4	4.0 - 6.3	6.4 - 8.6	165X13519XE	165X13519X	
15	41.2	33.3	45.5	47.9	16.4	4.0 - 6.3	6.4 - 8.6	165X13529XE	165X13529X	600X10015XM
25	54.9	47.0	52.5	54.9	16.4	6.5 - 8.5	8.6 - 12.0	165X13539XE	165X13539X	
37	71.4	63.5	55.0	57.9	18.8	8.5 - 10.9	11.0 - 14.0	165X13549XE	165X13549X	
50	69.0	61.1	55.0	57.9	19.6	8.5 - 10.9	11.0 - 14.0	165X13559XE	165X13559X	

- Ⓢ HOOD ASSEMBLY CONSISTS OF:
- 1 x HOOD + COVER: ABS UL 94 V-0; METALLIZED
 - 1 x PRESS INSERT: ABS UL 94 V-0; METALLIZED
 - 2 x JACKSCREWS: BRASS; NICKEL PLATED
 - 2 x SCREW FOR STRAIN RELIEF: STEEL; NICKEL PLATED
 - 1 x COVER SCREW (9-25pos.): STEEL; NICKEL PLATED
 - 2 x COVER SCREW (37-50pos.): STEEL; NICKEL PLATED
 - 1 x STRAIN RELIEF: STEEL; NICKEL PLATED
- TECHNICAL DATA:
- TEMPERATURE RANGE: -33°C to +90°C

Directive 2002/95/EC RoHS compliant

APPROVAL # FREIGABE # DEBLOCAGE # AUTORIZACION # APPROVAL

CUSTOMER APPROVAL DATE:

NAME: TITLE:

COMPANY NAME:

APPROVAL # FREIGABE # DEBLOCAGE # AUTORIZACION # APPROVAL

THIS DRAWING MAY NOT BE COPIED OR REPRODUCED IN ANY WAY, AND MAY NOT BE PASSED ON TO A THIRD PARTY, WITHOUT WRITTEN PERMISSION. OWNERSHIP AND COPYRIGHT OF CONEC GmbH DO NOT ALTER CAD DRAWING BY HAND

rev.	description	date	name
1 x c	Ä6960	17.10.2013	Lehmen, d-old
5 x b	Ä2544	04.08.2006	Lehmen,
a	Origin		

tolerance	dim. in mm	scale:	1:1
		material:	SEE DRAWING
		title:	PLASTIC HOOD 9-50pos. with side cable exit
		dwg no:	AutoCAD 2006 16K2A009A
		part no:	SEE TABLE
		DIN-A	3
		sh:	1/1

