



Chipsmall Limited consists of a professional team with an average of over 10 year of expertise in the distribution of electronic components. Based in Hongkong, we have already established firm and mutual-benefit business relationships with customers from,Europe,America and south Asia,supplying obsolete and hard-to-find components to meet their specific needs.

With the principle of “Quality Parts,Customers Priority,Honest Operation,and Considerate Service”,our business mainly focus on the distribution of electronic components. Line cards we deal with include Microchip,ALPS,ROHM,Xilinx,Pulse,ON,Everlight and Freescale. Main products comprise IC,Modules,Potentiometer,IC Socket,Relay,Connector.Our parts cover such applications as commercial,industrial, and automotives areas.

We are looking forward to setting up business relationship with you and hope to provide you with the best service and solution. Let us make a better world for our industry!



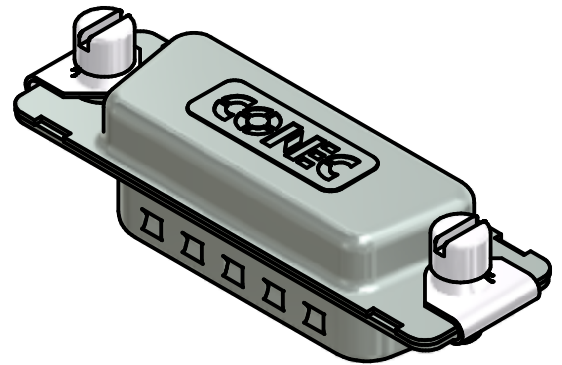
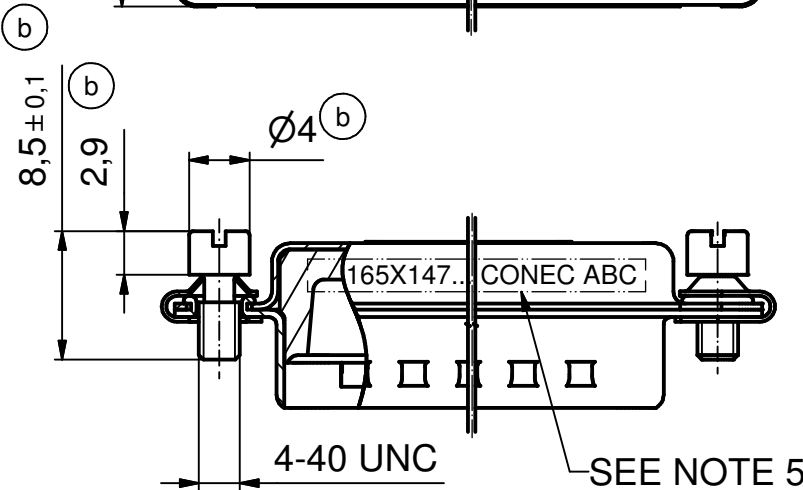
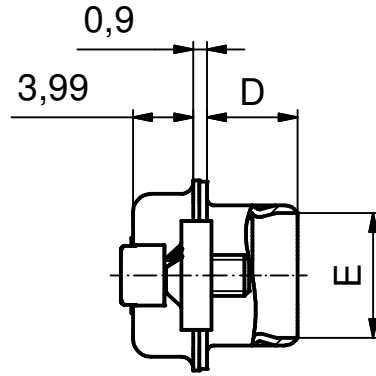
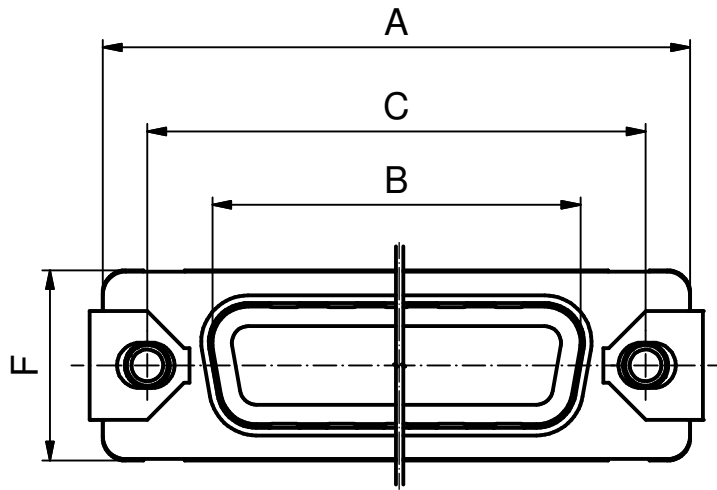
Contact us

Tel: +86-755-8981 8866 Fax: +86-755-8427 6832

Email & Skype: info@chipsmall.com Web: www.chipsmall.com

Address: A1208, Overseas Decoration Building, #122 Zhenhua RD., Futian, Shenzhen, China





(c) NOTES:

1. METALSHELLS: COPPER ALLOY;
min. 315µin TIN over 40-80µin NICKEL
2. INSULATOR: TPE
3. CLAMPS: STAINLESS STEEL
4. SCREW: STAINLESS STEEL

(d) 5. CONNECTOR IS PART MARKED: PART NO. CONEC ABC

No. of pos.	A ^{-0,76}	B ^{+0,25}	C	D ^{-0,3}	(d) E ⁺²⁵	(d) F ^{-0,76}	Part No.: Bulk package	Part No.: (e) Single package
9	31,19	16,79	25,00 ^{+0,12 -0,10}	6,12	8,23	12,93	165X14719X	165X14719XE
15	39,52	25,12	33,30 ^{+0,15}	6,12	8,23	12,93	165X14729X	165X14729XE
25	53,42	38,84	47,04 ^{+0,13}	5,99	8,23	12,93	165X14739X	165X14739XE
37	69,70	55,30	63,50 ^{+0,13 -0,11}	5,99	8,23	12,93	165X14749X	165X14749XE
50	67,31	52,68	61,10 ^{+0,14 -0,11}	5,99	10,95	15,75	165X14759X	165X14759XE

THIS DRAWING MAY NOT BE COPIED OR REPRODUCED IN ANY WAY, AND MAY NOT BE PASSED ON TO A THIRD PARTY WITHOUT WRITTEN PERMISSION. OWNERSHIP AND COPYRIGHT OF CONEC GmbH

DO NOT ALTER CAD DRAWING BY HAND

				tolerance		dim. in mm	
				date	name		
				drawn	10.09.01	E.Mickenbecker	
1 x e	Ä4033	30.06.2011	K.H.	appd.	10.09.01	A.Mickenbecker	
3 x d	Ä3662	23.08.2010	K.H.	norm	DIN 41652		
1 x c	Ä1912	06.04.2004	Lehmen	d-old			
3 x b	Ä1788	06.06.2004	Lehmen				
a	Origin						
rev.	description	date	name				



scale:	2:1	
material:	SEE NOTES	
title:	HOOD 9 - 50pos. FOR SOCKET CONNECTOR water resiatant, shielded for EMI/RFI	
dwg no:	Inventor 10	DIN-A4
part no:	16K1A291A	sh: 1
part no:	SEE TABLE	