



Chipsmall Limited consists of a professional team with an average of over 10 year of expertise in the distribution of electronic components. Based in Hongkong, we have already established firm and mutual-benefit business relationships with customers from,Europe,America and south Asia,supplying obsolete and hard-to-find components to meet their specific needs.

With the principle of “Quality Parts,Customers Priority,Honest Operation,and Considerate Service”,our business mainly focus on the distribution of electronic components. Line cards we deal with include Microchip,ALPS,ROHM,Xilinx,Pulse,ON,Everlight and Freescale. Main products comprise IC,Modules,Potentiometer,IC Socket,Relay,Connector.Our parts cover such applications as commercial,industrial, and automotives areas.

We are looking forward to setting up business relationship with you and hope to provide you with the best service and solution. Let us make a better world for our industry!



Contact us

Tel: +86-755-8981 8866 Fax: +86-755-8427 6832

Email & Skype: info@chipsmall.com Web: www.chipsmall.com

Address: A1208, Overseas Decoration Building, #122 Zhenhua RD., Futian, Shenzhen, China



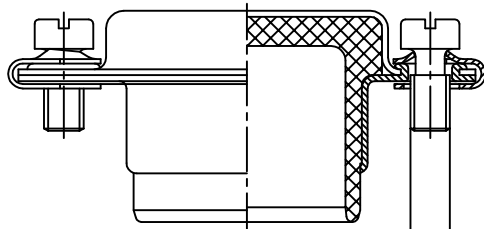
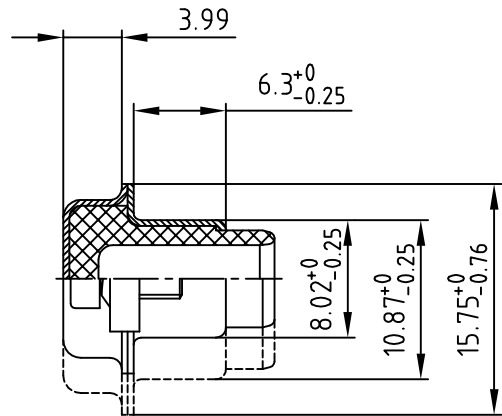
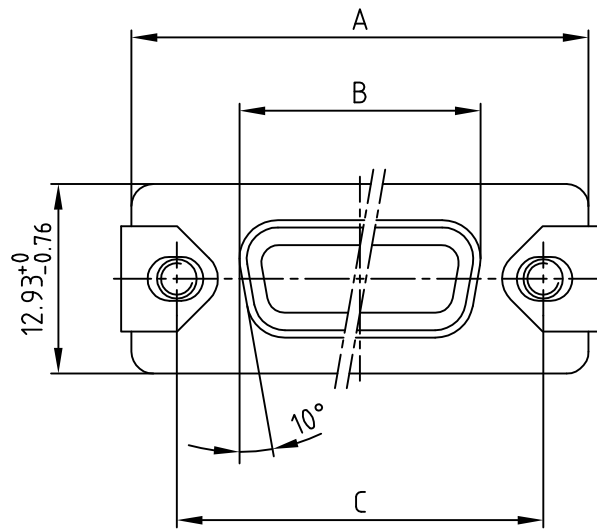
4

3

2

1

used for: D-SUB



4-40 UNC

NOTES:

- Ⓒ 1. METALSHELLS: COPPER ALLOY;
min. 315µin TIN over 40-80µin Nickel
- 2. INSULATORS: TPE
- Ⓒ 3. CLAMPS: STAINLESS STEEL
- Ⓒ 4. SCREWS: STAINLESS STEEL

Directive 2002/95/EC RoHS compliant

Shellsize	A -0.76	B -0.25	C	Part No: Bulk package	Part No: Ⓒ Single package
1	31.19	16.46	25.00 ^{+0.12} / _{-0.13}	165X14769X	165X14769XE
2	39.52	24.79	33.30 ^{+0.15} / _{-0.1}	165X14779X	165X14779XE
3	53.42	38.50	47.04 ±0.13	165X14789X	165X14789XE
4	69.70	54.96	63.50 ±0.13	165X14799X	165X14799XE
5	67.31	52.55	61.10 ^{+0.14} / _{-0.11}	165X14809X	165X14809XE

THIS DRAWING MAY NOT BE COPIED OR
 REPRODUCED IN ANY WAY, AND MAY NOT
 BE PASSED ON TO A THIRD PARTY WITHOUT
 WRITTEN PERMISSION.
 OWNERSHIP AND COPYRIGHT OF CONEC GmbH
 DO NOT ALTER CAD DRAWING BY HAND

tolerance				scale:	2:1
2001	date	name		material:	SEE NOTES
drawn	10.09.	E. Mickenbecker		title:	HOOD 9-50pos. for plug connector water resistant, shielded for EMI/RFI
appd.	10.09.	A. Mickenbecker			
norm	DIN 41652				
3 x c	Ä4329	11.06.2012	K.H.	d-old	
1 x b	Ä4033	30.06.2011	K.H.	dwg no: AutoCAD 2000	
a	Original			16K1A290A	
rev.	description	date	name	part no: SEE TABLE	

 DIN-A
4
sh: 1/1

4

3

2

1