



Chipsmall Limited consists of a professional team with an average of over 10 year of expertise in the distribution of electronic components. Based in Hongkong, we have already established firm and mutual-benefit business relationships with customers from,Europe,America and south Asia,supplying obsolete and hard-to-find components to meet their specific needs.

With the principle of "Quality Parts,Customers Priority,Honest Operation,and Considerate Service",our business mainly focus on the distribution of electronic components. Line cards we deal with include Microchip,ALPS,ROHM,Xilinx,Pulse,ON,Everlight and Freescale. Main products comprise IC,Modules,Potentiometer,IC Socket,Relay,Connector.Our parts cover such applications as commercial,industrial, and automotives areas.

We are looking forward to setting up business relationship with you and hope to provide you with the best service and solution. Let us make a better world for our industry!



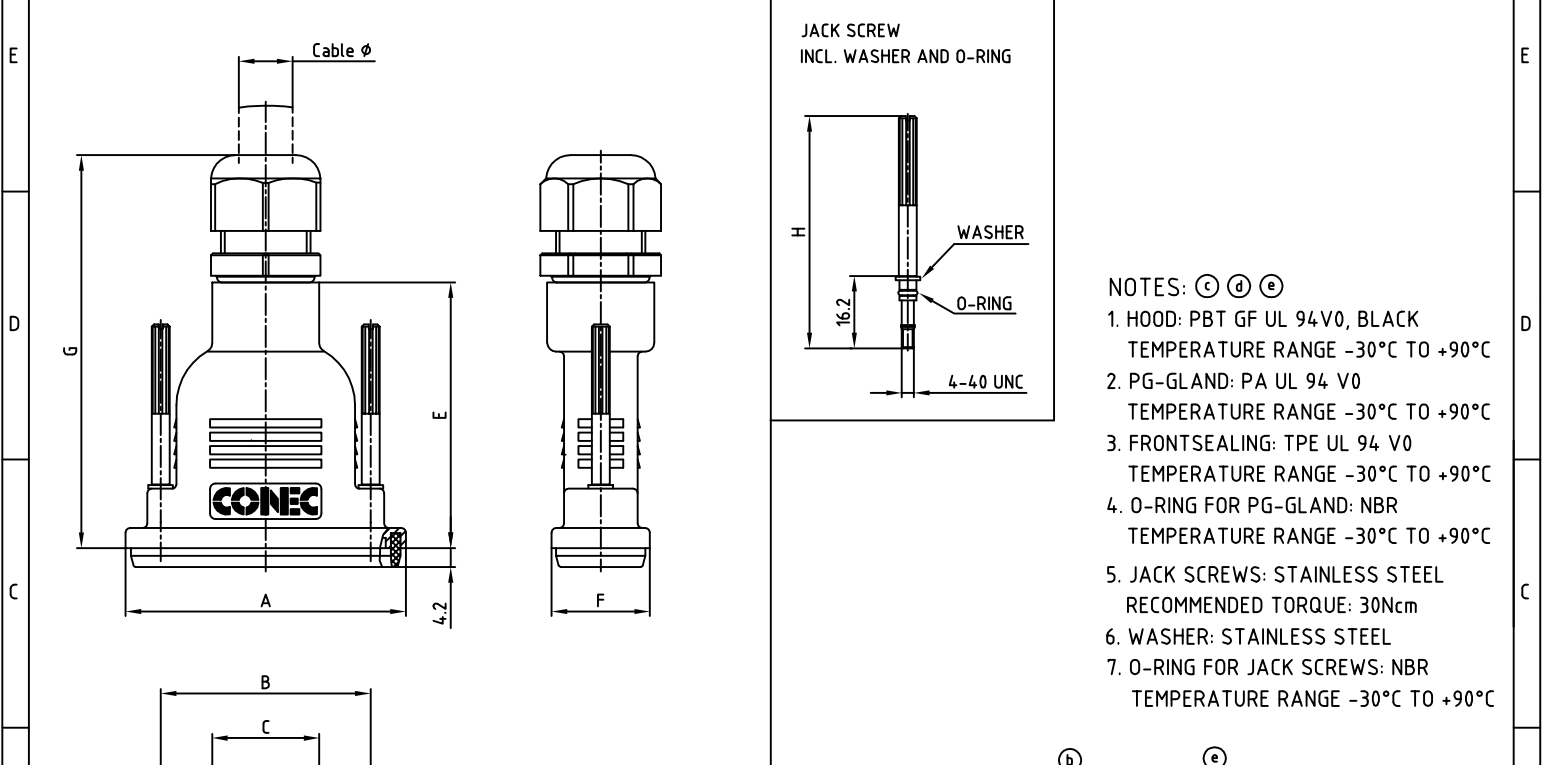
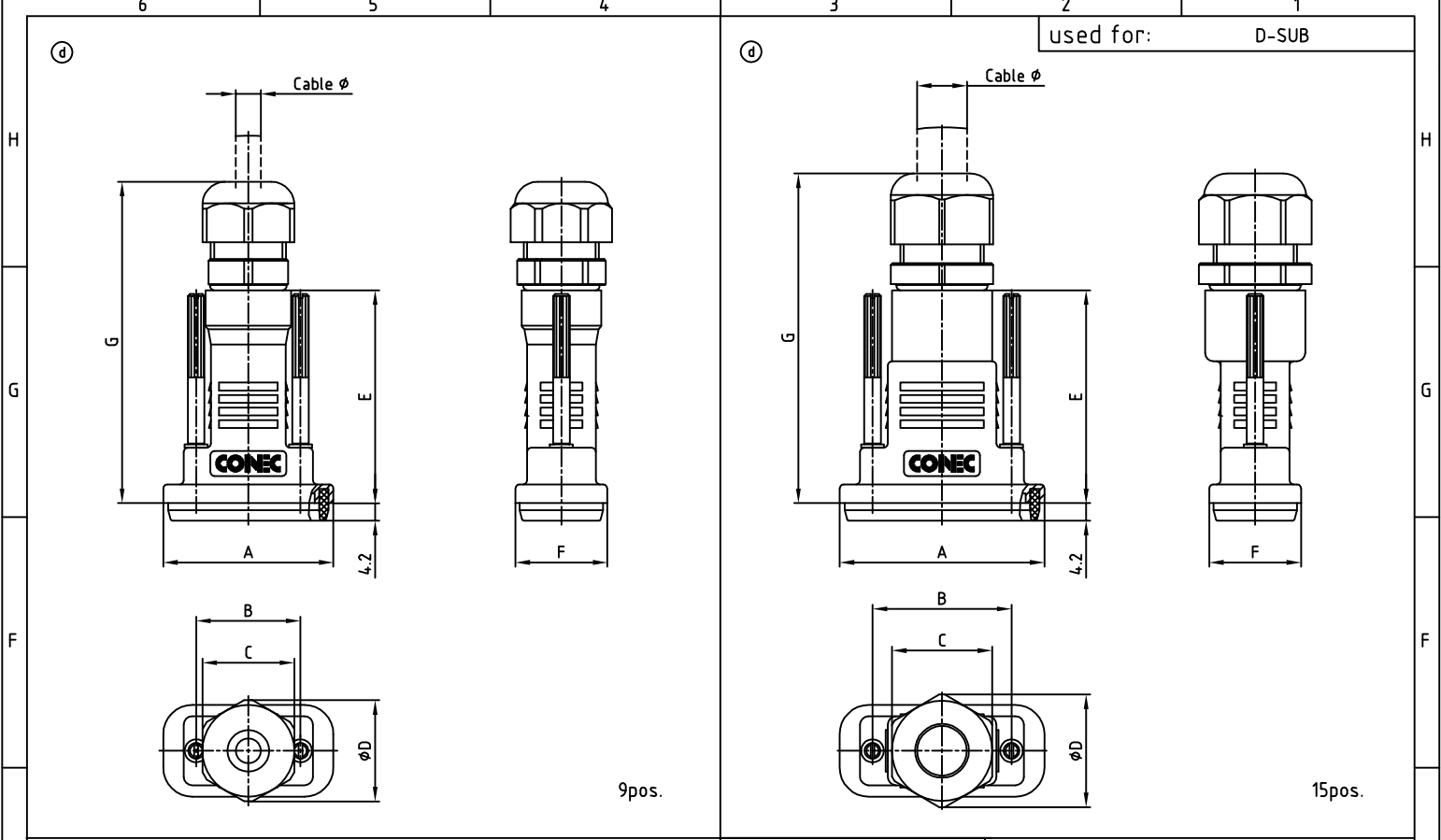
Contact us

Tel: +86-755-8981 8866 Fax: +86-755-8427 6832

Email & Skype: info@chipsmall.com Web: www.chipsmall.com

Address: A1208, Overseas Decoration Building, #122 Zhenhua RD., Futian, Shenzhen, China





- NOTES: (c) (d) (e)
- HOOD: PBT GF UL 94 V0, BLACK
TEMPERATURE RANGE -30°C TO +90°C
 - PG-GLAND: PA UL 94 V0
TEMPERATURE RANGE -30°C TO +90°C
 - FRONTSEALING: TPE UL 94 V0
TEMPERATURE RANGE -30°C TO +90°C
 - O-RING FOR PG-GLAND: NBR
TEMPERATURE RANGE -30°C TO +90°C
 - JACK SCREWS: STAINLESS STEEL
RECOMMENDED TORQUE: 30Ncm
 - WASHER: STAINLESS STEEL
 - O-RING FOR JACK SCREWS: NBR
TEMPERATURE RANGE -30°C TO +90°C

Shell-size	A	B	C	φD	E	F	G ^{±0.3}	H	RECOMMENDED TORQUE FOR PG-GLAND	Cable φ	Part NO.
1	40.76	25.0	SW 22	24.6	51.0	22.0	77.0	44.0	3.0 Nm	5 - 10	165X14819X
2	49.06	33.3	SW 24	26.5	51.0	22.0	79.0	52.0	4.5 Nm	6 - 12	165X14829X
3	62.80	47.04	SW 24	26.5	59.5	22.0	87.5	52.0	4.5 Nm	6 - 12	165X14839X
4	78.86	63.5	SW 33	36.2	67.0	22.0	99.0	52.0	4.0 Nm	9 - 16	165X14849X
5	76.46	61.1	SW 42	47.0	67.0	24.8	107.0	52.0	6.0 Nm	13 - 20	165X14859X

25-50pos.

tolerance

dim. in mm

scale: 1:1

material: SEE NOTES

title: WATER RESISTANT D-SUB HOOD
9-50pos.
with jack screw 4-40 UNC

dwg no: 16K1A489

part no: SEE TABLE

DIN-A 3 sh: 1/1

2002 date name

drawn 13.02. Parei

appd. 13.02. E.Mickenbecker

2 x e Ä4303 08.05.2012 K.H.

3 x d Ä3678 24.06.2010 Petker norm

1 x c Ä3141 13.10.2008 Sonne d-old

2 x b Ä1741 26.02.2003 Parei

rev. description date name

ORIGINAL

DO NOT ALTER CAD DRAWING BY HAND

OWNERSHIP AND COPYRIGHT OF CONEC GmbH

WRITTEN PERMISSION.

BE PASSED ON TO A THIRD PARTY WITHOUT

REPRODUCED IN ANY WAY, AND MAY NOT

THIS DRAWING MAY NOT BE COPIED OR

Directive 2002/95/EC RoHS compliant

