



Chipsmall Limited consists of a professional team with an average of over 10 year of expertise in the distribution of electronic components. Based in Hongkong, we have already established firm and mutual-benefit business relationships with customers from,Europe,America and south Asia,supplying obsolete and hard-to-find components to meet their specific needs.

With the principle of “Quality Parts,Customers Priority,Honest Operation,and Considerate Service”,our business mainly focus on the distribution of electronic components. Line cards we deal with include Microchip,ALPS,ROHM,Xilinx,Pulse,ON,Everlight and Freescale. Main products comprise IC,Modules,Potentiometer,IC Socket,Relay,Connector.Our parts cover such applications as commercial,industrial, and automotives areas.

We are looking forward to setting up business relationship with you and hope to provide you with the best service and solution. Let us make a better world for our industry!



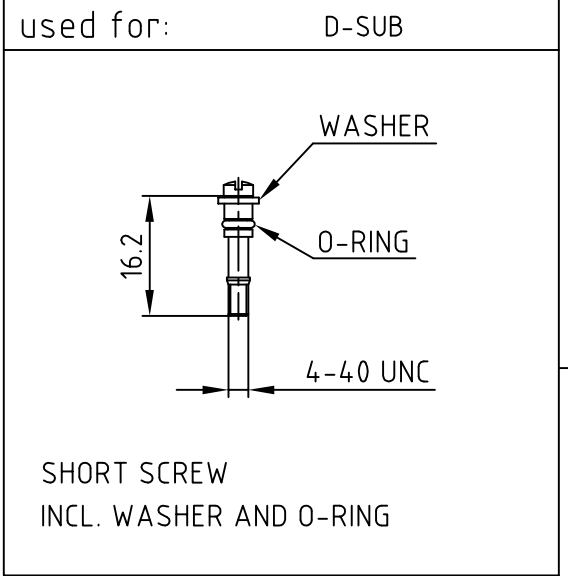
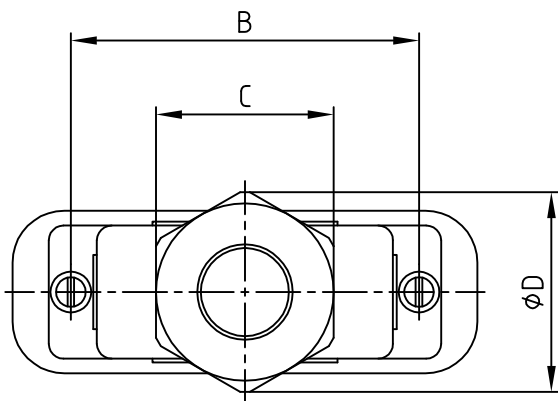
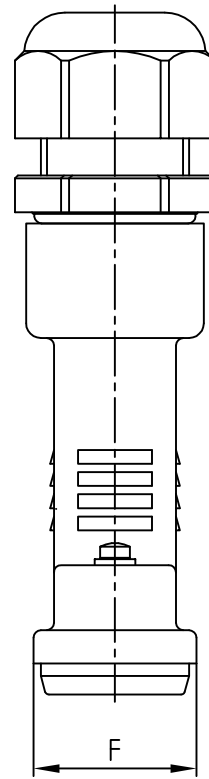
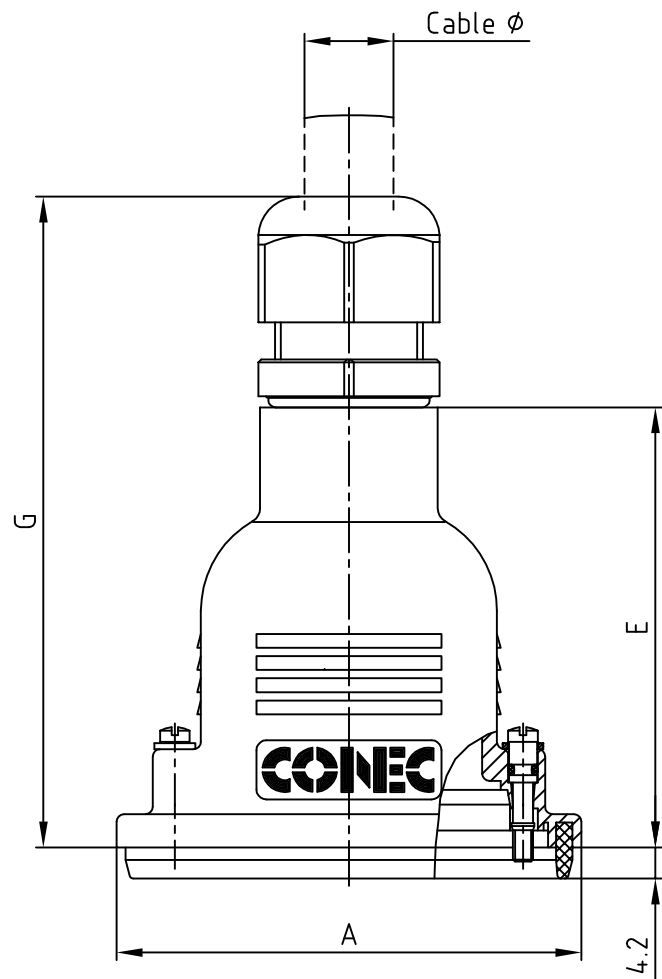
## Contact us

Tel: +86-755-8981 8866 Fax: +86-755-8427 6832

Email & Skype: info@chipsmall.com Web: www.chipsmall.com

Address: A1208, Overseas Decoration Building, #122 Zhenhua RD., Futian, Shenzhen, China





(b)

Shellsize	A	B	C	φD	E	F	G <sup>+1</sup> <sub>-3</sub>	Cable φ	Part-No. Bulk package	Part-No. Single package
1	40.76	25.0	SW 22	24.6	51.0	22.0	77.0	5 - 10	165X14869X	165X14869XE
2	49.06	33.3	SW 24	26.5	51.0	22.0	79.0	6 - 12	165X14879X	165X14879XE
3	62.80	47.04	SW 24	26.5	59.5	22.0	87.5	6 - 12	165X14889X	165X14889XE
4	78.86	63.5	SW 33	36.2	67.0	22.0	99.0	9 - 16	165X14899X	165X14899XE
5	76.46	61.1	SW 42	47.0	67.0	24.8	107.0	13 - 20	165X14909X	165X14909XE

NOTES:  
1. HOOD: PBT GF; BLACK  
2. SCREWS: STAINLESS STEEL

Directive 2002/95/EC RoHS compliant

THIS DRAWING MAY NOT BE COPIED OR REPRODUCED IN ANY WAY, AND MAY NOT BE PASSED ON TO A THIRD PARTY WITHOUT WRITTEN PERMISSION. OWNERSHIP AND COPYRIGHT OF CONEC GmbH DO NOT ALTER CAD DRAWING BY HAND

tolerance		dim. in mm		scale: 1:1	
material: SEE NOTES		title: WATER RESISTANT D-SUB HOOD 9-50pos. with short screw		DIN-A 3	
2004		date		name	
drawn		25.11.		Lehmenkühler	
appd.		25.11.		Mickenbecker	
norm					
d-old					
1 x b	Ä 4085	31.08.2011	Lehmen	<b>CONEC</b> <sup>®</sup>	
a	Original				
rev.	description	date	name		

dwg no: 16K1A1289		DIN-A 3	
part no: SEE TABLE		sh: 1/1	