



Chipsmall Limited consists of a professional team with an average of over 10 year of expertise in the distribution of electronic components. Based in Hongkong, we have already established firm and mutual-benefit business relationships with customers from,Europe,America and south Asia,supplying obsolete and hard-to-find components to meet their specific needs.

With the principle of “Quality Parts,Customers Priority,Honest Operation,and Considerate Service”,our business mainly focus on the distribution of electronic components. Line cards we deal with include Microchip,ALPS,ROHM,Xilinx,Pulse,ON,Everlight and Freescale. Main products comprise IC,Modules,Potentiometer,IC Socket,Relay,Connector.Our parts cover such applications as commercial,industrial, and automotives areas.

We are looking forward to setting up business relationship with you and hope to provide you with the best service and solution. Let us make a better world for our industry!



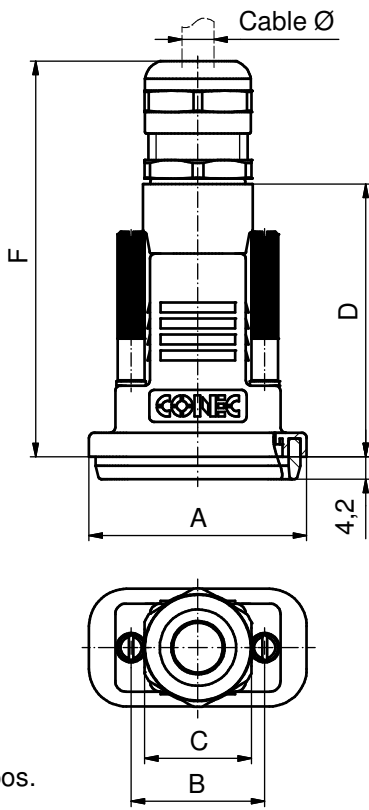
Contact us

Tel: +86-755-8981 8866 Fax: +86-755-8427 6832

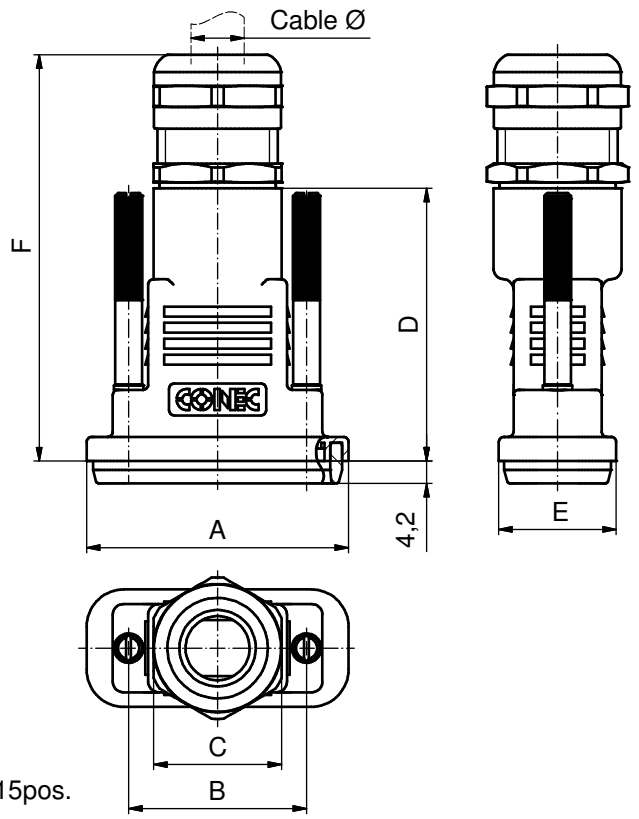
Email & Skype: info@chipsmall.com Web: www.chipsmall.com

Address: A1208, Overseas Decoration Building, #122 Zhenhua RD., Futian, Shenzhen, China

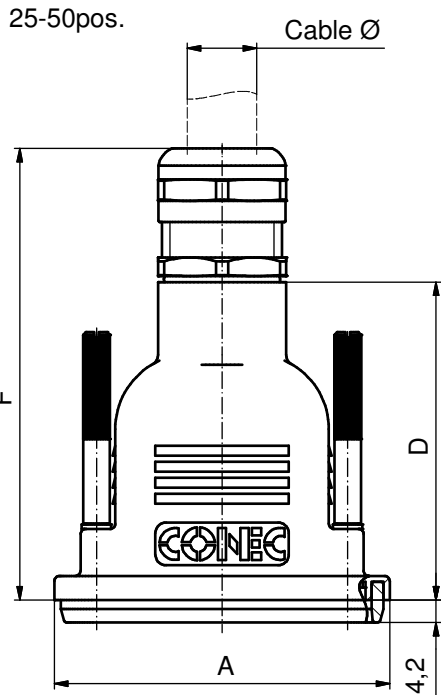




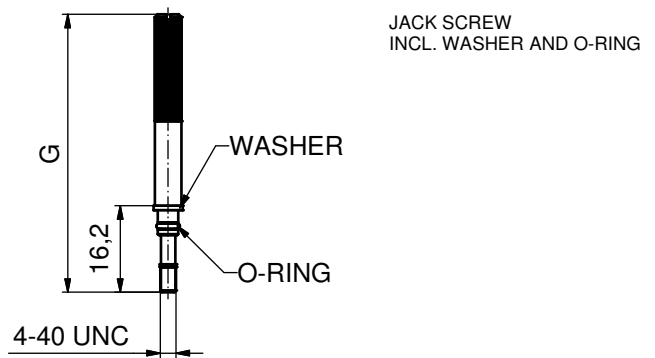
9pos.



15pos.

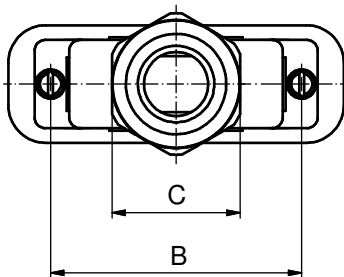


25-50pos.



JACK SCREW
INCL. WASHER AND O-RING

- NOTES:**
- HOOD: ABS V0, METALLIZED
TEMPERATURE RANGE -30°C TO +90°C
 - GLAND: BRASS; NICKEL PLATED
TEMPERATURE RANGE -30°C TO +90°C
 - FRONTSEALING: TPE UL 94 V0
TEMPERATURE RANGE -30°C TO +90°C
 - O-RING FOR GLAND: NBR
TEMPERATURE RANGE -30°C TO +90°C
 - JACK SCREW: STAINLESS STEEL
RECOMMENDED TORQUE: 30 Ncm
 - WASHER: STAINLESS STEEL
 - O-RING FOR JACK SCREW: NBR
TEMPERATURE RANGE -30°C TO +90°C



Shell-size	A	B	C	D	E	F	G	Cable Ø	RECOMMENDED TORQUE FOR PG-GLAND (d)	Part No. Bulk package	Part No. Single package (c)
1	40.76	25.0	SW 20	51.0	22.0	77.0	44.0	5 - 10	3,0 Nm	165X15019X	165X15019XE
2	49.06	33.3	SW 24	51.0	22.0	79.0	52.0	7 - 12	6,0 Nm	165X15029X	165X15029XE
3	62.80	47.04	SW 24	59.5	22.0	87.5	52.0	7 - 12	6,0 Nm	165X15039X	165X15039XE
4	78.86	63.5	SW 30	67.0	22.0	99.0	52.0	9 - 16	8,0 Nm	165X15049X	165X15049XE
5	76.46	61.1	SW 40	67.0	24.8	107.0	52.0	13 - 20	10,0 Nm	165X15059X	165X15059XE

Directive 2002/95/EC RoHS compliant

THIS DRAWING MAY NOT BE COPIED OR REPRODUCED IN ANY WAY, AND MAY NOT BE PASSED ON TO A THIRD PARTY WITHOUT WRITTEN PERMISSION. OWNERSHIP AND COPYRIGHT OF CONEC GmbH

DO NOT ALTER CAD DRAWING BY HAND

rev.	description	date	name	tolerance	dim. in mm
1 x d	Ä4221	14.02.2012	K.H.	norm	
2 x e	Ä3781	21.10.2010	K.H.	d-old	
2 x b	Ä3353	29.04.2009	Lehmen		
a	Original				

scale:	1:1
material:	SEE NOTES
title:	WATER RESISTANT D-SUB HOOD 9-50pos. with jack screws
dwg no:	16K1A1115
part no:	SEE TABLE
DIN-A3	sh: 1

