



Chipsmall Limited consists of a professional team with an average of over 10 year of expertise in the distribution of electronic components. Based in Hongkong, we have already established firm and mutual-benefit business relationships with customers from,Europe,America and south Asia,supplying obsolete and hard-to-find components to meet their specific needs.

With the principle of “Quality Parts,Customers Priority,Honest Operation,and Considerate Service”,our business mainly focus on the distribution of electronic components. Line cards we deal with include Microchip,ALPS,ROHM,Xilinx,Pulse,ON,Everlight and Freescale. Main products comprise IC,Modules,Potentiometer,IC Socket,Relay,Connector.Our parts cover such applications as commercial,industrial, and automotives areas.

We are looking forward to setting up business relationship with you and hope to provide you with the best service and solution. Let us make a better world for our industry!



Contact us

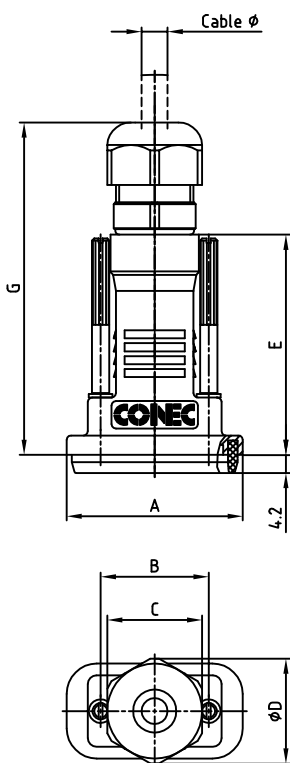
Tel: +86-755-8981 8866 Fax: +86-755-8427 6832

Email & Skype: info@chipsmall.com Web: www.chipsmall.com

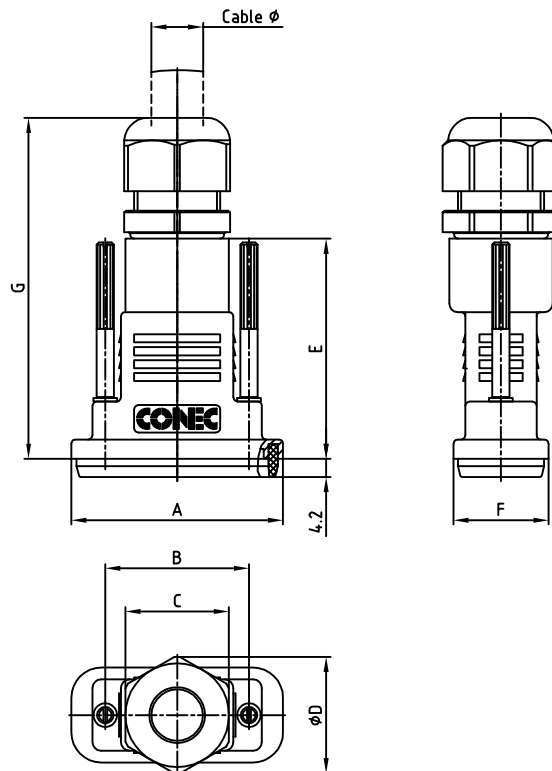
Address: A1208, Overseas Decoration Building, #122 Zhenhua RD., Futian, Shenzhen, China



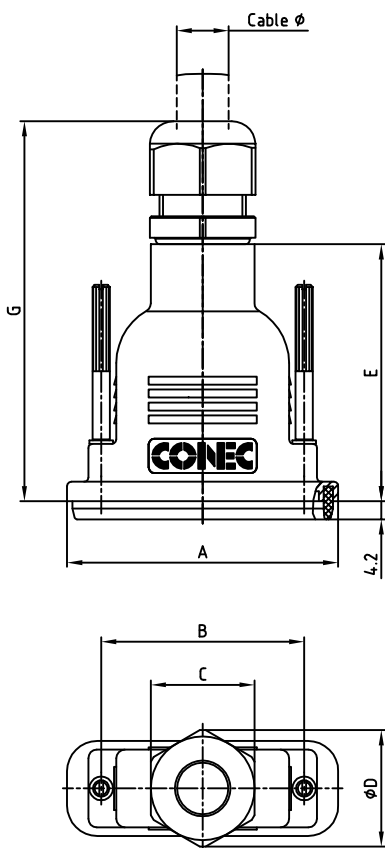
used for:



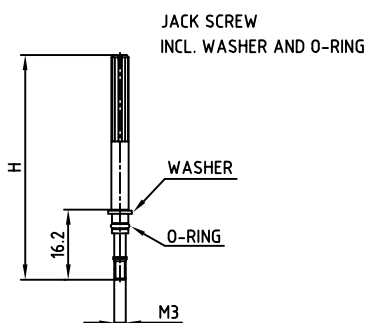
9pos.



15pos.



25-50pos.



NOTES: (b)

1. HOOD: PBT GF UL 94 V0, BLACK
TEMPERATURE RANGE -30°C TO +90°C
2. FRONTSEALING: TPE UL 94 V0
TEMPERATURE RANGE -30°C TO +90°C
3. O-RING: NBR
TEMPERATURE RANGE -30°C TO +90°C
4. SCREWS: STAINLESS STEEL
5. RECOMMENDED TORQUE FOR JACK SCREW 30N cm

(b)

Shell-size	A	B	C	ØD	E	F	G ₋₁₋₃	H	Cable Ø	Part NO. Bulk package	Part NO. Single package
1	40.76	25.0	SW 22	24.6	51.0	22.0	77.0	44.0	5 - 10	165X15119X	165X15119XE
2	49.06	33.3	SW 24	26.5	51.0	22.0	79.0	52.0	6 - 12	165X15129X	165X15129XE
3	62.80	47.04	SW 24	26.5	59.5	22.0	87.5	52.0	6 - 12	165X15139X	165X15139XE
4	78.86	63.5	SW 33	36.2	67.0	22.0	99.0	52.0	9 - 16	165X15149X	165X15149XE
5	76.46	61.1	SW 42	47.0	67.0	24.8	107.0	52.0	13 - 20	165X15159X	165X15159XE

Directive 2002/95/EC RoHS compliant

THIS DRAWING MAY NOT BE COPIED OR REPRODUCED IN ANY WAY, AND MAY NOT BE PASSED ON TO A THIRD PARTY, WITHOUT WRITTEN PERMISSION. OWNERSHIP AND COPYRIGHT OF CONEC GmbH DO NOT ALTER CAD DRAWING BY HAND

tolerance		 dim. in mm		scale: 1:1	
2001		date		material: SEE NOTES	
drawn	06.11.	name		title:	
appd.	06.11.	E.Mickenbecker		WATER RESISTANT D-SUB HOOD	
norm				9-50 pos.	
d-old				with M3 thread	
2 x b	Ä3842	20.12.10	K.H.	dwg no:	
a	Origin			16K1A345A	
rev.	description	date	name	part no: SEE TABLE	



DIN-A
3
sh:1/1