



Chipsmall Limited consists of a professional team with an average of over 10 year of expertise in the distribution of electronic components. Based in Hongkong, we have already established firm and mutual-benefit business relationships with customers from,Europe,America and south Asia,supplying obsolete and hard-to-find components to meet their specific needs.

With the principle of “Quality Parts,Customers Priority,Honest Operation,and Considerate Service”,our business mainly focus on the distribution of electronic components. Line cards we deal with include Microchip,ALPS,ROHM,Xilinx,Pulse,ON,Everlight and Freescale. Main products comprise IC,Modules,Potentiometer,IC Socket,Relay,Connector.Our parts cover such applications as commercial,industrial, and automotives areas.

We are looking forward to setting up business relationship with you and hope to provide you with the best service and solution. Let us make a better world for our industry!



Contact us

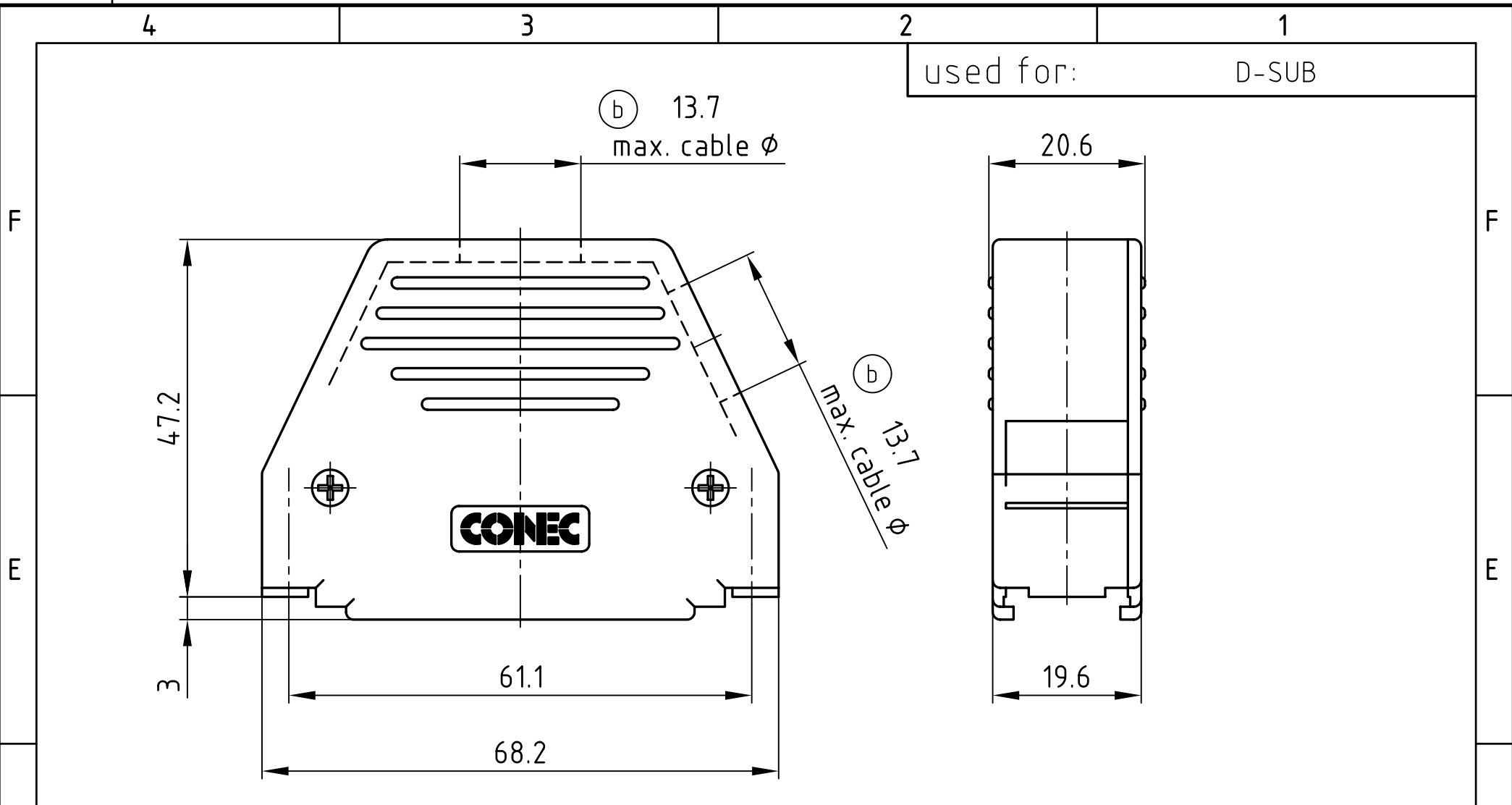
Tel: +86-755-8981 8866 Fax: +86-755-8427 6832

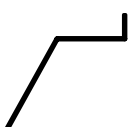
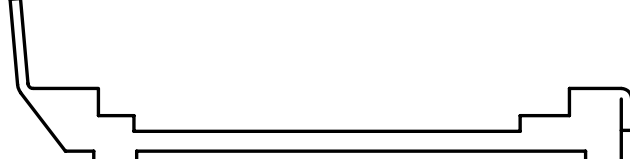
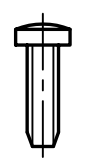
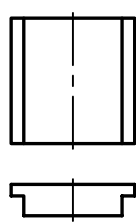
Email & Skype: info@chipsmall.com Web: www.chipsmall.com

Address: A1208, Overseas Decoration Building, #122 Zhenhua RD., Futian, Shenzhen, China



used for: D-SUB



- | | |
|---|--|
| 
1 x SPRING | 
1 x SLIDE LOCK |
| 
2 x SCREW | 
1 x BLIND PLUG |

MATERIAL:
 HOOD: ABS UL 94 V-0; BLACK
 SPRING: STEEL; TIN PLATED
 SLIDE LOCK: STEEL; NICKEL PLATED
 SCREWS: STEEL; NICKEL PLATED
 BLIND PLUG: ABS UL 94 V-0; BLACK

APPROVAL # FREIGABE # DEBLOCAGE # AUTOR/ZACION # APPROVAL

CUSTOMER APPROVAL DATE:

NAME: TITLE:

COMPANY NAME:

APPROVAL # FREIGABE # DEBLOCAGE # AUTOR/ZACION # APPROVAL



THIS DRAWING MAY NOT BE COPIED OR REPRODUCED IN ANY WAY, AND MAY NOT BE PASSED ON TO A THIRD PARTY WITHOUT WRITTEN PERMISSION.
 OWNERSHIP AND COPYRIGHT OF CONEC GmbH
 DO NOT ALTER CAD DRAWING BY HAND

				tolerance		dim. in mm	
				2006	date	name	
				drawn	15.03.	Lehmenkühler	
				appd.	15.03.	Mickenbecker	
				norm			
				d-old			
2 x b	Ä 2620	05.12.2006	ES	CONEC®			
a	Origin						
rev.	description	date	name				

scale:		1:1	
material:		SEE NOTES	
title:			
PLASTIC HOOD 50pos. WITH TOP AND SIDE CABLE EXIT with slide lock and spring			
dwg no:		AutoCAD 2006	DIN-A
		16K1A1778	4
		sh: 1/1	
part no:		165X16549X	