



Chipsmall Limited consists of a professional team with an average of over 10 year of expertise in the distribution of electronic components. Based in Hongkong, we have already established firm and mutual-benefit business relationships with customers from,Europe,America and south Asia,supplying obsolete and hard-to-find components to meet their specific needs.

With the principle of "Quality Parts,Customers Priority,Honest Operation,and Considerate Service",our business mainly focus on the distribution of electronic components. Line cards we deal with include Microchip,ALPS,ROHM,Xilinx,Pulse,ON,Everlight and Freescale. Main products comprise IC,Modules,Potentiometer,IC Socket,Relay,Connector.Our parts cover such applications as commercial,industrial, and automotives areas.

We are looking forward to setting up business relationship with you and hope to provide you with the best service and solution. Let us make a better world for our industry!



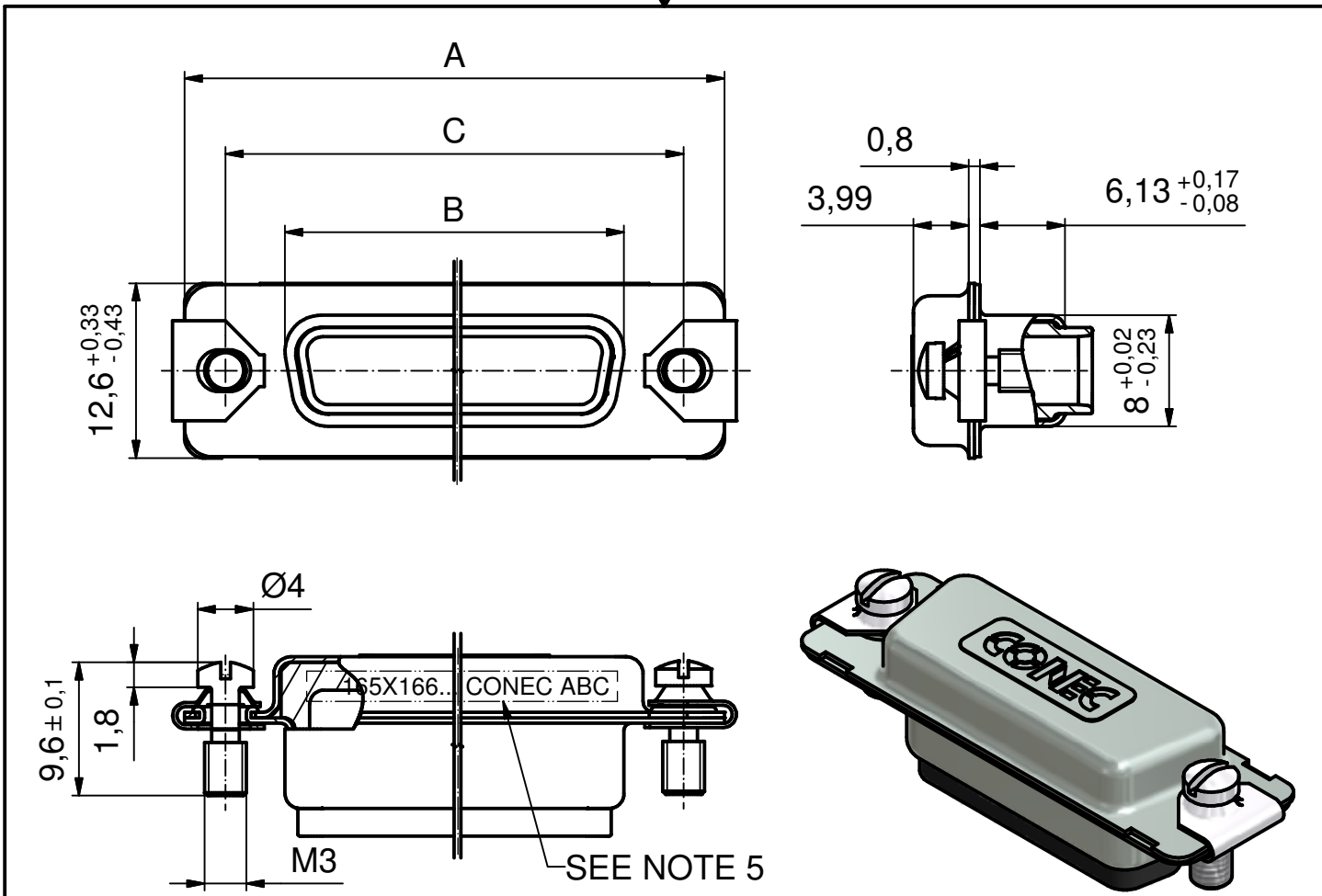
Contact us

Tel: +86-755-8981 8866 Fax: +86-755-8427 6832

Email & Skype: info@chipsmall.com Web: www.chipsmall.com

Address: A1208, Overseas Decoration Building, #122 Zhenhua RD., Futian, Shenzhen, China





NOTES:

1. METALSHELLS: COPPER ALLOY;
min. 315µin TIN over 40-80µin NICKEL
2. INSULATOR: TPE
3. CLAMPS: STAINLESS STEEL
4. SCREW: STAINLESS STEEL
5. CONNECTOR IS PART MARKED: PART NO. CONEC ABC

Directive 2002/95/EC RoHS compliant

No. of pos.	A _{-0,76}	B _{+0,25}	C	Part-No. Bulk package	Part-No. Single package
9	31,19	16,46	25,00 ^{+0,12} _{-0,13}	165X16669X	165X16669XE
15	39,52	24,79	33,30 ^{+0,15} _{-0,1}	165X16679X	165X16679XE
25	53,42	38,50	47,04 ± 0,13	165X16689X	165X16689XE
37	69,70	54,96	63,50 ± 0,13	165X16699X	165X16699XE
50	67,31	52,55	61,10 ^{+0,14} _{-0,11}	165X16709X	165X16709XE

THIS DRAWING MAY NOT BE COPIED OR REPRODUCED IN ANY WAY, AND MAY NOT BE PASSED ON TO A THIRD PARTY WITHOUT WRITTEN PERMISSION. OWNERSHIP AND COPYRIGHT OF CONEC GmbH	DO NOT ALTER CAD DRAWING BY HAND				tolerance		 dim. in mm	scale: 2:1			
								material: SEE NOTES			
								title: HOOD 9 - 50pos. FOR PLUG CONNECTOR water resiant, shielded for EMI/RFI			
							date			name	
							drawn			30.06.11 Henneboel	
							appd.	01.07.11 Fischer			
						norm					
						d-old					
								dwg no: 16K1A2842			
								DIN-A4 sh: 1			
								part no: SEE TABLE			