



Chipsmall Limited consists of a professional team with an average of over 10 year of expertise in the distribution of electronic components. Based in Hongkong, we have already established firm and mutual-benefit business relationships with customers from,Europe,America and south Asia,supplying obsolete and hard-to-find components to meet their specific needs.

With the principle of “Quality Parts,Customers Priority,Honest Operation,and Considerate Service”,our business mainly focus on the distribution of electronic components. Line cards we deal with include Microchip,ALPS,ROHM,Xilinx,Pulse,ON,Everlight and Freescale. Main products comprise IC,Modules,Potentiometer,IC Socket,Relay,Connector.Our parts cover such applications as commercial,industrial, and automotives areas.

We are looking forward to setting up business relationship with you and hope to provide you with the best service and solution. Let us make a better world for our industry!



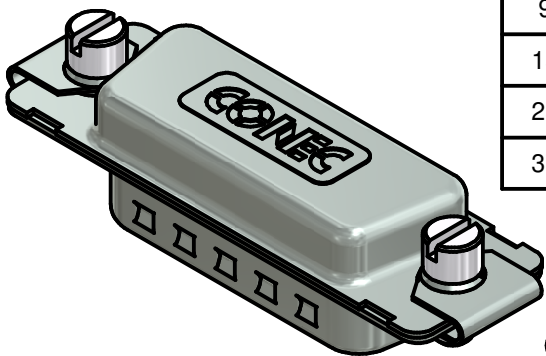
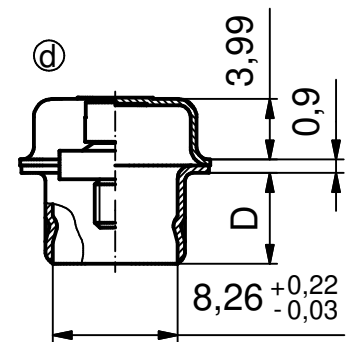
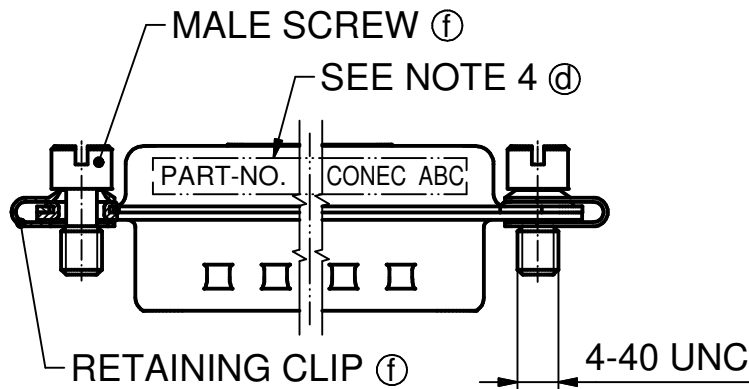
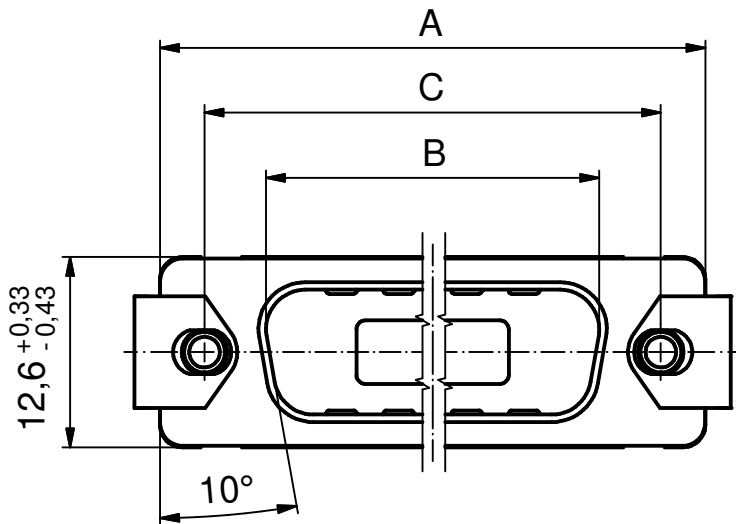
Contact us

Tel: +86-755-8981 8866 Fax: +86-755-8427 6832

Email & Skype: info@chipsmall.com Web: www.chipsmall.com

Address: A1208, Overseas Decoration Building, #122 Zhenhua RD., Futian, Shenzhen, China





POS.	A -0.76	B -0.25	C	D -0.3	Part-No. Bulk Package	Part-No. © Single Package
9	31,19	16,79	25,00 ^{+0,12} / _{-0,13}	6,12	165X16719X	165X16719XE
15	39,52	25,12	33,30 ^{+0,15} / _{-0,1}	6,12	165X16729X	165X16729XE
25	53,42	38,84	47,04 ± 0,13	5,99	165X16739X	165X16739XE
37	69,70	55,30	63,50 ± 0,13	5,99	165X16749X	165X16749XE

NOTES:

1. SCREEN CAP: STEEL; TIN PLATED
- (f)(c)(b) 2. MALE SCREWS: BRASS; NICKEL PLATED
- (c)(b) 3. RETAINING CLIPS: STAINLESS STEEL
- (d) 4. CONNECTOR IS PART MARKED: [PART-NO. CONEC ABC]

Directive 2002/95/EC RoHS compliant

THIS DRAWING MAY NOT BE COPIED OR REPRODUCED IN ANY WAY, AND MAY NOT BE PASSED ON TO A THIRD PARTY WITHOUT WRITTEN PERMISSION. OWNERSHIP AND COPYRIGHT OF CONEC GmbH	DO NOT ALTER CAD DRAWING BY HAND				tolerance		 dim. in mm	scale: 2:1	
								material: SEE NOTES	
					date		name		title: COVERED SCREEN CAP 9-37pos. for socket connector
	3 x f	Ä 3968	11.05.2011	Lehm.	drawn	26.04.01	Parei		
	1 x e	Ä 3626	22.04.2010	K.H.	appd.	26.04.01	Mickenbecker		
	3 x d	Ä 3463	20.10.2009	Petker	norm			dwg no:	
	2 x c	Ä 2440	10.02.2006	Lehm.	d-old			16K1A184A	
2 x b	Ä 1872	29.10.2003	Lehm.					DIN-A4	
a	Original							sh: 1	
rev.	description	date	name			part no: SEE TABLE			