



Chipsmall Limited consists of a professional team with an average of over 10 year of expertise in the distribution of electronic components. Based in Hongkong, we have already established firm and mutual-benefit business relationships with customers from,Europe,America and south Asia,supplying obsolete and hard-to-find components to meet their specific needs.

With the principle of “Quality Parts,Customers Priority,Honest Operation,and Considerate Service”,our business mainly focus on the distribution of electronic components. Line cards we deal with include Microchip,ALPS,ROHM,Xilinx,Pulse,ON,Everlight and Freescale. Main products comprise IC,Modules,Potentiometer,IC Socket,Relay,Connector.Our parts cover such applications as commercial,industrial, and automotives areas.

We are looking forward to setting up business relationship with you and hope to provide you with the best service and solution. Let us make a better world for our industry!



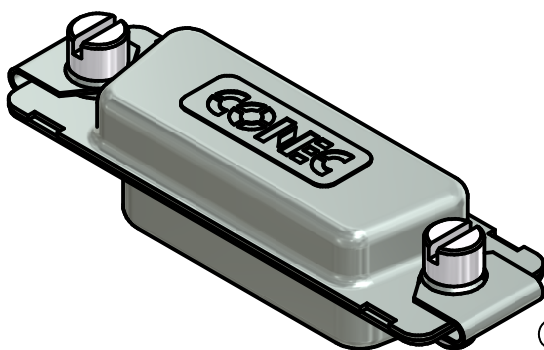
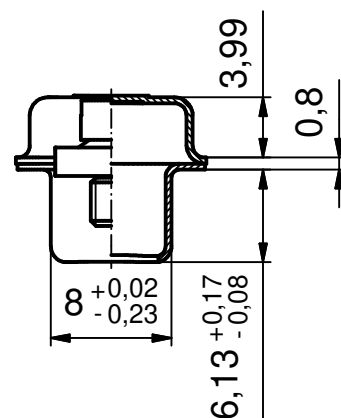
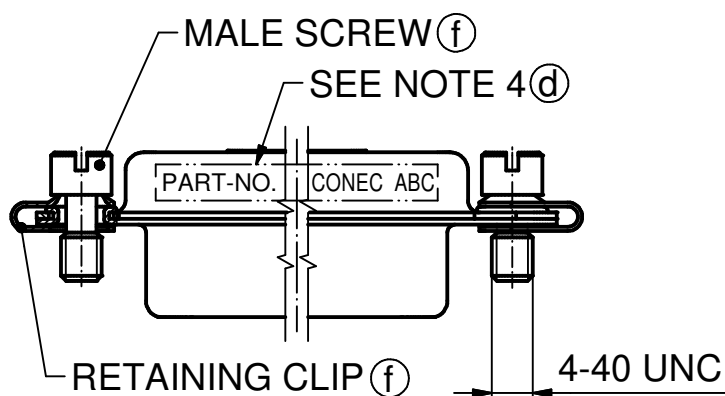
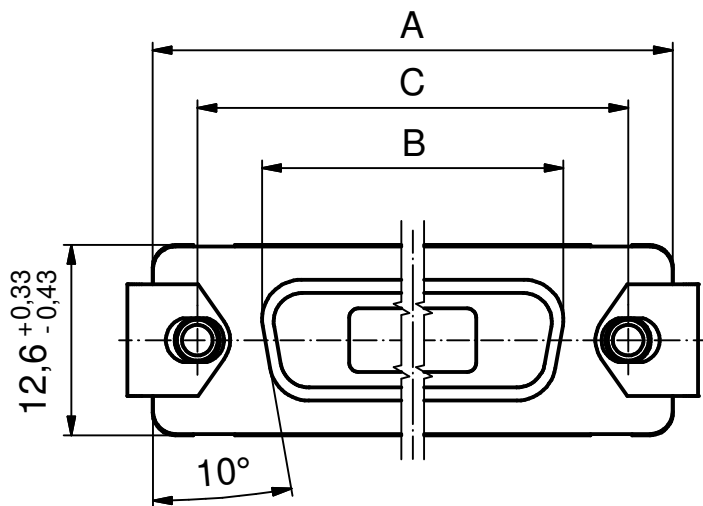
Contact us

Tel: +86-755-8981 8866 Fax: +86-755-8427 6832

Email & Skype: info@chipsmall.com Web: www.chipsmall.com

Address: A1208, Overseas Decoration Building, #122 Zhenhua RD., Futian, Shenzhen, China





POS.	A -0.76	B -0.25	C	Part-No. Bulk Package	Part-No. © Single Package
9	31,19	16.46	25,00 ^{+0,12} _{-0,13}	165X16769X	165X16769XE
15	39,52	24.79	33,30 ^{+0,15} _{-0,1}	165X16779X	165X16779XE
25	53,42	38.50	47,04 ±0,13	165X16789X	165X16789XE
37	69,70	54.96	63,50 ±0,13	165X16799X	165X16799XE

NOTES:

1. SCREEN CAP: STEEL; TIN PLATED

(f) (c) (b) 2. MALE SCREWS: BRASS; NICKEL PLATED

(c) (b) 3. RETAINING CLIPS: STAINLESS STEEL

(d) 4. CONNECTOR IS PART MARKED: [PART-NO. CONEC ABC]

Directive 2002/95/EC RoHS compliant

THIS DRAWING MAY NOT BE COPIED OR REPRODUCED IN ANY WAY, AND MAY NOT BE PASSED ON TO A THIRD PARTY WITHOUT WRITTEN PERMISSION. OWNERSHIP AND COPYRIGHT OF CONEC GmbH

DO NOT ALTER CAD DRAWING BY HAND

		tolerance		dim. in mm	
rev.	description	date	name	date	name
3 x f	Ä 3968	11.05.2011	Lehm.	drawn	25.04.01 Parei
1 x e	Ä 3907	16.02.2011	HS	appd.	25.04.01 Mickenbecker
2 x d	Ä 3599	16.03.2010	Lehm.	norm	
2 x c	Ä 2440	10.02.2006	Lehm.	d-old	
2 x b	Ä 1872	29.10.2003	Lehm.		
a	Original				



scale:	2:1
material:	SEE NOTES
title: COVERED SCREEN CAP 9-37pos. for plug connector	
dwg no:	16K1A186A
part no:	SEE TABLE
DIN-A4	sh: 1