



Chipsmall Limited consists of a professional team with an average of over 10 year of expertise in the distribution of electronic components. Based in Hongkong, we have already established firm and mutual-benefit business relationships with customers from,Europe,America and south Asia,supplying obsolete and hard-to-find components to meet their specific needs.

With the principle of “Quality Parts,Customers Priority,Honest Operation,and Considerate Service”,our business mainly focus on the distribution of electronic components. Line cards we deal with include Microchip,ALPS,ROHM,Xilinx,Pulse,ON,Everlight and Freescale. Main products comprise IC,Modules,Potentiometer,IC Socket,Relay,Connector.Our parts cover such applications as commercial,industrial, and automotives areas.

We are looking forward to setting up business relationship with you and hope to provide you with the best service and solution. Let us make a better world for our industry!



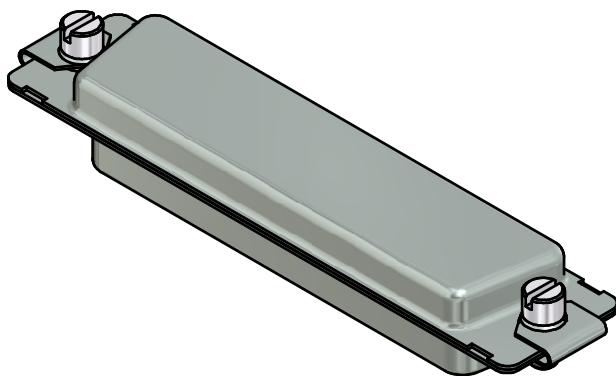
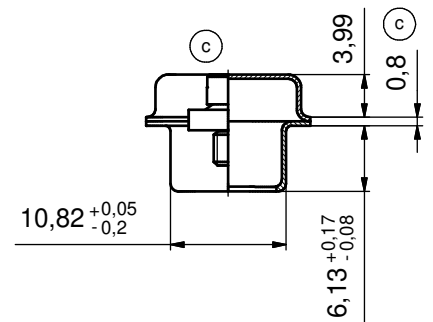
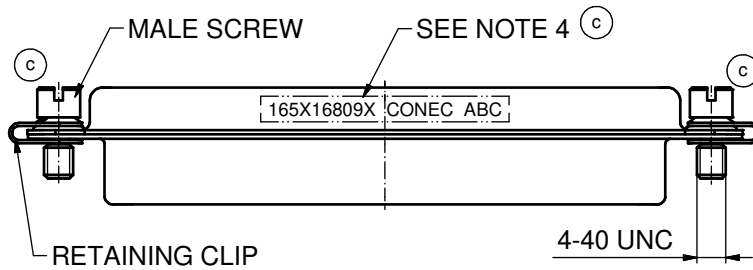
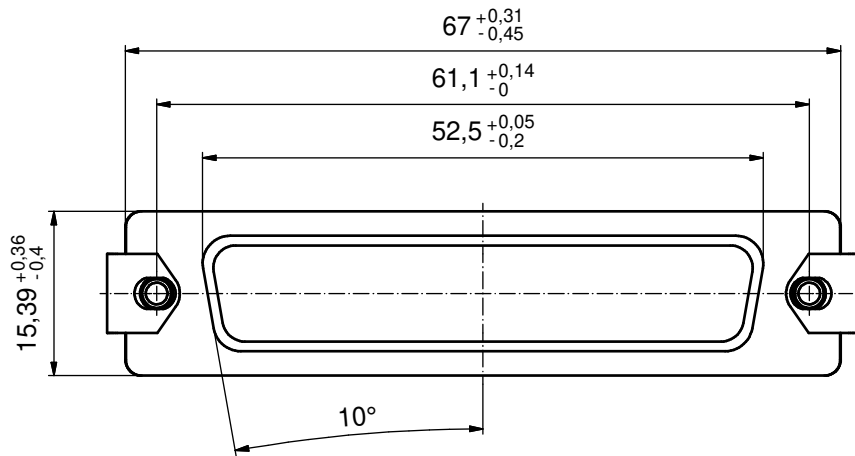
## Contact us

Tel: +86-755-8981 8866 Fax: +86-755-8427 6832

Email & Skype: info@chipsmall.com Web: www.chipsmall.com

Address: A1208, Overseas Decoration Building, #122 Zhenhua RD., Futian, Shenzhen, China





**NOTES:**

- 1. SCREEN CAP: STEEL; TIN PLATED
- 2. MALE SCREWS: BRASS; NICKEL PLATED
- 3. RETAINING CLIPS: STAINLESS STEEL
- 4. CONNECTOR IS PART MARKED: 165X16809X CONEC ABC

Directive 2002/95/EC RoHS compliant

THIS DRAWING MAY NOT BE COPIED OR REPRODUCED IN ANY WAY, AND MAY NOT BE PASSED ON TO A THIRD PARTY WITHOUT WRITTEN PERMISSION. OWNERSHIP AND COPYRIGHT OF CONEC GmbH  DO NOT ALTER CAD DRAWING BY HAND					tolerance		scale: 2:1
					date	name	material: SEE NOTES
					drawn	26.04.01 Parei	title: <b>COVERED SCREEN CAP</b> 50 pos. for plug connector
					appd.	26.04.01 Mickenbecker	
					norm		
	8 x c	Ä 4143	26.10.2011	Gitinow	d-old		dwg no:
2 x b	Ä 1872	29.10.2003	Lehmen			16K1A187A	sh: 1
a	Original					part no:	165X16809X
rev.	description	date	name	<b>CONEC</b> <sup>®</sup>			