



Chipsmall Limited consists of a professional team with an average of over 10 year of expertise in the distribution of electronic components. Based in Hongkong, we have already established firm and mutual-benefit business relationships with customers from,Europe,America and south Asia,supplying obsolete and hard-to-find components to meet their specific needs.

With the principle of “Quality Parts,Customers Priority,Honest Operation,and Considerate Service”,our business mainly focus on the distribution of electronic components. Line cards we deal with include Microchip,ALPS,ROHM,Xilinx,Pulse,ON,Everlight and Freescale. Main products comprise IC,Modules,Potentiometer,IC Socket,Relay,Connector.Our parts cover such applications as commercial,industrial, and automotives areas.

We are looking forward to setting up business relationship with you and hope to provide you with the best service and solution. Let us make a better world for our industry!



Contact us

Tel: +86-755-8981 8866 Fax: +86-755-8427 6832

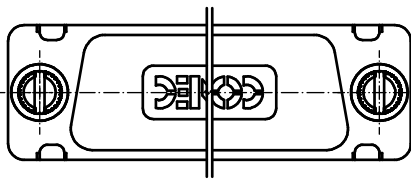
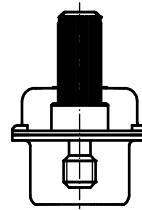
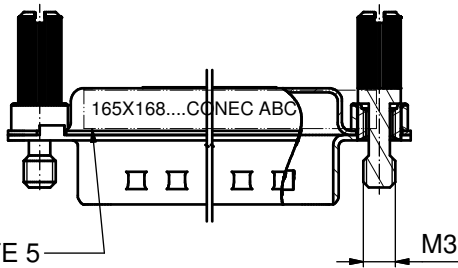
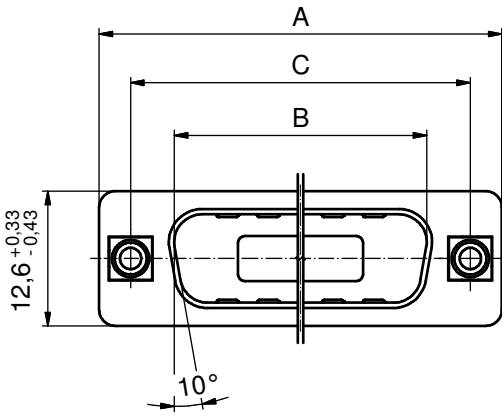
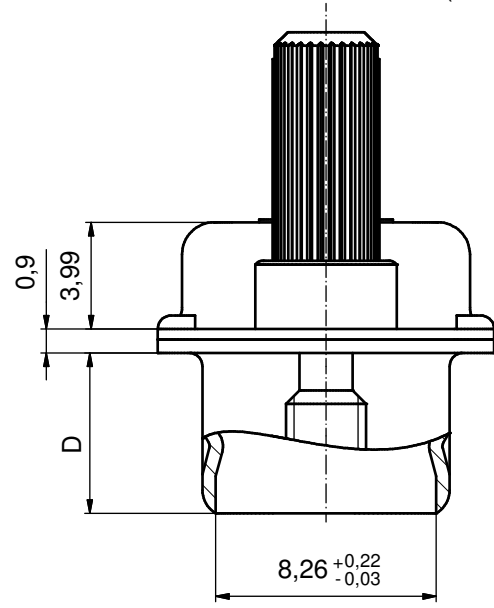
Email & Skype: info@chipsmall.com Web: www.chipsmall.com

Address: A1208, Overseas Decoration Building, #122 Zhenhua RD., Futian, Shenzhen, China



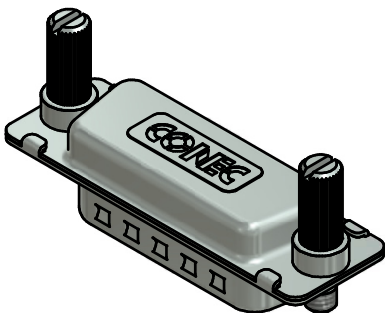
No. of pos.	A _{-0,76}	B _{+0,25}	C	D _{-0,3}	Part-No.
9	31,19	16,79	25,00 ^{+0,12} _{-0,13}	6,12	165X16859X
15	39,52	25,12	33,30 ^{+0,15} _{-0,1}	6,12	165X16869X
25	53,42	38,84	47,04 ± 0,13	5,99	165X16879X
37	69,70	55,30	63,50 ± 0,13	5,99	165X16889X
50	67,31	52,68	61,10 ^{+0,14} _{-0,11}	5,99	165X16899X

(5:1)



NOTES:

- METALSHELLS: STEEL; min. 315µin TIN over 40-80µin NICKEL
- THREADED INSERTS: COPPER ALLOY; min. 200µin TIN over 80µin NICKEL
- COLLARS: COPPER ALLOY; min. 200µin TIN over 80µin NICKEL
- JACK SCREWS: STEEL; NICKEL PLATED
- CONNECTOR IS PART MARKED: **PART NO. CONEC ABC**



Directive 2002/95/EC RoHS compliant

THIS DRAWING MAY NOT BE COPIED OR REPRODUCED IN ANY WAY, AND MAY NOT BE PASSED ON TO A THIRD PARTY WITHOUT WRITTEN PERMISSION. OWNERSHIP AND COPYRIGHT OF CONEC GmbH DO NOT ALTER CAD DRAWING BY HAND	tolerance		dim. in mm	scale: 2:1 (5:1)	
	date			material: SEE NOTES	
	drawn	02.01.12	name		title: SCREEN CAP 9-50pos. for socket connector with jack screw
	appd.	02.01.12	Fischer		
	norm				
d-old				dwg no:	
a	Original			16K1A3001	DIN-A3
rev.	description			date	name