



Chipsmall Limited consists of a professional team with an average of over 10 year of expertise in the distribution of electronic components. Based in Hongkong, we have already established firm and mutual-benefit business relationships with customers from,Europe,America and south Asia,supplying obsolete and hard-to-find components to meet their specific needs.

With the principle of “Quality Parts,Customers Priority,Honest Operation,and Considerate Service”,our business mainly focus on the distribution of electronic components. Line cards we deal with include Microchip,ALPS,ROHM,Xilinx,Pulse,ON,Everlight and Freescale. Main products comprise IC,Modules,Potentiometer,IC Socket,Relay,Connector.Our parts cover such applications as commercial,industrial, and automotives areas.

We are looking forward to setting up business relationship with you and hope to provide you with the best service and solution. Let us make a better world for our industry!



Contact us

Tel: +86-755-8981 8866 Fax: +86-755-8427 6832

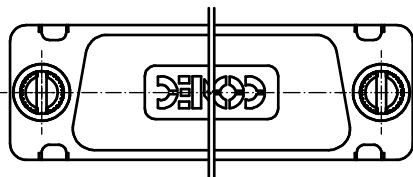
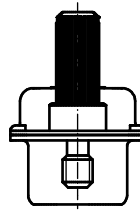
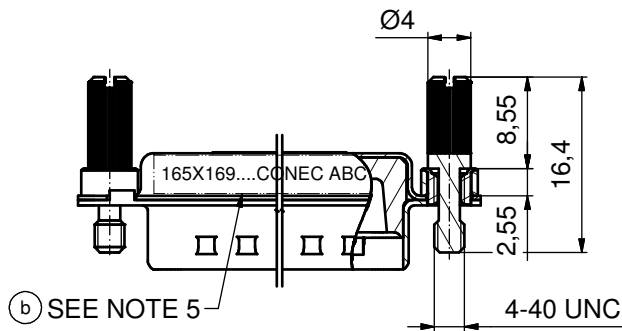
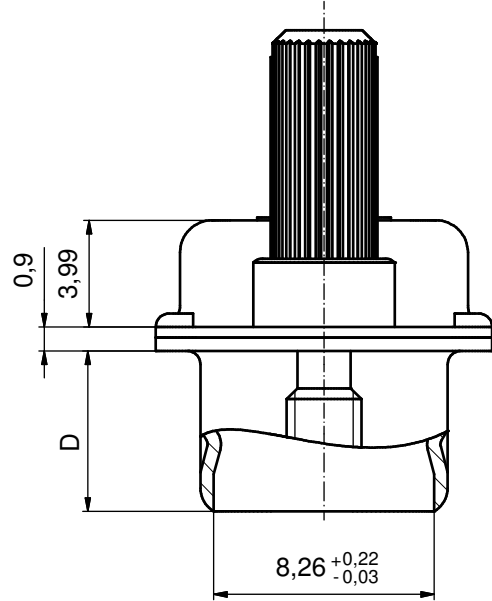
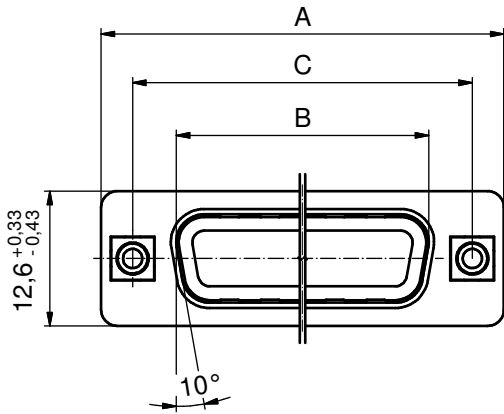
Email & Skype: info@chipsmall.com Web: www.chipsmall.com

Address: A1208, Overseas Decoration Building, #122 Zhenhua RD., Futian, Shenzhen, China



No. of pos.	A _{-0,76}	B _{+0,25}	C	D _{-0,3}	Part-No.
9	31,19	16,79	25,00 ^{+0,12} _{-0,13}	6,12	165X16909X
15	39,52	25,12	33,30 ^{+0,15} _{-0,1}	6,12	165X16919X
25	53,42	38,84	47,04 ± 0,13	5,99	165X16929X
37	69,70	55,30	63,50 ± 0,13	5,99	165X16939X

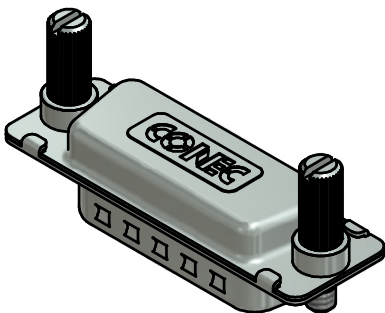
(5:1)



NOTES:

- METALSHELLS: COPPER ALLOY; min. 315µin TIN over 40-80µin NICKEL
- INSULATOR: TPE
- THREADED INSERTS: BRASS
- SCREW: STEEL; NICKEL PLATED

(b) 5. CONNECTOR IS PART MARKED: **PART NO. CONEC ABC**



Directive 2002/95/EC RoHS compliant

THIS DRAWING MAY NOT BE COPIED OR REPRODUCED IN ANY WAY, AND MAY NOT BE PASSED ON TO A THIRD PARTY WITHOUT WRITTEN PERMISSION. OWNERSHIP AND COPYRIGHT OF CONEC GmbH DO NOT ALTER CAD DRAWING BY HAND				tolerance		dim. in mm	scale: 2:1 (5:1)	
				date			material: SEE NOTES	
				drawn	05.10.05	Lehmenkühler		title: HOOD 9-37pos. (b) WATER RESISTANT AND SHIELDED; FOR EMI/RFI for socket connector, with jack screws
				appd.	05.10.05	Mickenbecker		
				norm				
				d-old				dwg no:
3 x b	Ä4840	30.07.2013	K.H.	CONEC ®		16K1A1514		DIN-A3
a	Original							sh: 1
rev.	description	date	name			part no: SEE TABLE		