



Chipsmall Limited consists of a professional team with an average of over 10 year of expertise in the distribution of electronic components. Based in Hongkong, we have already established firm and mutual-benefit business relationships with customers from,Europe,America and south Asia,supplying obsolete and hard-to-find components to meet their specific needs.

With the principle of “Quality Parts,Customers Priority,Honest Operation,and Considerate Service”,our business mainly focus on the distribution of electronic components. Line cards we deal with include Microchip,ALPS,ROHM,Xilinx,Pulse,ON,Everlight and Freescale. Main products comprise IC,Modules,Potentiometer,IC Socket,Relay,Connector.Our parts cover such applications as commercial,industrial, and automotives areas.

We are looking forward to setting up business relationship with you and hope to provide you with the best service and solution. Let us make a better world for our industry!



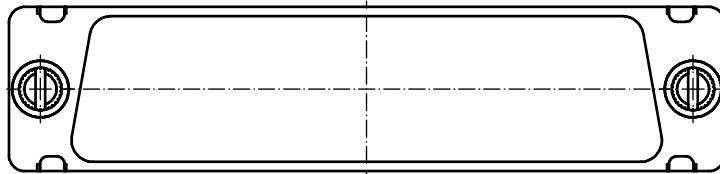
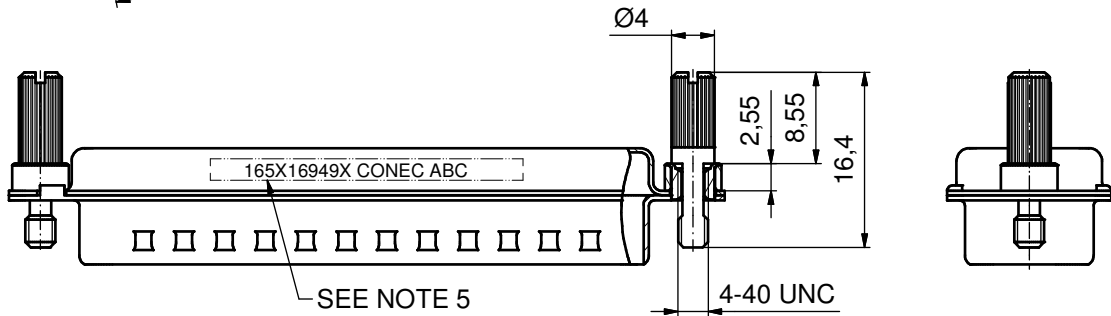
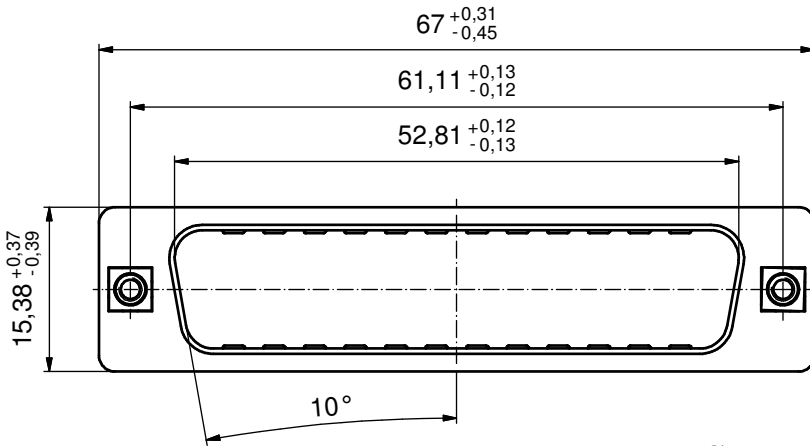
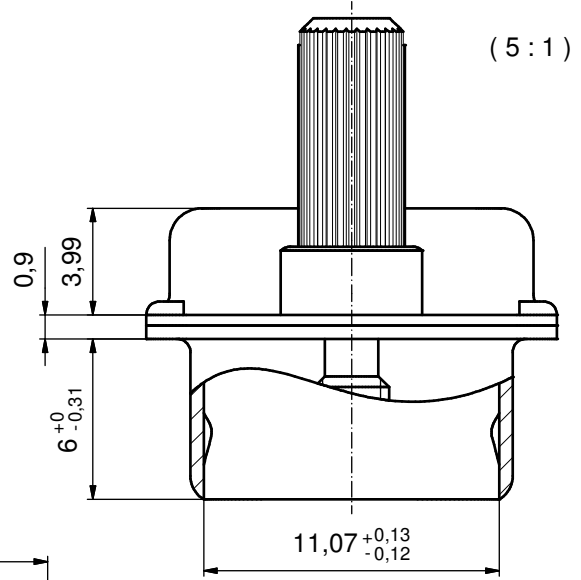
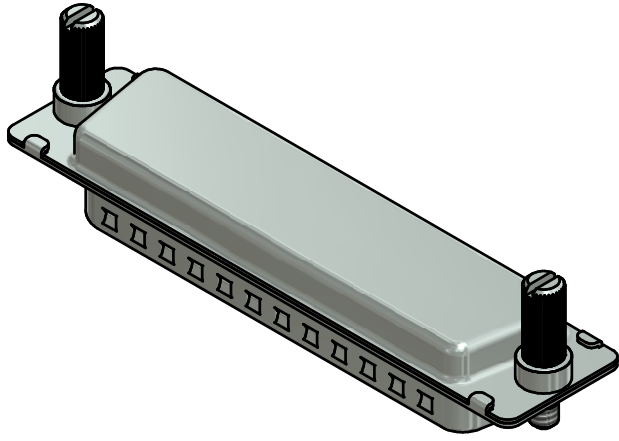
Contact us

Tel: +86-755-8981 8866 Fax: +86-755-8427 6832

Email & Skype: info@chipsmall.com Web: www.chipsmall.com

Address: A1208, Overseas Decoration Building, #122 Zhenhua RD., Futian, Shenzhen, China





NOTES:

1. METALSHELLS: STEEL; min. 315µin TIN over 40-80µin NICKEL
2. THREADED INSERTS: COPPER ALLOY; min. 200µin TIN over 80µin NICKEL
3. COLLARS: COPPER ALLOY; min. 200µin TIN over 80µin NICKEL
4. JACK SCREWS: STEEL; NICKEL PLATED
5. CONNECTOR IS PART MARKED: 165X16949X CONEC ABC

RoHS compliant

THIS DRAWING MAY NOT BE COPIED OR REPRODUCED IN ANY WAY, AND MAY NOT BE PASSED ON TO A THIRD PARTY WITHOUT WRITTEN PERMISSION. OWNERSHIP AND COPYRIGHT OF CONEC GmbH

DO NOT ALTER CAD DRAWING BY HAND

tolerance		ISO 2768-m		dim. in mm	
date	name	date	name	date	name
drawn	21.01.15	Henneboel	appd.	21.01.15	Lehmenkühler
norm			d-old		
rev.	a	Original			
description					



scale:		2:1 (5:1)	
material:		SEE NOTES	
title:			
SCREEN CAP 50pos. for socket connector with jack screw			
dwg no:		16K1A3574	
part no:		165X16949X	
		DIN-A3	
		sh: 1	