



Chipsmall Limited consists of a professional team with an average of over 10 year of expertise in the distribution of electronic components. Based in Hongkong, we have already established firm and mutual-benefit business relationships with customers from,Europe,America and south Asia,supplying obsolete and hard-to-find components to meet their specific needs.

With the principle of "Quality Parts,Customers Priority,Honest Operation,and Considerate Service",our business mainly focus on the distribution of electronic components. Line cards we deal with include Microchip,ALPS,ROHM,Xilinx,Pulse,ON,Everlight and Freescale. Main products comprise IC,Modules,Potentiometer,IC Socket,Relay,Connector.Our parts cover such applications as commercial,industrial, and automotives areas.

We are looking forward to setting up business relationship with you and hope to provide you with the best service and solution. Let us make a better world for our industry!



Contact us

Tel: +86-755-8981 8866 Fax: +86-755-8427 6832

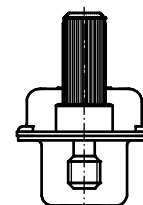
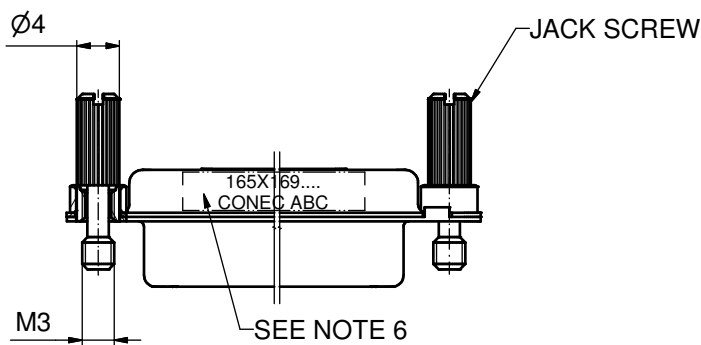
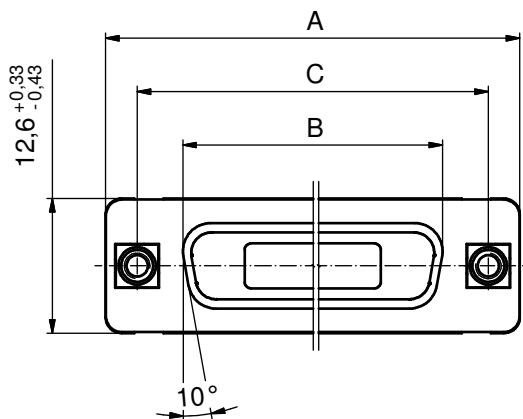
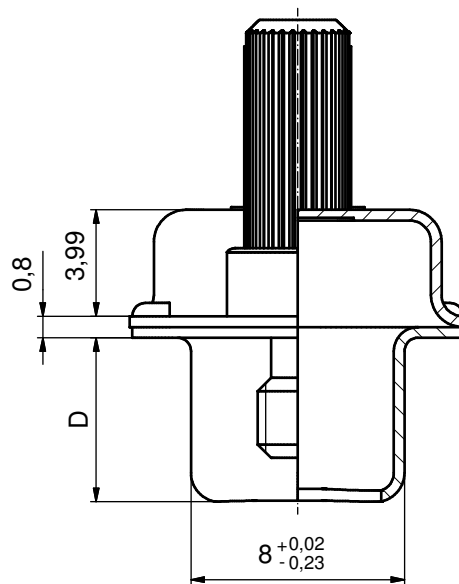
Email & Skype: info@chipsmall.com Web: www.chipsmall.com

Address: A1208, Overseas Decoration Building, #122 Zhenhua RD., Futian, Shenzhen, China



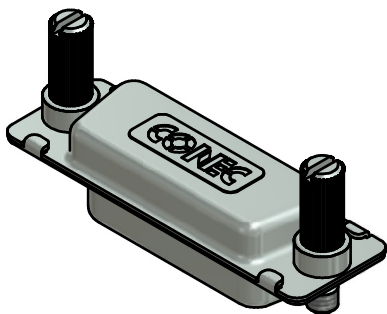
(b)

No. of pos.	A _{-0,76}	B _{+0,25}	C	D _{-0,3}	Part-No. Bulk package	Part-No. Single package
9	31,19	16,79	25,00 ^{+0,12} _{-0,13}	6,12	165X16959X	165X16959XE
15	39,52	25,12	33,30 ^{+0,15} _{-0,1}	6,12	165X16969X	165X16969XE
25	53,42	38,84	47,04 \pm 0,13	5,99	165X16979X	165X16979XE
37	69,70	55,30	63,50 \pm 0,13	5,99	165X16989X	165X16989XE
50	67,31	52,68	61,10 ^{+0,14} _{-0,11}	5,99	165X16999X	165X16999XE



NOTES:

1. METALSHHELLS: STEEL; min. 315µm TIN over 40-80µm NICKEL
2. THREADED INSERTS: COPPER ALLOY; min. 200µm TIN over 80µm NICKEL
3. COLLARS: COPPER ALLOY; min. 200µm TIN over 80µm NICKEL
4. JACKSCREWS: STEEL; NICKEL PLATED
5. MAXIMUM TORQUE VALUE FOR THREAD: 6in.LB
6. CONNECTOR IS PART MARKED: **PART-NO. CONEC ABC**



Directive 2002/95/EC RoHS compliant

THIS DRAWING MAY NOT BE COPIED OR REPRODUCED IN ANY WAY, AND MAY NOT BE PASSED ON TO A THIRD PARTY WITHOUT WRITTEN PERMISSION. OWNERSHIP AND COPYRIGHT OF CONEC GmbH DO NOT ALTER CAD DRAWING BY HAND				tolerance		scale: 2:1
				date	name	material: SEE NOTES
				drawn	11.05.10	Petker
				appd.	11.05.10	Fischer
				norm		
				d-old		
2 x b	Ä4160	15.11.2011	K.H.	title: (b) SCREEN CAP 9-50pos. FOR PLUG CONNECTOR with threaded insert and jackscrew		
a	Original					
dwg no: 16K1A2656			DIN-A3 sh: 1			
part no: SEE TABLE						

CONEC