



Chipsmall Limited consists of a professional team with an average of over 10 year of expertise in the distribution of electronic components. Based in Hongkong, we have already established firm and mutual-benefit business relationships with customers from,Europe,America and south Asia,supplying obsolete and hard-to-find components to meet their specific needs.

With the principle of “Quality Parts,Customers Priority,Honest Operation,and Considerate Service”,our business mainly focus on the distribution of electronic components. Line cards we deal with include Microchip,ALPS,ROHM,Xilinx,Pulse,ON,Everlight and Freescale. Main products comprise IC,Modules,Potentiometer,IC Socket,Relay,Connector.Our parts cover such applications as commercial,industrial, and automotives areas.

We are looking forward to setting up business relationship with you and hope to provide you with the best service and solution. Let us make a better world for our industry!



Contact us

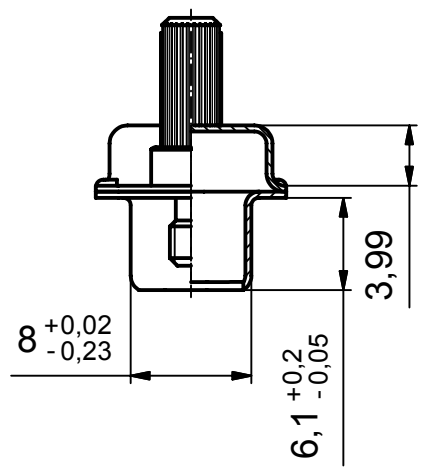
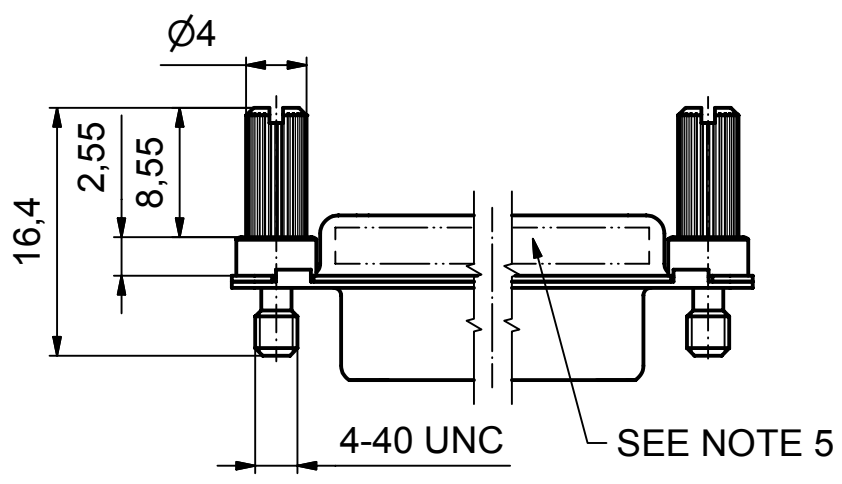
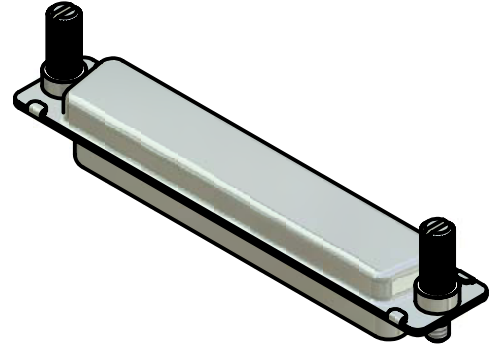
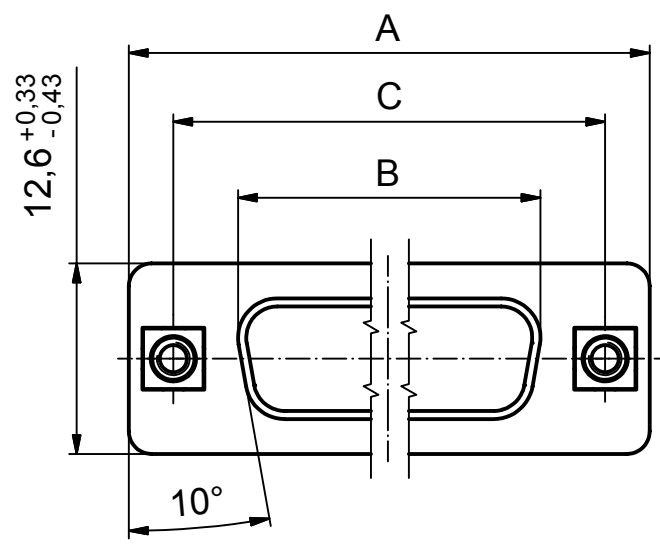
Tel: +86-755-8981 8866 Fax: +86-755-8427 6832

Email & Skype: info@chipsmall.com Web: www.chipsmall.com

Address: A1208, Overseas Decoration Building, #122 Zhenhua RD., Futian, Shenzhen, China



POS.	A -0.76	B -0.25	C	Part-No.
9	31,19	16.46	25,00 ^{+0,12} _{-0,10}	165X17009X
15	39,52	24.79	33,30 ^{+0,15}	165X17019X
25	53,42	38.50	47,04 ^{±0,13}	165X17029X
37	69,70	54.96	63,50 ^{+0,13} _{-0,11}	165X17039X



NOTES:

1. METALSHELLS: STEEL; min. 315µin TIN over 40-80µin NICKEL
2. THREADED INSERT: COPPER ALLOY; min. 200µin TIN over 80µin NICKEL
3. COLLAR: COPPER ALLOY; min. 200µin TIN over 80µin NICKEL
4. JACK SCREW: STEEL; NICKEL PLATED
5. COVERED SCREE CAP IS PART MARKED: PART-NO. CONEC ABC



THIS DRAWING MAY NOT BE COPIED OR REPRODUCED IN ANY WAY, AND MAY NOT BE PASSED ON TO A THIRD PARTY WITHOUT WRITTEN PERMISSION. OWNERSHIP AND COPYRIGHT OF CONEC GmbH

DO NOT ALTER CAD DRAWING BY HAND				finish:		tolerance		 dim. in mm
				SEE NOTES				
				date	name		COVERED SCREE CAP 9-37pos. FOR PLUG CONNECTOR with jack screw	
				drawn	21.07.06	Lehmenkühler		
				appd.	21.07.06	Kühle		
				norm				
				d-old			dwg no: Inventor 10	
a	Origin					16K1A1853		DIN-A4
rev.	description	date	name			part no:	SEE TABLE	

