



Chipsmall Limited consists of a professional team with an average of over 10 year of expertise in the distribution of electronic components. Based in Hongkong, we have already established firm and mutual-benefit business relationships with customers from,Europe,America and south Asia,supplying obsolete and hard-to-find components to meet their specific needs.

With the principle of “Quality Parts,Customers Priority,Honest Operation,and Considerate Service”,our business mainly focus on the distribution of electronic components. Line cards we deal with include Microchip,ALPS,ROHM,Xilinx,Pulse,ON,Everlight and Freescale. Main products comprise IC,Modules,Potentiometer,IC Socket,Relay,Connector.Our parts cover such applications as commercial,industrial, and automotives areas.

We are looking forward to setting up business relationship with you and hope to provide you with the best service and solution. Let us make a better world for our industry!



## Contact us

Tel: +86-755-8981 8866 Fax: +86-755-8427 6832

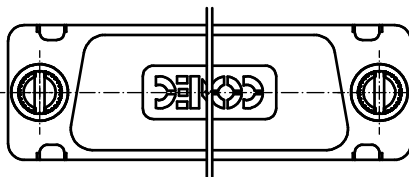
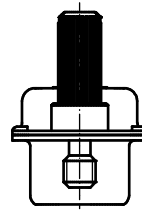
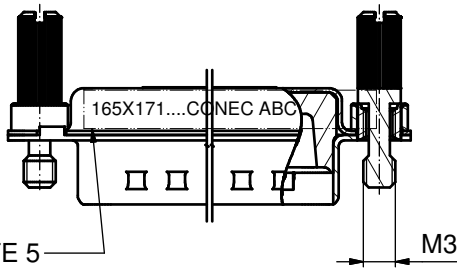
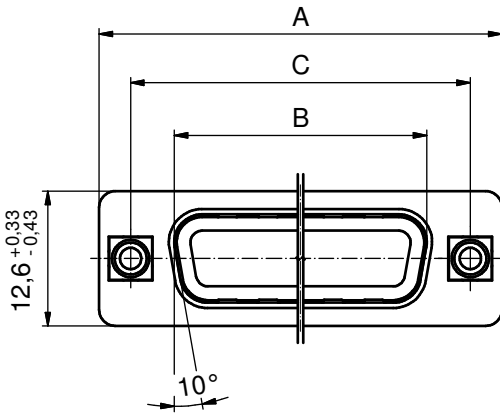
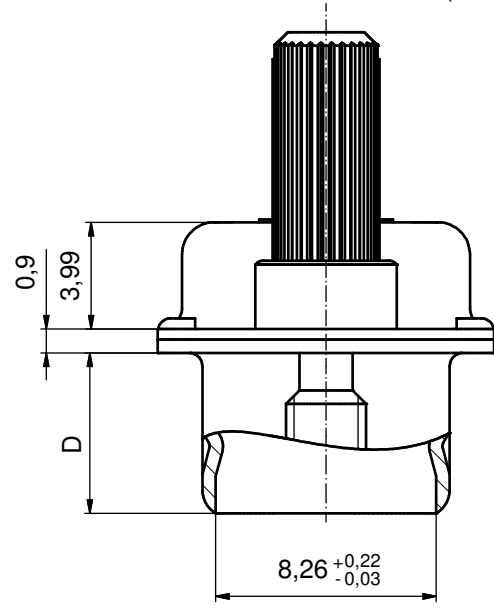
Email & Skype: info@chipsmall.com Web: www.chipsmall.com

Address: A1208, Overseas Decoration Building, #122 Zhenhua RD., Futian, Shenzhen, China



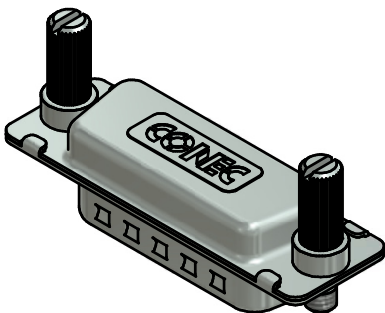
No. of pos.	A <sub>-0,76</sub>	B <sub>+0,25</sub>	C	D <sub>-0,3</sub>	Part-No. Bulk package	Part-No. Single package
9	31,19	16,79	25,00 <sup>+0,12</sup> <sub>-0,13</sub>	6,12	165X17159X	165X17159XE
15	39,52	25,12	33,30 <sup>+0,15</sup> <sub>-0,1</sub>	6,12	165X17169X	165X17169XE
25	53,42	38,84	47,04 $\pm$ 0,13	5,99	165X17179X	165X17179XE
37	69,70	55,30	63,50 $\pm$ 0,13	5,99	165X17189X	165X17189XE
50	67,31	52,68	61,10 <sup>+0,14</sup> <sub>-0,11</sub>	5,99	165X17199X	165X17199XE

(5:1)



NOTES:

1. METALSHELLS: COPPER ALLOY; min. 315µm TIN over 40-80µm NICKEL
2. INSULATOR: TPE
3. THREADED INSERTS: BRASS
4. SCREW: STEEL; NICKEL PLATED
5. CONNECTOR IS PART MARKED: **PART NO. CONEC ABC**



Directive 2002/95/EC RoHS compliant

THIS DRAWING MAY NOT BE COPIED OR REPRODUCED IN ANY WAY, AND MAY NOT BE PASSED ON TO A THIRD PARTY WITHOUT WRITTEN PERMISSION. OWNERSHIP AND COPYRIGHT OF CONEC GmbH DO NOT ALTER CAD DRAWING BY HAND	tolerance		dim. in mm	scale: 2:1 (5:1)	
	date			material: SEE NOTES	
	name		title: HOOD 9-50pos.		
	drawn 29.06.11 Henneboel		WATER RESISTANT AND SHIELDED; FOR EMI/RFI for socket connector, with jack screws		
	appd. 01.07.11 Fischer		dwg no: 16K1A2839		
norm		DIN-A3			
d-old		sh: 1			
a Original				part no: SEE TABLE	
rev.	description			date	name