



Chipsmall Limited consists of a professional team with an average of over 10 year of expertise in the distribution of electronic components. Based in Hongkong, we have already established firm and mutual-benefit business relationships with customers from,Europe,America and south Asia,supplying obsolete and hard-to-find components to meet their specific needs.

With the principle of “Quality Parts,Customers Priority,Honest Operation,and Considerate Service”,our business mainly focus on the distribution of electronic components. Line cards we deal with include Microchip,ALPS,ROHM,Xilinx,Pulse,ON,Everlight and Freescale. Main products comprise IC,Modules,Potentiometer,IC Socket,Relay,Connector.Our parts cover such applications as commercial,industrial, and automotives areas.

We are looking forward to setting up business relationship with you and hope to provide you with the best service and solution. Let us make a better world for our industry!



Contact us

Tel: +86-755-8981 8866 Fax: +86-755-8427 6832

Email & Skype: info@chipsmall.com Web: www.chipsmall.com

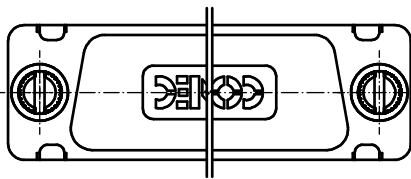
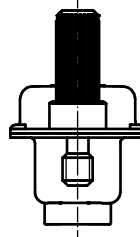
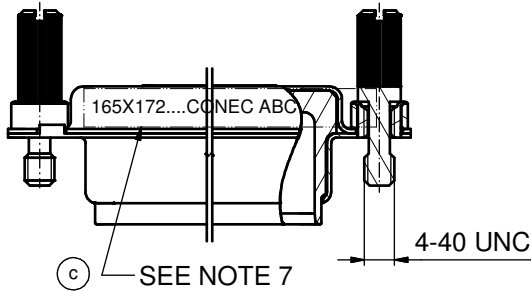
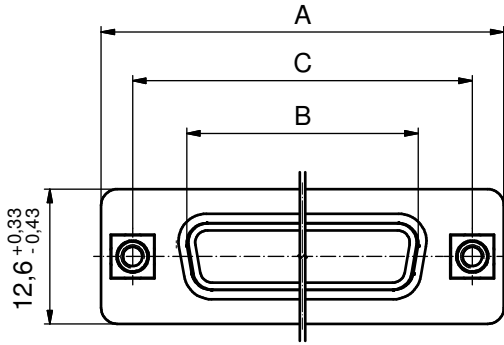
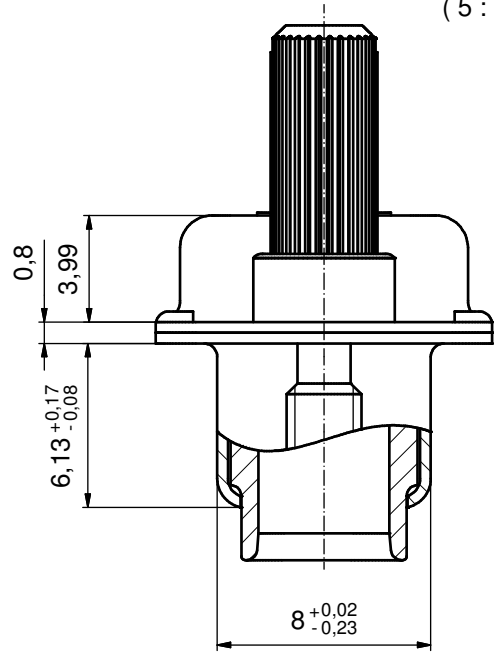
Address: A1208, Overseas Decoration Building, #122 Zhenhua RD., Futian, Shenzhen, China



No. of pos.	A _{-0,76}	B _{+0,25}	C	Part-No.
9	31,19	16,46	25,00 ^{+0,12} _{-0,13}	165X17209X
15	39,52	24,79	33,30 ^{+0,15} _{-0,1}	165X17219X
25	53,42	38,50	47,04 ± 0,13	165X17229X
37	69,70	54,96	63,50 ± 0,13	165X17239X

(b) (c)

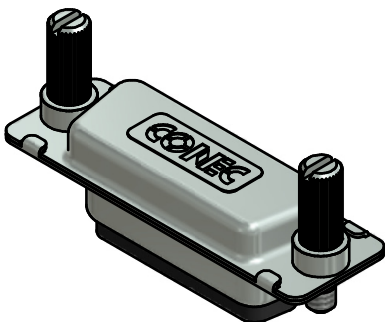
(5:1)



NOTES:

1. METALSHIELDS: COPPER ALLOY; min. 315µin TIN over 40-80µin NICKEL
2. SEALING ELEMENT: TPE
3. THREADED INSERTS: COPPER ALLOY; min. 200µin TIN over 80µin NICKEL
4. JACK SCREWS: STEEL; NICKEL PLATED
5. COLLARS: COPPER ALLOY; min. 200µin TIN over 80µin NICKEL
6. MAXIMUM TORQUE VALUE FOR THREAD: 6 in.LB

(c) 7. CONNECTOR IS PART MARKED: PART NO. CONEC ABC



Directive 2002/95/EC RoHS compliant

THIS DRAWING MAY NOT BE COPIED OR REPRODUCED IN ANY WAY, AND MAY NOT BE PASSED ON TO A THIRD PARTY WITHOUT WRITTEN PERMISSION. OWNERSHIP AND COPYRIGHT OF CONEC GmbH DO NOT ALTER CAD DRAWING BY HAND	tolerance		dim. in mm		scale:	2:1 (5:1)
	date		name		material:	SEE NOTES
	drawn	10.11.05	Lehmenkühler		title:	
	appd.	10.11.05	Mickenbecker		HOOD 9-37pos.	
	norm	DIN 41652		WATER RESISTANT AND SHIELDED; FOR EMI/RFI for plug connector, with jack screws		
3 x c	Ä4774	31.07.2013	K.H.	d-old	dwg no:	DIN-A3
1 x b	Ä3781	21.10.2010	K.H.		16K1A1548	sh: 1
a	Original				part no:	SEE TABLE
rev.	description	date	name	CONEC		