



Chipsmall Limited consists of a professional team with an average of over 10 year of expertise in the distribution of electronic components. Based in Hongkong, we have already established firm and mutual-benefit business relationships with customers from,Europe,America and south Asia,supplying obsolete and hard-to-find components to meet their specific needs.

With the principle of "Quality Parts,Customers Priority,Honest Operation,and Considerate Service",our business mainly focus on the distribution of electronic components. Line cards we deal with include Microchip,ALPS,ROHM,Xilinx,Pulse,ON,Everlight and Freescale. Main products comprise IC,Modules,Potentiometer,IC Socket,Relay,Connector.Our parts cover such applications as commercial,industrial, and automotives areas.

We are looking forward to setting up business relationship with you and hope to provide you with the best service and solution. Let us make a better world for our industry!



## Contact us

Tel: +86-755-8981 8866 Fax: +86-755-8427 6832

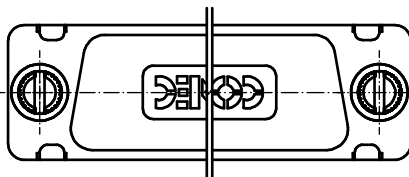
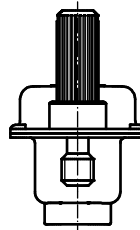
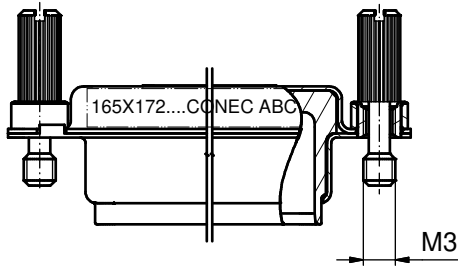
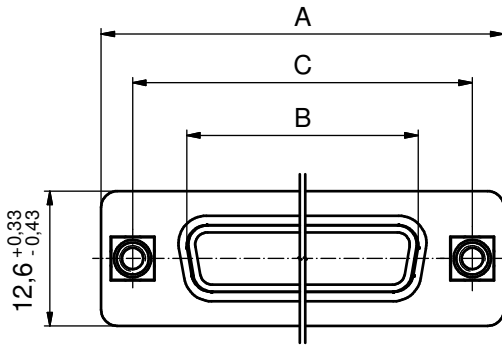
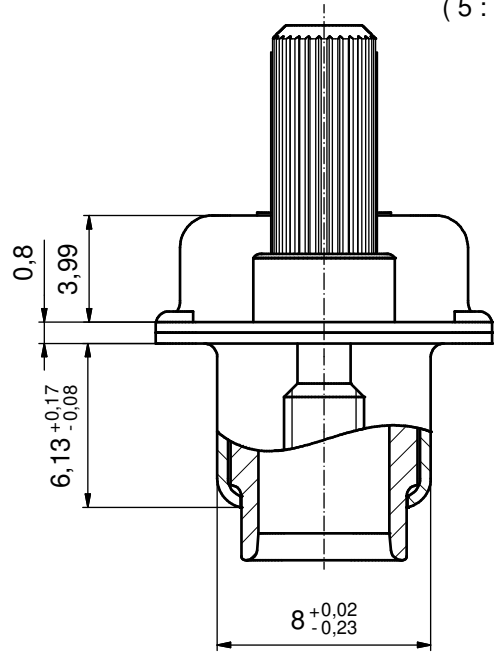
Email & Skype: info@chipsmall.com Web: www.chipsmall.com

Address: A1208, Overseas Decoration Building, #122 Zhenhua RD., Futian, Shenzhen, China



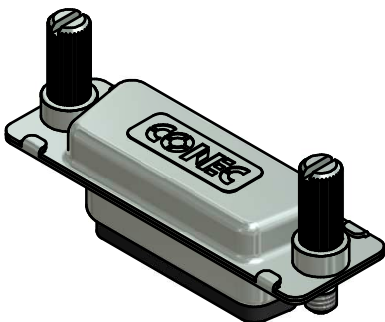
No. of pos.	A <sub>-0,76</sub>	B <sub>+0,25</sub>	C	Part-No. Bulk package	Part-No. Single package
9	31,19	16,46	25,00 <sup>+0,12</sup> <sub>-0,13</sub>	165X17259X	165X17259XE
15	39,52	24,79	33,30 <sup>+0,15</sup> <sub>-0,1</sub>	165X17269X	165X17269XE
25	53,42	38,50	47,04 <sub>±0,13</sub>	165X17279X	165X17279XE
37	69,70	54,96	63,50 <sub>±0,13</sub>	165X17289X	165X17289XE
50	67,31	52,55	61,10 <sup>+0,14</sup> <sub>-0,11</sub>	165X17299X	165X17299XE

(5:1)



NOTES:

- METALSHELLS: COPPER ALLOY; min. 315µin TIN over 40-80µin NICKEL
- INSULATOR: TPE
- THREADED INSERTS: BRASS
- SCREWS: STEEL; NICKEL PLATED
- CONNECTOR IS PART MARKED: [PART NO. CONEC ABC]



Directive 2002/95/EC RoHS compliant

THIS DRAWING MAY NOT BE COPIED OR REPRODUCED IN ANY WAY, AND MAY NOT BE PASSED ON TO A THIRD PARTY WITHOUT WRITTEN PERMISSION. OWNERSHIP AND COPYRIGHT OF CONEC GmbH DO NOT ALTER CAD DRAWING BY HAND	tolerance			dim. in mm	scale: 2:1 (5:1)
	material: SEE NOTES				
	date	name		title: HOOD 9-50pos.	
	drawn 29.06.11	Henneboel		WATER RESISTANT AND SHIELDED; FOR EMI/RFI for plug connector, with jack screws	
	appd. 29.06.11	Fischer		dwg no: 16K1A2841	
	norm DIN 41652	d-old		DIN-A3 sh: 1	
rev. a	Original			part no: SEE TABLE	
rev.	description	date	name		