



Chipsmall Limited consists of a professional team with an average of over 10 year of expertise in the distribution of electronic components. Based in Hongkong, we have already established firm and mutual-benefit business relationships with customers from,Europe,America and south Asia,supplying obsolete and hard-to-find components to meet their specific needs.

With the principle of “Quality Parts,Customers Priority,Honest Operation,and Considerate Service”,our business mainly focus on the distribution of electronic components. Line cards we deal with include Microchip,ALPS,ROHM,Xilinx,Pulse,ON,Everlight and Freescale. Main products comprise IC,Modules,Potentiometer,IC Socket,Relay,Connector.Our parts cover such applications as commercial,industrial, and automotives areas.

We are looking forward to setting up business relationship with you and hope to provide you with the best service and solution. Let us make a better world for our industry!



Contact us

Tel: +86-755-8981 8866 Fax: +86-755-8427 6832

Email & Skype: info@chipsmall.com Web: www.chipsmall.com

Address: A1208, Overseas Decoration Building, #122 Zhenhua RD., Futian, Shenzhen, China

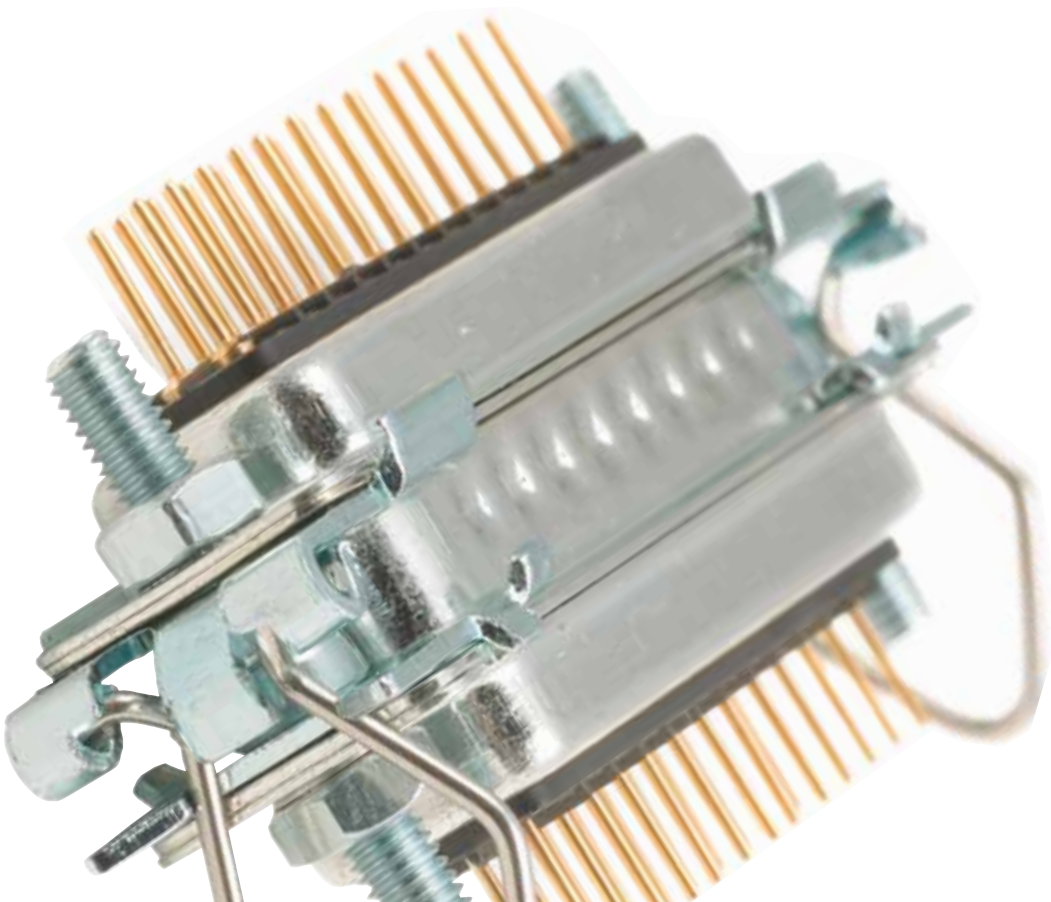


SECTION 10

D-SUB HOODS AND ACCESSORIES

The diversity of different applications and market requirements makes it necessary to offer a comprehensive line of hoods and backshells. The CONEC product line includes shielded hoods made of metal, plastic, Metallized plastic and plastic with metal inserts.

Connectors with high current or coaxial contacts require special hoods with adapted interiors. In these cases the height of the housing is particularly important to assure faultless seating of the contacts. The cable should exit from the hood or backshell without introducing any strain on the contacts.





A special developed hood with an IP67 rating is available to provide optimal water resistance for D-SUB Connectors.

The input/output connector product line is supplemented by a wide array of accessories.

The various caps, hardware and latches are available for use with these D-subminiature connectors, whether standard, high density, combination or filter designs are selected.

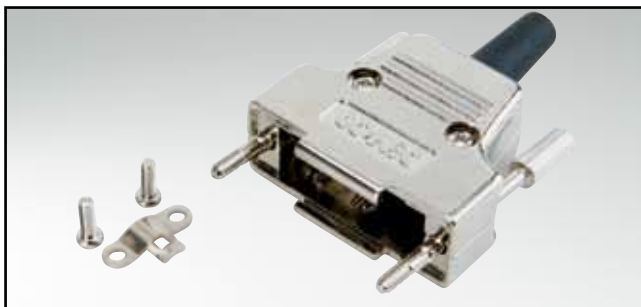
Various materials and designs in plastic, steel or stainless steel, as well as M3 or 4-40 UNC thread designs, are deliverable as standard or on request.

For special application please contact the factory.



D-SUB METAL HOOD

Straight cable entry – 9-50 pos.

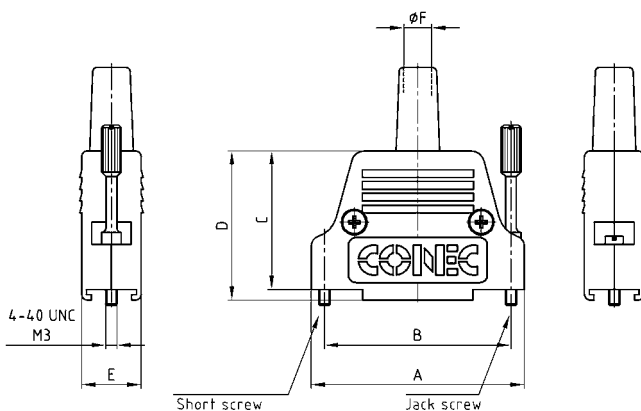


RoHS compliant – CSA listed, File No.: LR 115000-1 – UL listed, File No.: E202784

DESCRIPTION

- Zinc die-cast hood, EMI/RFI shielding
- Cable sleeve
- Fastening:
 - short screws 4-40 UNC or M3 thread
 - jack screws 4-40 UNC or M3 thread
- Housing nickel plated
- Bulk or single packaged units

PRODUCT DRAWING



No. of pos.	A	B	C	D	E	Ø F
09	31.70	25.00	30.00	32.70	15.00	5.00
15	40.00	33.30	32.00	34.70	15.00	5.00
25	53.70	47.00	35.00	37.70	15.00	7.00
37	70.20	63.50	41.00	43.70	15.00	7.00
50	67.80	61.10	41.00	43.70	17.70	9.30

ORDER DATA

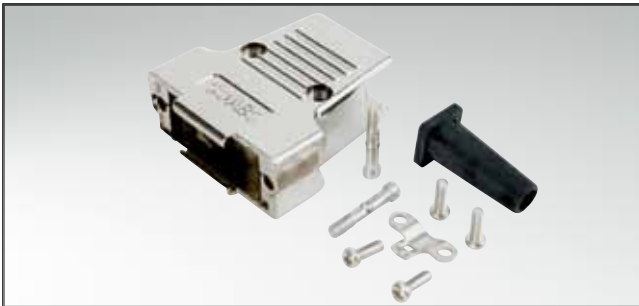
D-SUB METAL HOOD – SHORT SCREW		
No. of pos.	Design	Part Number
09	4-40 UNC Short screw	165 X 17409 X
15	4-40 UNC Short screw	165 X 17419 X
25	4-40 UNC Short screw	165 X 17429 X
37	4-40 UNC Short screw	165 X 17439 X
50	4-40 UNC Short screw	165 X 17449 X
09	M3 Short screw	165 X 17459 X
15	M3 Short screw	165 X 17469 X
25	M3 Short screw	165 X 17479 X
37	M3 Short screw	165 X 17489 X
50	M3 Short screw	165 X 17499 X

D-SUB METAL HOOD – JACK SCREW		
No. of pos.	Design	Part Number
09	4-40 UNC Jack screw	165 X 17309 X
15	4-40 UNC Jack screw	165 X 17319 X
25	4-40 UNC Jack screw	165 X 17329 X
37	4-40 UNC Jack screw	165 X 17339 X
50	4-40 UNC Jack screw	165 X 17349 X
09	M3 Jack screw	165 X 17359 X
15	M3 Jack screw	165 X 17369 X
25	M3 Jack screw	165 X 17379 X
37	M3 Jack screw	165 X 17389 X
50	M3 Jack screw	165 X 17399 X

For single packaged add the letter „E“ at the end of the part number.

D-SUB METAL HOOD

Side cable entry – 9-50 pos.

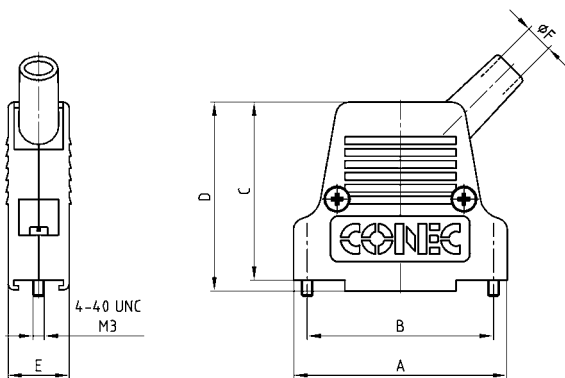


RoHS compliant – CSA listed, File No.: LR 115000-1 – UL listed, File No.: E202784

DESCRIPTION

- Zinc die-cast hood, EMI/RFI shielding
- Cable sleeve
- Fastening:
 - short screws 4-40 UNC or M3 thread
- Housing nickel plated
- Bulk or single packaged units

PRODUCT DRAWING



No. of pos.	A	B	C	D	E	Ø F
09	31.80	25.00	39.50	42.40	15.40	5.00
15	40.30	33.30	41.00	43.50	15.40	5.00
25	54.00	47.00	45.00	47.70	15.40	7.00
37	70.20	63.50	48.00	50.40	15.40	7.00
50	67.80	61.10	48.00	50.40	18.50	9.30

ORDER DATA

D-SUB METAL HOOD – SHORT SCREW		
No. of pos.	Design 4-40 UNC	Part Number
09	Short screw	165 X 17559 X
15	Short screw	165 X 17569 X
25	Short screw	165 X 17579 X
37	Short screw	165 X 17589 X
50	Short screw	165 X 17599 X

D-SUB METAL HOOD – SHORT SCREW		
No. of pos.	Design M3	Part Number
09	Short screw	165 X 17609 X
15	Short screw	165 X 17619 X
25	Short screw	165 X 17629 X
37	Short screw	165 X 17639 X
50	Short screw	165 X 17649 X

For single packaged add the letter „E“ at the end of the part number.

D-SUB METAL HOOD

Variable cable entries – 9-50 pos. – Without jack screws



RoHS compliant – CSA listed, File No.: LR 115000-1 – UL listed, File No.: E202784

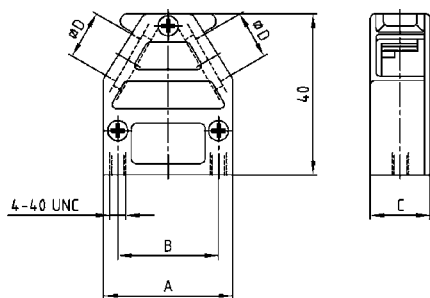
DESCRIPTION

- Zinc die-cast hood, EMI/RFI shielding
- Two designs:
 - Type 1: 1.575"/40 mm height
 - Type 2: 2.165"/55 mm height
- Delivery includes: Hood with covers, blanking plugs, screws for assembly
- Cable clamp must be ordered separately
- Crimp fitting and crimp tool please contact factory
- Bulk or single packaged units

PRODUCT DRAWING

Type 1: Installation height 1.575" / 40 mm

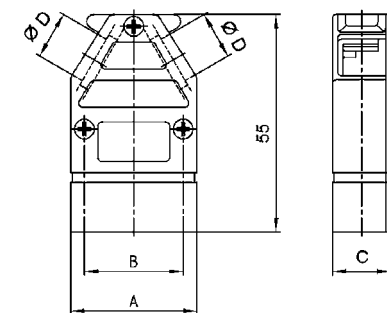
9 pos.



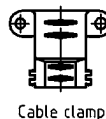
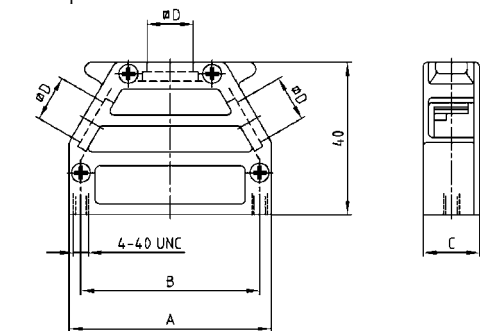
No. of pos.	A	B	C	Ø D
09	32.00	25.00	14.80	12.10
15	39.30	33.30	14.80	12.10
25	53.20	47.04	14.80	12.10
37	69.50	63.50	14.80	12.10
50	67.00	61.10	17.80	14.60

Type 2: Installation height 2.165" / 55 mm

9 pos.

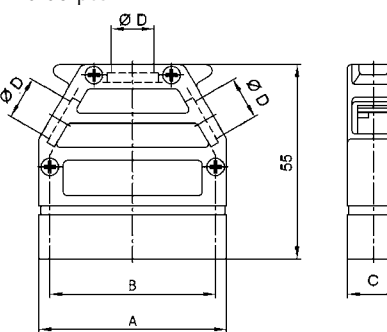


15-50 pos.



Cable clamp

15-50 pos.



ORDER DATA

D-SUB METAL HOOD – VARIABLE CABLE ENTRIES – TYPE 1		
No. of pos.	Design	Part Number
09	Housing / Two side cable entries	165 X 10819 X
15	Housing / Two side cable entries	165 X 10829 X
25	Housing / Three cable entries	165 X 10839 X
37	Housing / Three cable entries	165 X 10849 X
50	Housing / Three cable entries	165 X 10859 X
09-37	Cable clamp	160 X 11189 X
50	Cable clamp	160 X 11199 X

D-SUB METAL HOOD – VARIABLE CABLE ENTRIES – TYPE 2		
No. of pos.	Design	Part Number
09	Housing / Two side cable entries	165 X 11159 X
15	Housing / Two side cable entries	165 X 10869 X
25	Housing / Three cable entries	165 X 10879 X
37	Housing / Three cable entries	165 X 10889 X
50	Housing / Three cable entries	165 X 10899 X
09-37	Cable clamp	160 X 11189 X
50	Cable clamp	160 X 11199 X

For single packaged add the letter „E“ at the end of the part number.

D-SUB METAL HOOD

Variable cable entries – 9-50 pos. – Jack screws



RoHS compliant – CSA listed, File No.: LR 115000-1 – UL listed, File No.: E202784

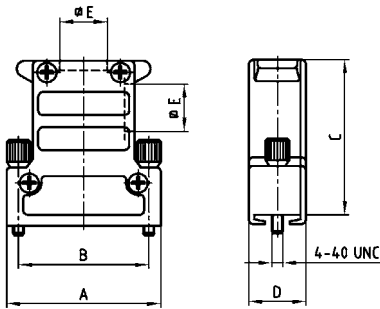
DESCRIPTION

- Zinc die-cast hood, EMI/RFI shielding
- Two designs:
 - Type 1: 1.575" / 40 mm height
 - Type 2: 2.165" / 55 mm height
- Delivery includes: Hood, blanking plugs, screws for assembly grounding screws, 4-40 UNC jack screws
- Cable clamp must be ordered separately
- Crimp fitting and crimp tool please contact factory
- Bulk or single packaged units
- M3 thread design for jack screws available on request

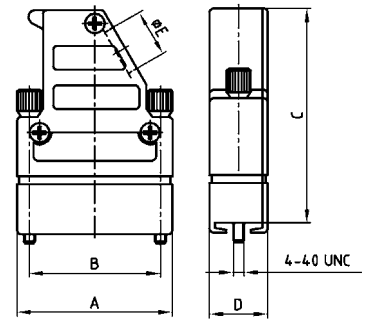
PRODUCT DRAWING

Type 1: max. installation height 42 mm
9-15 pos.

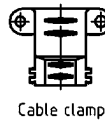
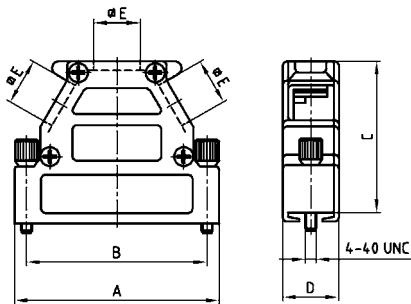
No. of pos.	A	B	Dim. C (Type 1)	Dim. C (Type 2)	D	Ø E
09	31.00	25.00	35.50	50.50	14.80	12.10
15	39.40	33.30	40.00	55.00	14.80	12.10
25	53.20	47.04	40.00	55.00	14.80	12.10
37	69.60	63.50	40.00	55.00	14.80	12.10
50	67.00	61.10	42.00	57.00	17.80	14.60



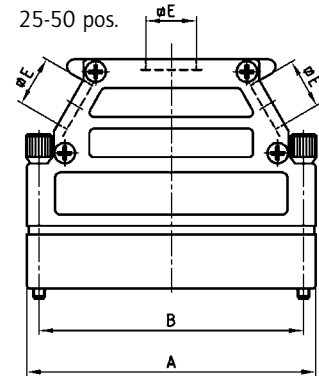
Type 2: max. installation height 57 mm
9-15 pos.



25-50 pos.



25-50 pos.



ORDER DATA

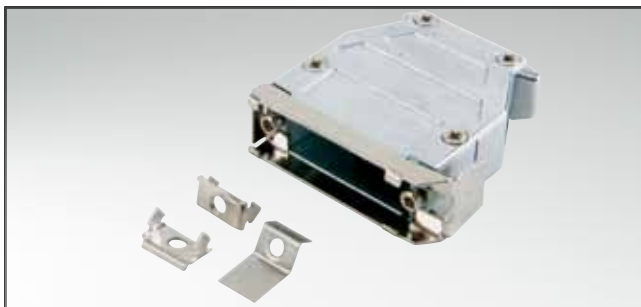
D-SUB METAL HOOD – VARIABLE CABLE ENTRIES – JACK SCREW – TYPE 1		
No. of pos.	Design	Part Number
09	Housing / One straight cable entry	165 X 11609 X
15	Housing / One straight / One side cable entry	165 X 11619 X
25	Housing / Three cable entries	165 X 11629 X
37	Housing / Three cable entries	165 X 11639 X
50	Housing / Three cable entries	165 X 11649 X
09-37	Cable clamp	160 X 11189 X
50	Cable clamp	160 X 11199 X

D-SUB METAL HOOD – VARIABLE CABLE ENTRIES – JACK SCREW – TYPE 2		
No. of pos.	Design	Part Number
09	Housing / One side cable entry	165 X 14409 X
15	Housing / One side cable entry	165 X 14419 X
25	Housing / Three cable entries	165 X 14429 X
37	Housing / Three cable entries	165 X 14439 X
50	Housing / Three cable entries	165 X 14449 X
09-37	Cable clamp	160 X 11189 X
50	Cable clamp	160 X 11199 X

For single packaged add the letter „E“ at the end of the part number.

D-SUB METAL HOOD

Variable cable entries – 9-50 pos. – Slide lock



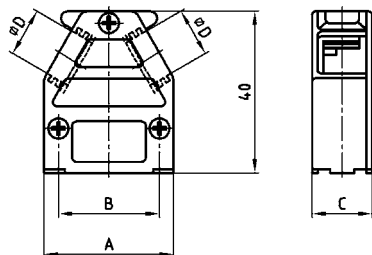
RoHS compliant – CSA listed, File No.: LR 115000-1 – UL listed, File No.: E202784

DESCRIPTION

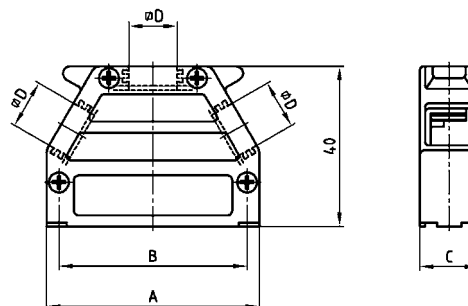
- Zinc die-cast hood, EMI/RFI shielding
- Design:
 - 9 pos. = two sided cable entries,
 - 15-50 pos. = three cable entries
- Delivery includes: Hood, blanking plugs, screws for assembly, grounding screw, slide lock, spring
- Cable clamp must be ordered separately
- Crimp fitting and crimp tool please contact factory
- Bulk or single packaged units

PRODUCT DRAWING

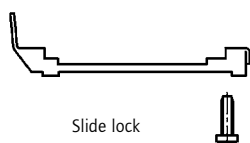
9 pos.



15-50 pos.



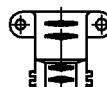
Spring



Slide lock



Locking hooks for slide lock



Cable clamp

No. of pos.	A	B	C	Ø D
09	32.00	25.00	14.80	12.10
15	39.30	33.30	14.80	12.10
25	53.20	47.04	14.80	12.10
37	69.50	63.50	14.80	12.10
50	67.00	61.10	17.80	14.60

ORDER DATA

D-SUB METAL HOOD – VARIABLE CABLE ENTRIES		
No. of pos.	Design	Part Number
09	Housing /Two side cable entries	165 X 11659 X
15	Housing /Three cable entries	165 X 11669 X
25	Housing /Three cable entries	165 X 11679 X
37	Housing /Three cable entries	165 X 11689 X
50	Housing /Three cable entries	165 X 11699 X

D-SUB METAL HOOD – CABLE CLAMP – SLIDE LOCK		
No. of pos.	Design	Part Number
09-37	Cable clamp	160 X 11189 X
50	Cable clamp	160 X 11199 X
09-37	Locking hooks for slide lock	165 X 10119 X
50	Locking hooks for slide lock	165 X 10129 X

For single packaged add the letter „E“ at the end of the part number.

D-SUB METAL HOOD

Variable cable entries – 9-50 pos. – Without jack screws



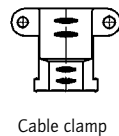
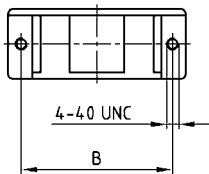
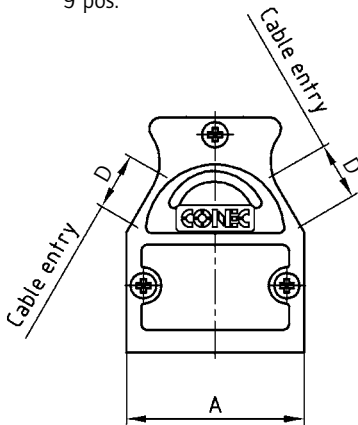
RoHS compliant – CSA listed, File No.: LR 115000-1 – UL listed, File No.: E202784

DESCRIPTION

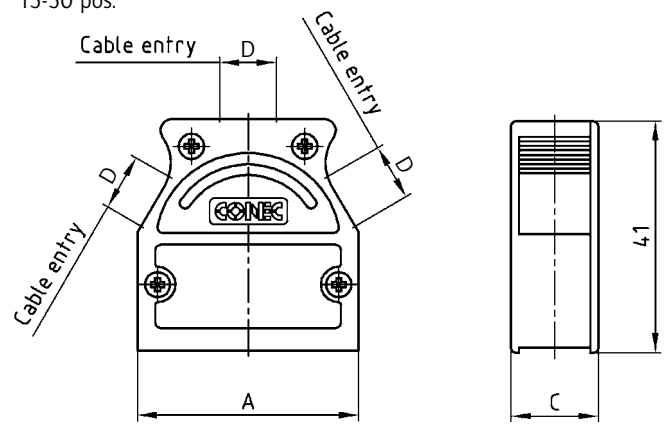
- Zinc die-cast hood, EMI/RFI shielding
- Design:
 - 9 pos. = two side cable entries,
 - 15-50 pos. = three cable entries
- Internal ground
- Bulk or single packaged units

PRODUCT DRAWING

9 pos.



15-50 pos.



No. of pos.	A	B	C	D
09	31.00	25.00	14.80	12x9.0
15	39.00	33.30	14.80	12x9.0
25	53.00	47.00	14.80	12x9.0
37	69.50	63.50	14.80	12x9.0
50	67.00	61.10	17.60	14.3x11.6

ORDER DATA

D-SUB METAL HOOD		
No. of pos.	Design	Part Number
09	Housing / Two side cable entries	600 X 51109 X
15	Housing / Three cable entries	600 X 51115 X
25	Housing / Three cable entries	600 X 51125 X
37	Housing / Three cable entries	600 X 51137 X
50	Housing / Three cable entries	600 X 51150 X
09-37	Cable clamp	160 X 10139 X
50	Cable clamp	160 X 10149 X

For single packaged add the letter „E“ at the end of the part number.

D-SUB METAL HOOD

Variable cable entries – 9-25 pos. – Jack screws



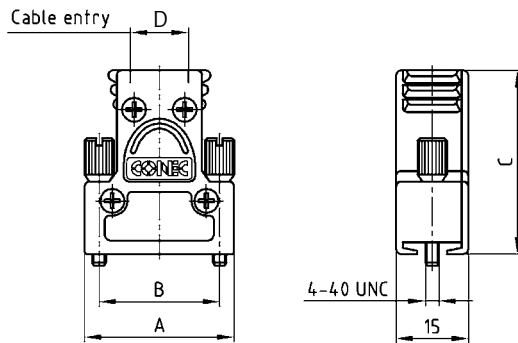
RoHS compliant – CSA listed, File No.: LR 115000-1 – UL listed, File No.: E202784

DESCRIPTION

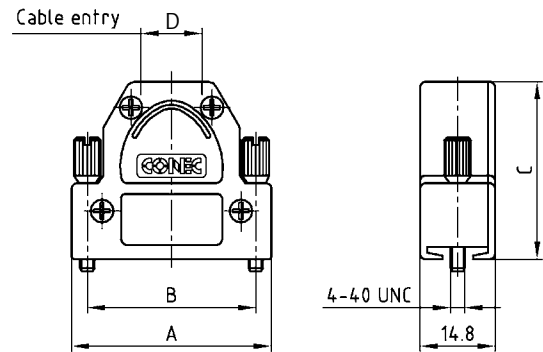
- Zinc die-cast hood, EMI/RFI shielding
- Designs:
9-15 pos. = one straight cable entry,
25 pos. = three cable entries
- Internal ground
- 4-40 UNC jack screw
- M3 thread design for jack screws available on request
- Bulk or single packaged units
- Cable clamps must be ordered separately

PRODUCT DRAWING

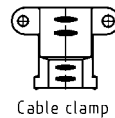
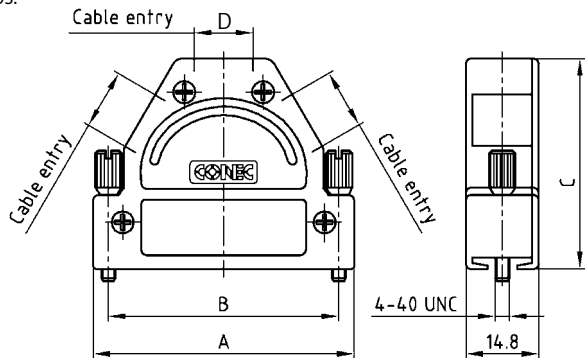
9 pos.



15 pos.



25 pos.



No. of pos.	A	B	C	D
09	31.00	25.00	37.20	8x9.00
15	39.00	33.30	35.20	11x9.00
25	53.00	47.00	42.70	11.5x9.00

ORDER DATA

D-SUB METAL HOOD WITH LONG JACK SCREW

No. of pos.	Design	Part Number
09	Housing / One straight cable entry	600 X 51209 X
15	Housing / One straight cable entry	600 X 51215 X
25	Housing / Three cable entries	600 X 51225 X
09-25	Cable clamp	160 X 10139 X

For single packaged add the letter „E“ at the end of the part number.

D-SUB METAL HOOD

Side cable entry – 9-25 pos. – Jack screws

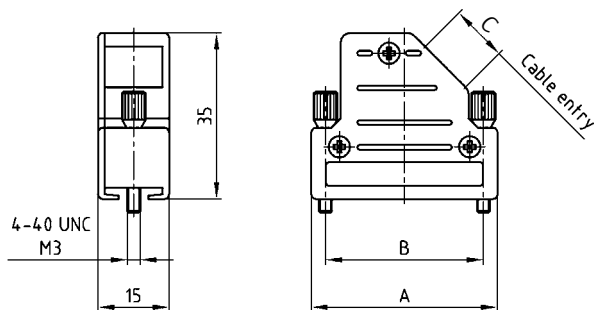


RoHS compliant – CSA listed, File No.: LR 115000-1 – UL listed, File No.: E202784

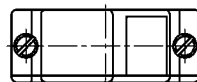
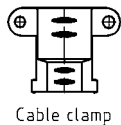
DESCRIPTION

- Zinc die-cast hood, EMI/RFI shielding
- Internal ground
- Fastening:
jack screws 4-40 UNC or M3 thread
- Bulk or single packaged units
- Cable clamps must be ordered separately

PRODUCT DRAWING



No. of pos.	A	B	C
09	31.00	25.00	10x9.2
15	39.00	33.30	12x9.2
25	53.00	47.00	12x9.2



ORDER DATA

D-SUB METAL HOOD – SIDE CABLE ENTRY		
No. of pos.	Design	Part Number
09	4-40 UNC Jack screw	600 X 51309 X
15	4-40 UNC Jack screw	600 X 51315 X
25	4-40 UNC Jack screw	600 X 51325 X
09-25	Cable clamp	160 X 10139 X

D-SUB METAL HOOD – SIDE CABLE ENTRY		
No. of pos.	Design	Part Number
09	M3 Jack screw	600 X 51609 X
15	M3 Jack screw	600 X 51615 X
25	M3 Jack screw	600 X 51625 X
09-25	Cable clamp	160 X 10139 X

For single packaged add the letter „E“ at the end of the part number.

D-SUB METAL HOOD

Straight cable entry – 9-50 pos. – With jack screws

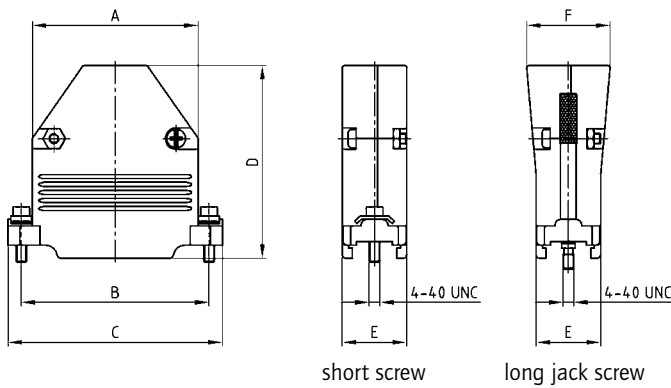


RoHS compliant – CSA listed, File No.: LR 115000-1 – UL listed, File No.: E202784

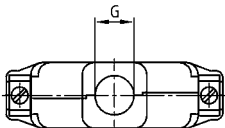
DESCRIPTION

- Zinc die-cast hood, EMI/RFI shielding
- Simple assembly
- Fastening:
 - Short screw Thread 4-40 UNC
 - Jack screw Thread 4-40 UNC
- Bulk or single packaged units

PRODUCT DRAWING



No. of pos.	A	B	C	D	E	F	G
09	19.80	25.00	31.00	47.00	15.60	-	8.50
15	27.90	33.30	40.20	48.30	16.20	-	10.00
25	41.50	47.00	53.70	48.80	16.20	-	11.00
37	57.80	63.50	69.00	48.50	16.20	20.80	14.00
50	55.00	61.10	67.00	48.50	18.70	23.20	12.30



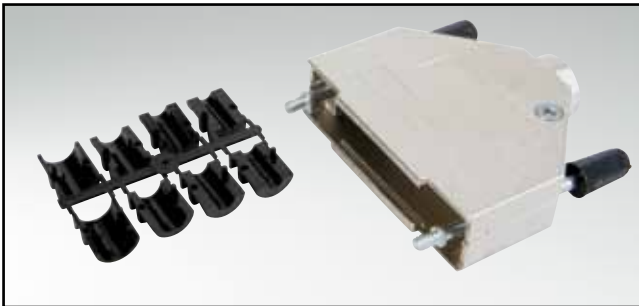
ORDER DATA

D-SUB METAL HOOD – STRAIGHT CABLE ENTRY			D-SUB METAL HOOD – STRAIGHT CABLE ENTRY		
No. of pos.	Design 4-40 UNC	Part Number	No. of pos.	Design 4-40 UNC	Part Number
09	Short screw	300 X 11129 X	09	Jack screw	300 X 11179 X
15	Short screw	300 X 11139 X	15	Jack screw	300 X 11189 X
25	Short screw	300 X 11149 X	25	Jack screw	300 X 11199 X
37	Short screw	300 X 11159 X	37	Jack screw	300 X 11209 X
50	Short screw	300 X 11169 X	50	Jack screw	300 X 11219 X

For single packaged add the letter „E“ at the end of the part number.

D-SUB METAL HOOD

Straight cable entry – 9-37 pos. – Jack screws

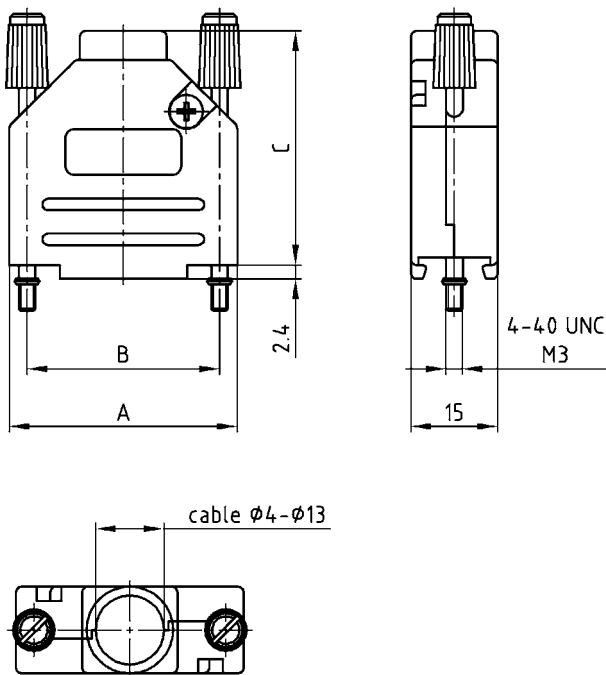


RoHS compliant – CSA listed, File No.: LR 115000-1 – UL listed, File No.: E202784

DESCRIPTION

- Zinc die-cast hood, EMI/RFI shielding
- Plastic strain relief
- Fastening:
jack screws 4-40 UNC or M3 thread
- Housing nickel plated
- Attenuation factor: > 40dB between 30 Mhz and 2 GHz
- Crimp fitting and crimp tool please contact factory
- Bulk or single packaged units

PRODUCT DRAWING



No. of pos.	A	B	C
09	31.00	25.00	38.30
15	39.50	33.30	40.50
25	53.40	47.00	47.30
37	70.90	63.50	52.20

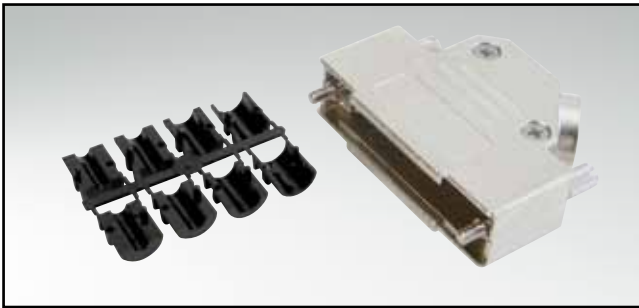
ORDER DATA

D-SUB METAL HOOD – STRAIGHT CABLE ENTRY			D-SUB METAL HOOD – STRAIGHT CABLE ENTRY		
No. of pos.	Design 4-40 UNC	Part Number	No. of pos.	Design M3	Part Number
09	Jack screw	165 X 02609 X	09	Jack screw	165 X 02649 X
15	Jack screw	165 X 02619 X	15	Jack screw	165 X 02659 X
25	Jack screw	165 X 02629 X	25	Jack screw	165 X 02669 X
37	Jack screw	165 X 02639 X	37	Jack screw	165 X 02679 X

For single packaged add the letter „E“ at the end of the part number.

D-SUB METAL HOOD

Side cable entry – 9-37 pos. – Jack screws



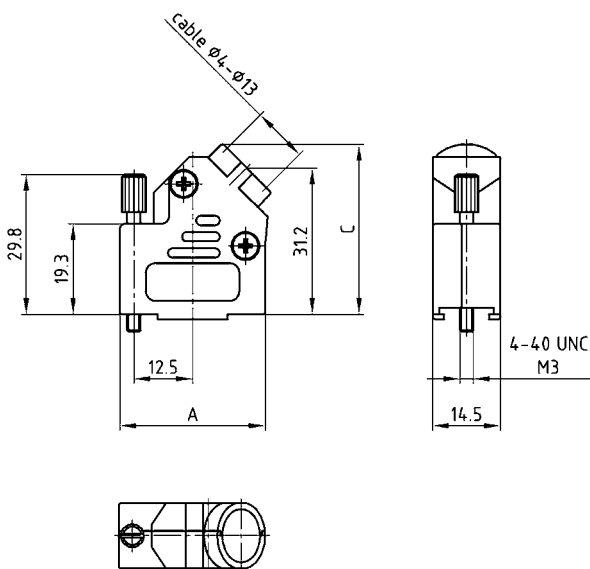
RoHS compliant – CSA listed, File No.: LR 115000-1 – UL listed, File No.: E202784

DESCRIPTION

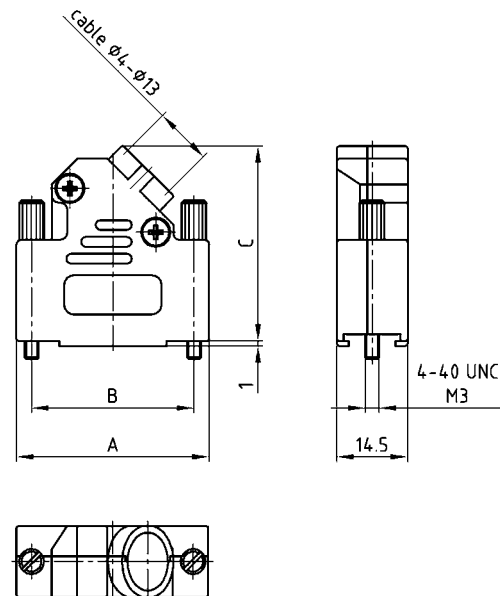
- Zinc die-cast hood, EMI/RFI shielding
- Plastic strain relief
- Fastening:
jack screws 4-40 UNC or M3 thread
- Housing nickel plated
- Attenuation factor: > 40dB between 30 Mhz and 2 GHz
- Crimp fitting and crimp tool please contact factory
- Bulk or single packaged units

PRODUCT DRAWING

9 pos.



15-37 pos.



No. of pos.	A	B	C
09	31.00		36.20
15	39.50	33.30	40.20
25	53.20	47.00	40.20
37	69.70	63.50	40.20

ORDER DATA

D-SUB METAL HOOD – SIDE CABLE ENTRY

No. of pos.	Design	4-40 UNC	Part Number
09	Jack screw		165 X 02689 X
15	Jack screw		165 X 02699 X
25	Jack screw		165 X 02709 X
37	Jack screw		165 X 02719 X

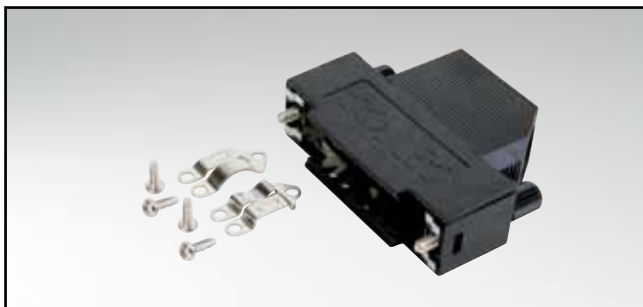
D-SUB METAL HOOD – SIDE CABLE ENTRY

No. of pos.	Design	M3	Part Number
09	Jack screw		165 X 02729 X
15	Jack screw		165 X 02739 X
25	Jack screw		165 X 02749 X
37	Jack screw		165 X 02759 X

For single packaged add the letter „E“ at the end of the part number.

D-SUB PLASTIC HOOD

Side cable entry – 9-50 pos. – With and without internal shielding



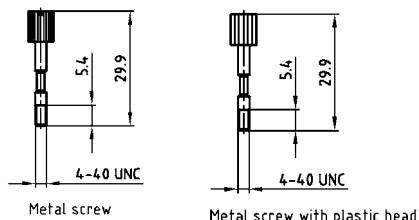
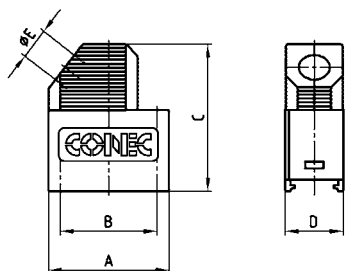
RoHS compliant – CSA listed, File No.: LR 115000-1 – UL listed, File No.: E202784

DESCRIPTION

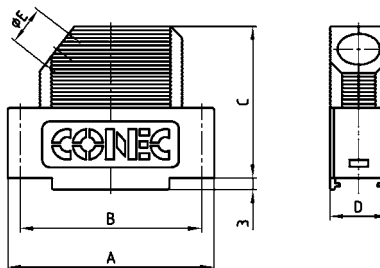
- Material: Polycarbonate Black or Grey + Glas filled
- Design:
 - without shielding
 - with internal shielding
- Fastening:
 - Metal jack screw with plastic head or full metal jack screws
- Press-fit housing assembly
- Attenuation factor at 10 MHz > 60dB (shielded version)
- Bulk or single packaged units

PRODUCT DRAWING

9 pos.



15-50 pos.



No. of pos.	A	B	C	D	Ø E
09	31.30	25.00	39.15	15.00	8.00
15	39.62	33.30	39.15	15.00	9.00
25	53.52	47.00	39.15	15.00	11.00
37	69.80	63.50	39.15	15.00	11.00
50	67.41	61.10	39.15	19.00	14.50

ORDER DATA

D-SUB PLASTIC HOOD – SIDE CABLE ENTRY - UNSHIELDED		
No. of pos.	Design	Part Number
09	Black housing / Metal jack screw / Plastic head	165 X 11709 X
15	Black housing / Metal jack screw / Plastic head	165 X 11719 X
25	Black housing / Metal jack screw / Plastic head	165 X 11729 X
37	Black housing / Metal jack screw / Plastic head	165 X 11739 X
50	Black housing / Metal jack screw / Plastic head	165 X 11749 X
09	Black housing / Full metal jack screw	165 X 00829 A
15	Black housing / Full metal jack screw	165 X 00839 A
25	Black housing / Full metal jack screw	165 X 00849 A
37	Black housing / Full metal jack screw	165 X 00859 A
50	Black housing / Full metal jack screw	165 X 00869 A
09	Grey housing / Metal jack screw / Plastic head	165 X 16019 X
15	Grey housing / Metal jack screw / Plastic head	165 X 16029 X
25	Grey housing / Metal jack screw / Plastic head	165 X 16039 X
37	Grey housing / Metal jack screw / Plastic head	165 X 16049 X
50	Grey housing / Metal jack screw / Plastic head	165 X 16059 X
09	Grey housing / Full metal jack screw	165 X 16069 X
15	Grey housing / Full metal jack screw	165 X 16079 X
25	Grey housing / Full metal jack screw	165 X 16089 X
37	Grey housing / Full metal jack screw	165 X 16099 X
50	Grey housing / Full metal jack screw	165 X 16109 X

D-SUB PLASTIC HOOD – SIDE CABLE ENTRY - SHIELDED		
No. of pos.	Design	Part Number
09	Black housing / Metal jack screw / Plastic head	165 X 11759 X
15	Black housing / Metal jack screw / Plastic head	165 X 11769 X
25	Black housing / Metal jack screw / Plastic head	165 X 11779 X
37	Black housing / Metal jack screw / Plastic head	165 X 11789 X
50	Black housing / Metal jack screw / Plastic head	165 X 11799 X
09	Black housing / Full metal jack screw	165 X 00779 A
15	Black housing / Full metal jack screw	165 X 00789 A
25	Black housing / Full metal jack screw	165 X 00799 A
37	Black housing / Full metal jack screw	165 X 00809 A
50	Black housing / Full metal jack screw	165 X 00819 A
09	Grey housing / Metal jack screw / Plastic head	165 X 16119 X
15	Grey housing / Metal jack screw / Plastic head	165 X 16129 X
25	Grey housing / Metal jack screw / Plastic head	165 X 16139 X
37	Grey housing / Metal jack screw / Plastic head	165 X 16149 X
50	Grey housing / Metal jack screw / Plastic head	165 X 16159 X
09	Grey housing / Full metal jack screw	165 X 16169 X
15	Grey housing / Full metal jack screw	165 X 16179 X
25	Grey housing / Full metal jack screw	165 X 16189 X
37	Grey housing / Full metal jack screw	165 X 16199 X
50	Grey housing / Full metal jack screw	165 X 16209 X

For single packaged add the letter „E“ at the end of the part number.

D-SUB PLASTIC HOOD

Straight cable entry – 9-50 pos. – With jack screws

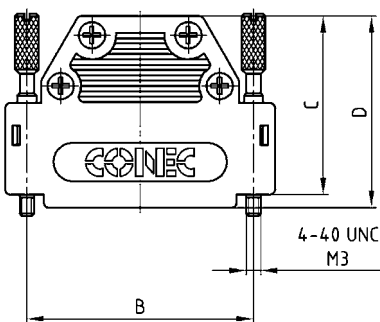


RoHS compliant – CSA listed, File No.: LR 115000-1 – UL listed, File No.: E202784

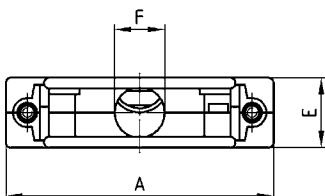
DESCRIPTION

- Two-part plastic hood
- Integrated cable clamping
- Material:
 - Plastic hood grey/black: Polyamide + Glas filled, UL 94 V-0
 - Plastic hood metallized: ABS, UL 94 V-0
- Fastening:
 - 4-40 UNC jack screw
 - M3 jack screw
- Bulk or single packaged units

PRODUCT DRAWING



No. of pos.	A	B	C	D	E	Ø F
09	34.00	25.00	25.00	27.75	14.50	8.50
15	42.30	33.30	37.00	39.75	14.50	10.00
25	56.00	47.00	37.00	39.75	14.50	10.50
37	72.50	63.50	37.00	39.75	14.50	10.50
50	67.00	61.10	49.10	51.40	19.80	14.00



ORDER DATA

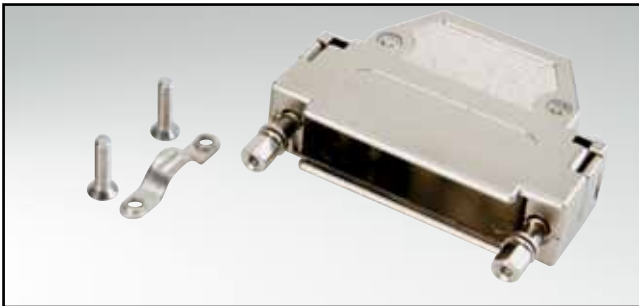
D-SUB PLASTIC HOOD – STRAIGHT CABLE ENTRY		
No. of pos.	Design	Part Number
09	Black housing / 4-40 UNC Jack screw	165 X 10139 X
15	Black housing / 4-40 UNC Jack screw	165 X 10149 X
25	Black housing / 4-40 UNC Jack screw	165 X 10159 X
37	Black housing / 4-40 UNC Jack screw	165 X 10169 X
50	Black housing / 4-40 UNC Jack screw	165 X 10179 X
09	Black housing / M3 Jack screw	165 X 10189 X
15	Black housing / M3 Jack screw	165 X 10199 X
25	Black housing / M3 Jack screw	165 X 10209 X
37	Black housing / M3 Jack screw	165 X 10219 X
50	Black housing / M3 Jack screw	165 X 10229 X
09	Grey housing / 4-40-UNC Jack screw	165 X 14109 X
15	Grey housing / 4-40-UNC Jack screw	165 X 14119 X
25	Grey housing / 4-40-UNC Jack screw	165 X 14129 X
37	Grey housing / 4-40-UNC Jack screw	165 X 14139 X
50	Grey housing / 4-40-UNC Jack screw	165 X 14149 X
09	Grey housing / M3 Jack screw	165 X 14159 X
15	Grey housing / M3 Jack screw	165 X 14169 X
25	Grey housing / M3 Jack screw	165 X 14179 X
37	Grey housing / M3 Jack screw	165 X 14189 X
50	Grey housing / M3 Jack screw	165 X 14199 X

D-SUB PLASTIC HOOD – STRAIGHT CABLE ENTRY - METALLIZED		
No. of pos.	Design	Part Number
09	Metallized housing / 4-40 UNC Jack screw	165 X 10909 X
15	Metallized housing / 4-40 UNC Jack screw	165 X 10919 X
25	Metallized housing / 4-40 UNC Jack screw	165 X 10929 X
37	Metallized housing / 4-40 UNC Jack screw	165 X 10939 X
50	Metallized housing / 4-40 UNC Jack screw	165 X 10949 X
09	Metallized housing / M3 Jack screw	165 X 10959 X
15	Metallized housing / M3 Jack screw	165 X 10969 X
25	Metallized housing / M3 Jack screw	165 X 10979 X
37	Metallized housing / M3 Jack screw	165 X 10989 X
50	Metallized housing / M3 Jack screw	165 X 10999 X

For single packaged add the letter „E“ at the end of the part number.

D-SUB PLASTIC HOOD

Straight cable entry – 9-50 pos. – Cable-to-cable connection

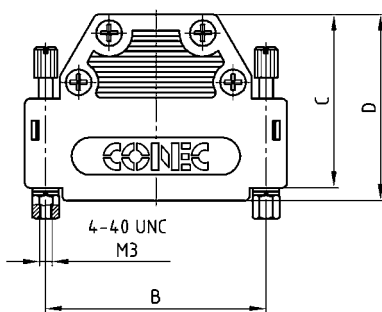


RoHS compliant – CSA listed, File No.: LR 115000-1 – UL listed, File No.: E202784

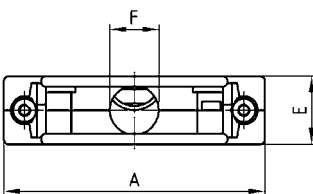
DESCRIPTION

- Two-part plastic hood
- Integrated cable clamping
- Material:
 - Plastic hood grey / black: Polyamide + Glas filled, UL 94 V-0
 - Plastic hood metallized: ABS, UL 94 V-0
- Fastening:
 - 4-40 UNC jack screw
 - M3 jack screw
- Bulk or single packaged units

PRODUCT DRAWING



No. of pos.	A	B	C	D	E	Ø F
09	34.00	25.00	25.00	27.75	14.50	8.50
15	42.30	33.30	37.00	39.75	14.50	10.00
25	56.00	47.00	37.00	39.75	14.50	10.50
37	72.50	63.50	37.00	39.75	14.50	10.50
50	67.00	61.10	49.10	51.40	19.80	14.00



ORDER DATA

D-SUB PLASTIC HOOD – CABLE-TO-CABLE CONNECTION		
No. of pos.	Design	Part Number
09	Black housing / Jack screw / 4-40 UNC Hex bolt	165 X 10239 X
15	Black housing / Jack screw / 4-40 UNC Hex bolt	165 X 10249 X
25	Black housing / Jack screw / 4-40 UNC Hex bolt	165 X 10259 X
37	Black housing / Jack screw / 4-40 UNC Hex bolt	165 X 10269 X
50	Black housing / Jack screw / 4-40 UNC Hex bolt	165 X 10279 X
09	Black housing / Jack screw / M3 Hex bolt	165 X 10289 X
15	Black housing / Jack screw / M3 Hex bolt	165 X 10299 X
25	Black housing / Jack screw / M3 Hex bolt	165 X 10309 X
37	Black housing / Jack screw / M3 Hex bolt	165 X 10319 X
50	Black housing / Jack screw / M3 Hex bolt	165 X 10329 X
09	Grey housing / Jack screw / 4-40 UNC Hex bolt	165 X 14209 X
15	Grey housing / Jack screw / 4-40 UNC Hex bolt	165 X 14219 X
25	Grey housing / Jack screw / 4-40 UNC Hex bolt	165 X 14229 X
37	Grey housing / Jack screw / 4-40 UNC Hex bolt	165 X 14239 X
50	Grey housing / Jack screw / 4-40 UNC Hex bolt	165 X 14249 X
09	Grey housing / Jack screw / M3 Hex bolt	165 X 14259 X
15	Grey housing / Jack screw / M3 Hex bolt	165 X 14269 X
25	Grey housing / Jack screw / M3 Hex bolt	165 X 14279 X
37	Grey housing / Jack screw / M3 Hex bolt	165 X 14289 X
50	Grey housing / Jack screw / M3 Hex bolt	165 X 14299 X

D-SUB PLASTIC HOOD - CABLE-TO-CABLE CONNECTION – METALLIZED		
No. of pos.	Design	Part Number
09	Metallized housing / Jack screw / 4-40 UNC Hex bolt	165 X 11009 X
15	Metallized housing / Jack screw / 4-40 UNC Hex bolt	165 X 11019 X
25	Metallized housing / Jack screw / 4-40 UNC Hex bolt	165 X 11029 X
37	Metallized housing / Jack screw / 4-40 UNC Hex bolt	165 X 11039 X
50	Metallized housing / Jack screw / 4-40 UNC Hex bolt	165 X 11049 X
09	Metallized housing / Jack screw / M3 Hex bolt	165 X 11059 X
15	Metallized housing / Jack screw / M3 Hex bolt	165 X 11069 X
25	Metallized housing / Jack screw / M3 Hex bolt	165 X 11079 X
37	Metallized housing / Jack screw / M3 Hex bolt	165 X 11089 X
50	Metallized housing / Jack screw / M3 Hex bolt	165 X 11099 X

For single packaged add the letter „E“ at the end of the part number.

D-SUB PLASTIC HOOD

Straight cable entry – 9-50 pos.



RoHS compliant – CSA listed, File No.: LR 115000-1 – UL listed, File No.: E202784

DESCRIPTION

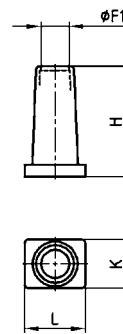
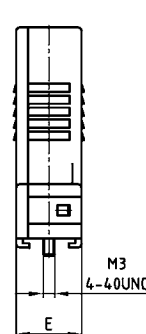
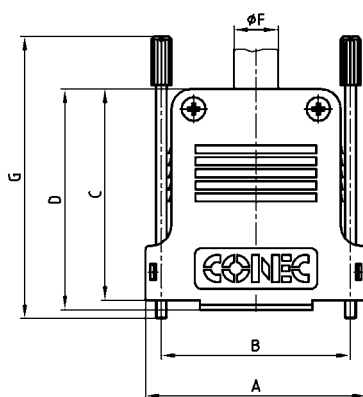
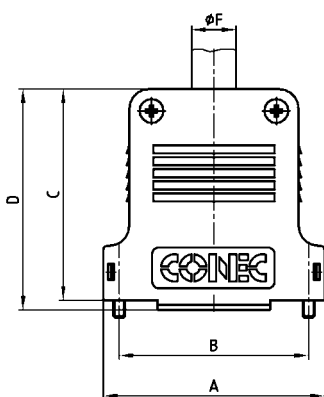
- Suitable for Combination D-SUB Connectors
- Large internal space for crimp, high power and coaxial contacts
- Material:
 - Plastic hood black: Polyester, UL 94 V-0
 - Plastic hood metallized: ABS, UL 94 V-0
- Fastening:
 - 4-40 UNC jack screw or M3
 - 4-40 UNC short screw or M3
- Bulk or single packaged units

PRODUCT DRAWING

Short screw

Jack screw

Cable grommet



No. of pos.	A	B	C	D	E	Ø F	Ø F1	G	H	K	L
09	32.90	25.00	39.50	41.80	16.30	11.00	5.00	60.00	24.50	11.20	11.20
15	41.20	33.30	45.50	47.80	16.30	11.00	5.00	60.00	24.50	11.20	11.20
25	54.90	47.00	52.50	54.80	16.30	12.00	7.00	70.00	27.50	12.20	15.00
37	71.40	63.50	55.50	57.80	18.70	15.00	7.00	70.00	27.50	12.20	15.00
50	69.00	61.10	55.00	57.80	19.50	14.00	9.30	70.00	29.20	15.00	20.00

ORDER DATA

D-SUB PLASTIC HOOD BLACK		
No. of pos.	Design	Part Number
09	Black housing / 4-40 UNC Short screw	165 X 13369 X
15	Black housing / 4-40 UNC Short screw	165 X 13379 X
25	Black housing / 4-40 UNC Short screw	165 X 13389 X
37	Black housing / 4-40 UNC Short screw	165 X 13399 X
50	Black housing / 4-40 UNC Short screw	165 X 13409 X
09	Black housing / M3 Short screw	165 X 14509 X
15	Black housing / M3 Short screw	165 X 14519 X
25	Black housing / M3 Short screw	165 X 14529 X
37	Black housing / M3 Short screw	165 X 14539 X
50	Black housing / M3 Short screw	165 X 14549 X
09	Black housing / 4-40 UNC Jack screw	165 X 03309 A
15	Black housing / 4-40 UNC Jack screw	165 X 03319 A
25	Black housing / 4-40 UNC Jack screw	165 X 03329 A
37	Black housing / 4-40 UNC Jack screw	165 X 03339 A
50	Black housing / 4-40 UNC Jack screw	165 X 03349 A
09	Black housing / M3 Jack screw	165 X 03359 A
15	Black housing / M3 Jack screw	165 X 03369 A
25	Black housing / M3 Jack screw	165 X 03379 A
37	Black housing / M3 Jack screw	165 X 03389 A
50	Black housing / M3 Jack screw	165 X 03399 A

D-SUB PLASTIC HOOD METALLIZED		
No. of pos.	Design	Part Number
09	Metallized housing / 4-40 UNC Short screw	165 X 13469 X
15	Metallized housing / 4-40 UNC Short screw	165 X 13479 X
25	Metallized housing / 4-40 UNC Short screw	165 X 13489 X
37	Metallized housing / 4-40 UNC Short screw	165 X 13499 X
50	Metallized housing / 4-40 UNC Short screw	165 X 13509 X
09	Metallized housing / M3 Short screw	165 X 14609 X
15	Metallized housing / M3 Short screw	165 X 14619 X
25	Metallized housing / M3 Short screw	165 X 14629 X
37	Metallized housing / M3 Short screw	165 X 14639 X
50	Metallized housing / M3 Short screw	165 X 14649 X

CABLE GROMMET		
No. of pos.	Design	Part Number
09/15	Cable grommet for 9 and 15 pos. hood	795-907600
25/37	Cable grommet for 25 and 37 pos. hood	795-907700
50	Cable grommet for 50 pos. hood	795-907800

For single packaged add the letter „E“ at the end of the part number.

D-SUB PLASTIC HOOD

Side cable entry – 9-50 pos.



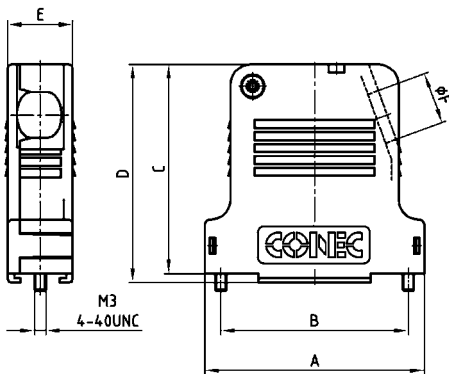
RoHS compliant – CSA listed, File No.: LR 115000-1 – UL listed, File No.: E202784

DESCRIPTION

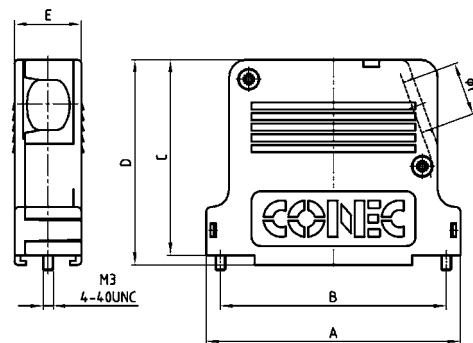
- Suitable for Combination D-SUB Connectors
- Large internal space for crimp, high power and coaxial contacts
- Material:
 - Plastic hood black: Polyester, UL 94 V-0
 - Plastic hood metallized: ABS, UL 94 V-0
- Fastening:
 - 4-40 UNC or M3 short screw
- Bulk or single packaged units

PRODUCT DRAWING

9-25 pos.



37-50 pos.



No. of pos.	A	B	C	D	E	Ø F
09	32.90	25.00	39.50	41.90	16.40	8.60
15	41.20	33.30	45.50	47.90	16.40	9.40
25	54.90	47.00	52.50	54.90	16.40	13.00
37	71.40	63.50	55.00	57.90	18.80	15.00
50	69.00	61.10	55.00	57.90	19.60	14.90

ORDER DATA

D-SUB PLASTIC HOOD BLACK		
No. of pos.	Design	Part Number
09	Black housing / 4-40 UNC Short screw	165 X 13419 X
15	Black housing / 4-40 UNC Short screw	165 X 13429 X
25	Black housing / 4-40 UNC Short screw	165 X 13439 X
37	Black housing / 4-40 UNC Short screw	165 X 13449 X
50	Black housing / 4-40 UNC Short screw	165 X 13459 X
09	Black housing / M3 Short screw	165 X 14559 X
15	Black housing / M3 Short screw	165 X 14569 X
25	Black housing / M3 Short screw	165 X 14579 X
37	Black housing / M3 Short screw	165 X 14589 X
50	Black housing / M3 Short screw	165 X 14599 X

For single packaged add the letter „E“ at the end of the part number.

D-SUB PLASTIC HOOD METALLIZED		
No. of pos.	Design	Part Number
09	Metallized housing / 4-40 UNC Short screw	165 X 13519 X
15	Metallized housing / 4-40 UNC Short screw	165 X 13529 X
25	Metallized housing / 4-40 UNC Short screw	165 X 13539 X
37	Metallized housing / 4-40 UNC Short screw	165 X 13549 X
50	Metallized housing / 4-40 UNC Short screw	165 X 13559 X
09	Metallized housing / M3 Short screw	165 X 14659 X
15	Metallized housing / M3 Short screw	165 X 14669 X
25	Metallized housing / M3 Short screw	165 X 14679 X
37	Metallized housing / M3 Short screw	165 X 14689 X
50	Metallized housing / M3 Short screw	165 X 14699 X

CABLE GROMMET		
No. of pos.	Design	Part Number
09/15	Cable grommet for 9 and 15 pos. hood	795-907600
25/37	Cable grommet for 25 and 37 pos. hood	795-907700
50	Cable grommet for 50 pos. hood	795-907800

D-SUB PLASTIC HOOD

Single or dual cable entry – 9-50 pos.



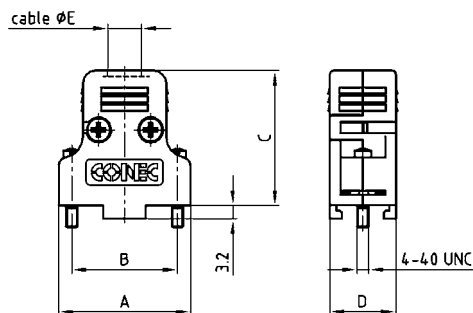
RoHS compliant – CSA listed, File No.: LR 115000-1 – UL listed, File No.: E202784

DESCRIPTION

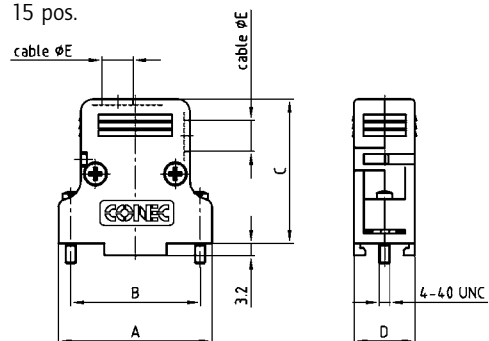
- Integrated cable clamping
- Design:
 - 9 pos. = one straight cable entry,
 - 15-50 pos. = one straight and one side cable entry
- Material:
 - Plastic hood grey: Polycarbonate + Glas filled, UL 94 V-0
 - Plastic hood metallized: ABS, UL 94 V-0
- Fastening:
 - 4-40 UNC short screw
- Bulk or single packaged units

PRODUCT DRAWING

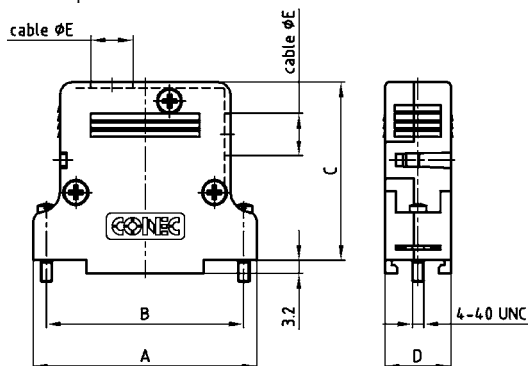
9 pos.



15 pos.



25-50 pos.



No. of pos.	A	B	C	D	Ø E
09	31.20	25.00	31.80	15.60	8.00
15	39.50	33.30	37.00	15.60	8.00
25	53.20	47.00	42.20	15.60	10.00
37	69.70	63.50	42.20	15.60	10.00
50	67.30	61.10	42.20	18.50	12.50

ORDER DATA

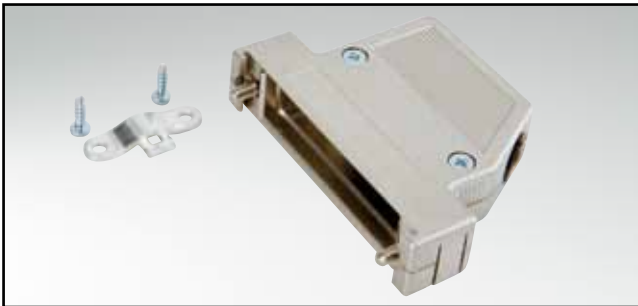
D-SUB PLASTIC HOOD GREY		
No. of pos.	Design	Part Number
09	Grey housing/Single cable entry/4-40 UNC Short screw	165 X 11869 X
15	Grey housing/Dual cable entries/4-40 UNC Short screw	165 X 11879 X
25	Grey housing/Dual cable entries/4-40 UNC Short screw	165 X 11889 X
37	Grey housing/Dual cable entries/4-40 UNC Short screw	165 X 11899 X
50	Grey housing/Dual cable entries/4-40 UNC Short screw	165 X 11909 X

D-SUB PLASTIC HOOD METALLIZED		
No. of pos.	Design	Part Number
09	Metallized housing/Single cable entry/4-40 UNC Short screw	165X11919 X
15	Metallized housing/Dual cable entries/4-40 UNC Short screw	165X11929 X
25	Metallized housing/Dual cable entries/4-40 UNC Short screw	165X11939 X
37	Metallized housing/Dual cable entries/4-40 UNC Short screw	165X11949 X
50	Metallized housing/Dual cable entries/4-40 UNC Short screw	165X11959 X

For single packaged add the letter „E“ at the end of the part number.

D-SUB PLASTIC HOOD

Straight or side cable entry – 9-37 pos. – Low profile



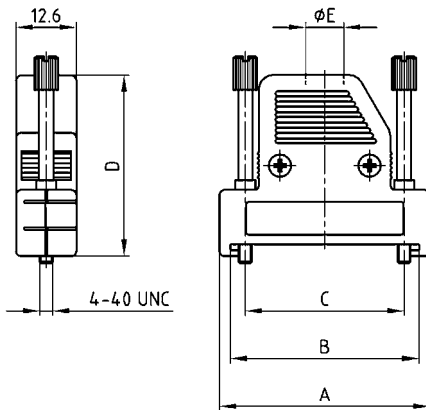
RoHS compliant – CSA listed, File No.: LR 115000-1 – UL listed, File No.: E202784

DESCRIPTION

- Space-saving, side-by-side mounting
- Material:
 - Plastic hood black: ABS, UL 94 V-0
 - Plastic hood metallized: ABS, UL 94 V-0
- Fastening:
 - 4-40 UNC jack screw
 - 4-40 UNC short screw
- Bulk or single packaged units

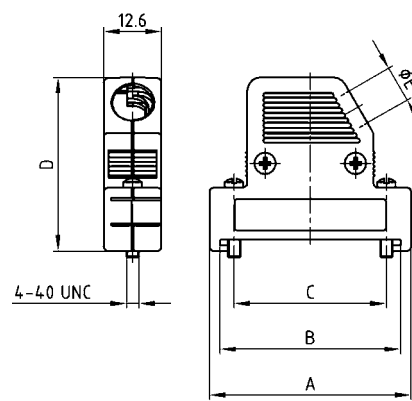
PRODUCT DRAWING

Straight cable entry 9-37 pos.



No. of pos.	A	B	C	D	Ø E
09	35.80	31.20	25.00	37.00	8.00
15	44.10	39.50	33.30	38.00	8.00
25	57.90	53.20	47.00	41.00	9.00
37	74.30	69.70	63.50	41.00	9.00

60° cable entry 9-37 pos.



No. of pos.	A	B	C	D	Ø E
09	35.80	31.20	25.00	37.00	8.00
15	44.10	39.50	33.30	38.00	8.00
25	57.90	53.20	47.00	41.00	9.00
37	74.30	69.70	63.50	41.00	9.00

ORDER DATA

D-SUB PLASTIC HOOD - STRAIGHT CABLE ENTRY

No. of pos.	Design	Part Number
09	Black housing / 4-40 UNC Jack screw	165 X 16219 X
15	Black housing / 4-40 UNC Jack screw	165 X 16229 X
25	Black housing / 4-40 UNC Jack screw	165 X 16239 X
37	Black housing / 4-40 UNC Jack screw	165 X 16249 X
09	Metallized housing / 4-40-UNC Jack screw	165 X 16299 X
15	Metallized housing / 4-40-UNC Jack screw	165 X 16309 X
25	Metallized housing / 4-40-UNC Jack screw	165 X 16319 X
37	Metallized housing / 4-40-UNC Jack screw	165 X 16329 X

D-SUB PLASTIC HOOD – SIDE CABLE ENTRY

No. of pos.	Design	Part Number
09	Black housing / 4-40 UNC Short screw	165 X 16379 X
15	Black housing / 4-40 UNC Short screw	165 X 16389 X
25	Black housing / 4-40 UNC Short screw	165 X 16399 X
37	Black housing / 4-40 UNC Short screw	165 X 16409 X
09	Metallized housing / 4-40-UNC Short screw	165 X 16459 X
15	Metallized housing / 4-40-UNC Short screw	165 X 16469 X
25	Metallized housing / 4-40-UNC Short screw	165 X 16479 X
37	Metallized housing / 4-40-UNC Short screw	165 X 16489 X

For single packaged add the letter „E“ at the end of the part number.

D-SUB PLASTIC HOOD

Straight or side cable entry – 9-50 pos. – Jack screws or slide lock mounting



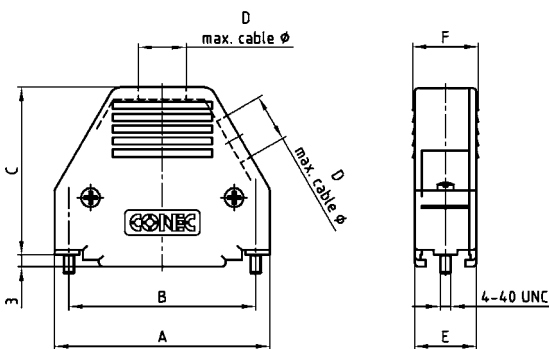
RoHS compliant – CSA listed, File No.: LR 115000-1 – UL listed, File No.: E202784

DESCRIPTION

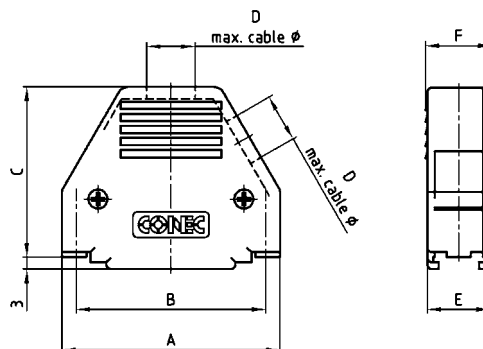
- Integrated strain relief
- Entries not in use are blanked off with blanking plugs
- Material:
 - Plastic hood black: ABS, UL 94 V-0
 - Plastic hood metallized: ABS, UL 94 V-0
- Fastening:
 - 4-40 UNC short screws
 - Slide lock
- Bulk or single packaged units

PRODUCT DRAWING

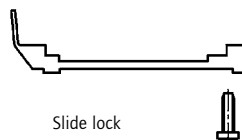
Housing with short slotted screw



Housing with slide lock



No. of pos.	A	B	C	Ø D	E	F
09	32.00	25.00	36.70	6.30	15.50	16.50
15	40.00	33.30	38.20	8.00	15.50	16.50
25	54.20	47.00	42.20	10.50	15.50	16.50
37	70.60	63.50	47.20	11.50	15.50	16.50
50	68.20	61.10	47.20	13.70	19.60	20.60



ORDER DATA

D-SUB PLASTIC HOOD – BLACK		
No. of pos.	Design	Part Number
09	4-40 UNC Short screw	165 X 11239 X
15	4-40 UNC Short screw	165 X 11249 X
25	4-40 UNC Short screw	165 X 11259 X
37	4-40 UNC Short screw	165 X 11269 X
50	4-40 UNC Short screw	165 X 16539 X
09	Slide lock version	165 X 11279 X
15	Slide lock version	165 X 11289 X
25	Slide lock version	165 X 11299 X
37	Slide lock version	165 X 11309 X
50	Slide lock version	165 X 16549 X

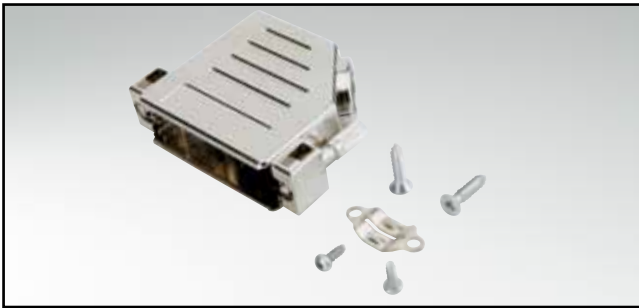
D-SUB PLASTIC HOOD – METALLIZED		
No. of pos.	Design	Part Number
09	4-40 UNC Short screw	165 X 11319 X
15	4-40 UNC Short screw	165 X 11329 X
25	4-40 UNC Short screw	165 X 11339 X
37	4-40 UNC Short screw	165 X 11349 X
50	4-40 UNC Short screw	165 X 16559 X
09	Slide lock version	165 X 11359 X
15	Slide lock version	165 X 11369 X
25	Slide lock version	165 X 11379 X
37	Slide lock version	165 X 11389 X
50	Slide lock version	165 X 16569 X

For single packaged add the letter „E“ at the end of the part number.

LOCKING FOR SLIDE LOCK		
No. of pos.	Design	Part Number
09-37	Locking hooks for 9-37 pos. hood	795-907600
50	Locking hooks 50 pos. hood	795-907700

D-SUB PLASTIC HOOD

Side cable entry – 9-50 pos. – Jack screws or short screws



RoHS compliant – CSA listed, File No.: LR 115000-1 – UL listed, File No.: E202784

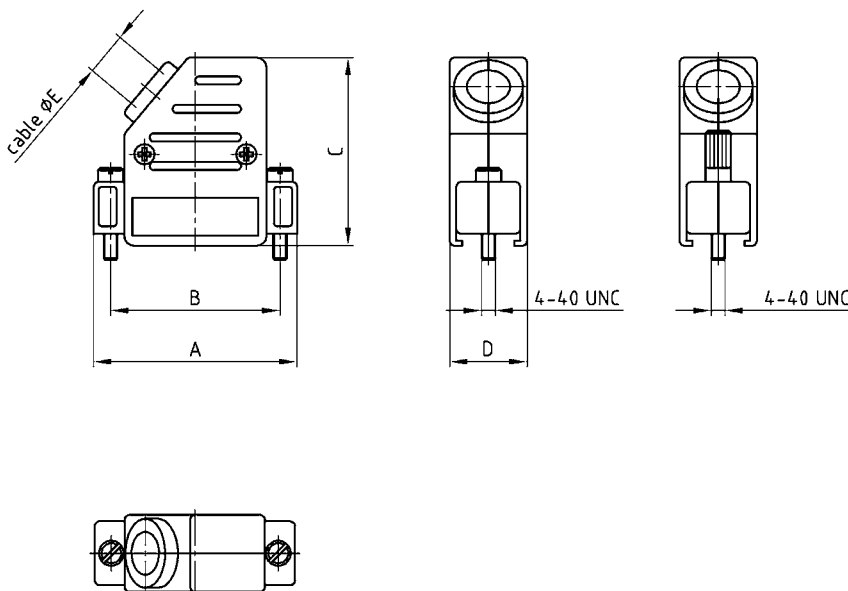
DESCRIPTION

- Material:
 - Plastic hood black: ABS, UL 94 V-0
 - Plastic hood metallized: ABS, UL 94 V-0
- Fastening:
 - 4-40 UNC short screws
 - 4-40 UNC jack screws
- Bulk or single packaged units

PRODUCT DRAWING

with short screw

with jack screws



No. of pos.	A	B	C	D	Ø E
09	31.50	25.00	37.00	15.20	8.50
15	40.00	33.30	37.00	15.20	8.50
25	53.50	47.00	41.00	15.20	11.00
37	70.00	63.50	41.00	15.20	11.00
50	67.80	61.10	41.00	18.20	12.00

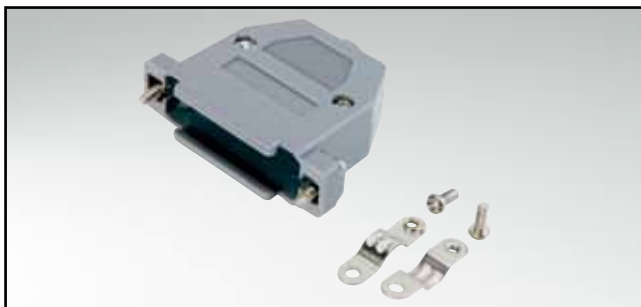
ORDER DATA

D-SUB PLASTIC HOOD – SIDE CABLE ENTRY			D-SUB PLASTIC HOOD – SIDE CABLE ENTRY – METALLIZED		
No. of pos.	Design	Part Number	No. of pos.	Design	Part Number
09	Black housing / 4-40 UNC Short screw	600 X 54009 X	09	Metallized housing / 4-40 UNC Short screw	600 X 56009 X
15	Black housing / 4-40 UNC Short screw	600 X 54015 X	15	Metallized housing / 4-40 UNC Short screw	600 X 56015 X
25	Black housing / 4-40 UNC Short screw	600 X 54025 X	25	Metallized housing / 4-40 UNC Short screw	600 X 56025 X
37	Black housing / 4-40 UNC Short screw	600 X 54037 X	37	Metallized housing / 4-40 UNC Short screw	600 X 56037 X
50	Black housing / 4-40 UNC Short screw	600 X 54050 X	50	Metallized housing / 4-40 UNC Short screw	600 X 56050 X
09	Black housing / 4-40 UNC Jack screw	600 X 55009 X	09	Metallized housing / 4-40 UNC Jack screw	600 X 57009 X
15	Black housing / 4-40 UNC Jack screw	600 X 55015 X	15	Metallized housing / 4-40 UNC Jack screw	600 X 57015 X
25	Black housing / 4-40 UNC Jack screw	600 X 55025 X	25	Metallized housing / 4-40 UNC Jack screw	600 X 57025 X
37	Black housing / 4-40 UNC Jack screw	600 X 55037 X	37	Metallized housing / 4-40 UNC Jack screw	600 X 57037 X
50	Black housing / 4-40 UNC Jack screw	600 X 55050 X	50	Metallized housing / 4-40 UNC Jack screw	600 X 57050 X

For single packaged add the letter „E“ at the end of the part number.

D-SUB PLASTIC HOOD

Straight cable entry – 9-37 pos. – Jack screws or short screws



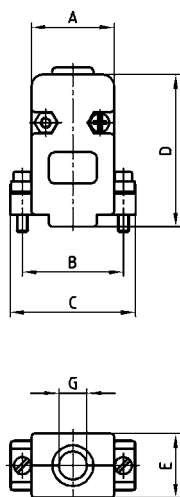
RoHS compliant – CSA listed, File No.: LR 115000-1 – UL listed, File No.: E202784

DESCRIPTION

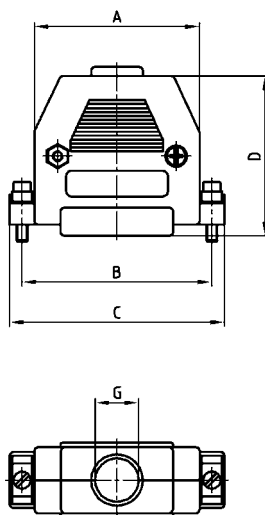
- Material:
 - Plastic hood grey: ABS, UL 94 V-2
 - Plastic hood metallized: ABS, UL 94 V-2
- Fastening:
 - 4-40 UNC short screw
 - 4-40 UNC jack screw
- Bulk or single packaged units

PRODUCT DRAWING

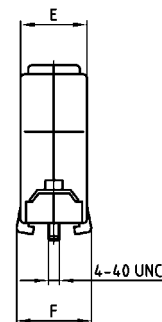
9 pos.



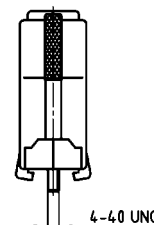
15-50 pos.



with short screw



with jack screws



No. of pos.	A	B	C	D	E	F	Ø G
09	20.50	25.00	31.00	38.80	16.00	16.00	7.00
15	28.00	33.30	39.50	35.50	16.00	17.50	10.00
25	41.00	47.00	55.00	42.00	16.50	16.50	11.00
37	58.00	63.50	70.00	51.10	24.20	19.00	14.00

ORDER DATA

D-SUB PLASTIC HOOD – GREY		
No. of pos.	Design 4-40 UNC	Part Number
09	Grey housing / Short screw	300 X 10169 X
15	Grey housing / Short screw	300 X 10179 X
25	Grey housing / Short screw	300 X 10209 X
37	Grey housing / Short screw	300 X 10219 X
09	Grey housing / Jack screw	300 X 10829 X
15	Grey housing / Jack screw	300 X 10839 X
25	Grey housing / Jack screw	300 X 10859 X
37	Grey housing / Jack screw	300 X 10869 X

D-SUB PLASTIC HOOD – METALLIZED		
No. of pos.	Design 4-40 UNC	Part Number
09	Metallized housing / Short screw	300 X 10109 X
15	Metallized housing / Short screw	300 X 10119 X
25	Metallized housing / Short screw	300 X 10149 X
37	Metallized housing / Short screw	300 X 10159 X
09	Metallized housing / Jack screw	300 X 10879 X
15	Metallized housing / Jack screw	300 X 10889 X
25	Metallized housing / Jack screw	300 X 10909 X
37	Metallized housing / Jack screw	300 X 10919 X

For single packaged add the letter „E“ at the end of the part number.

D-SUB PLASTIC HOOD

Straight or side cable entry – 9-50 pos.

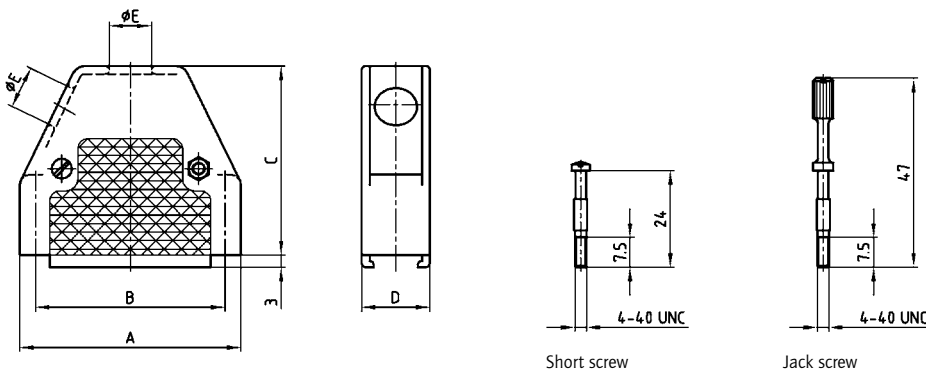


RoHS compliant – CSA listed, File No.: LR 115000-1 – UL listed, File No.: E202784

DESCRIPTION

- Material:
Plastic hood black: Polyamide 6.6 + Glas filled, UL 94 V-0
- Fastening:
- 4-40 UNC short screw
- 4-40 UNC jack screw
- Bulk or single packaged units

PRODUCT DRAWING



No. of pos.	A	B	C	D	Ø E
09	33.00	25.00	45.50	17.00	7.50
15	41.00	33.30	45.50	17.00	8.50
25	55.00	47.00	47.00	17.00	10.50
37	71.30	63.50	51.00	17.00	11.00
50	69.00	61.10	50.00	20.00	12.50

ORDER DATA

D-SUB PLASTIC HOOD		
No. of pos.	Design 4-40 UNC	Part Number
09	Black housing / Short screw	165 X 13019 X
15	Black housing / Short screw	165 X 13029 X
25	Black housing / Short screw	165 X 13039 X
37	Black housing / Short screw	165 X 13049 X
50	Black housing / Short screw	165 X 13059 X

D-SUB PLASTIC HOOD		
No. of pos.	Design 4-40 UNC	Part Number
09	Black housing / Jack screw	165 X 13079 X
15	Black housing / Jack screw	165 X 13089 X
25	Black housing / Jack screw	165 X 13099 X
37	Black housing / Jack screw	165 X 13109 X
50	Black housing / Jack screw	165 X 13119 X

For single packaged add the letter „E“ at the end of the part number.

D-SUB PLASTIC HOOD

Straight cable entry – 9, 25 and 37 pos. – Flat mounting style

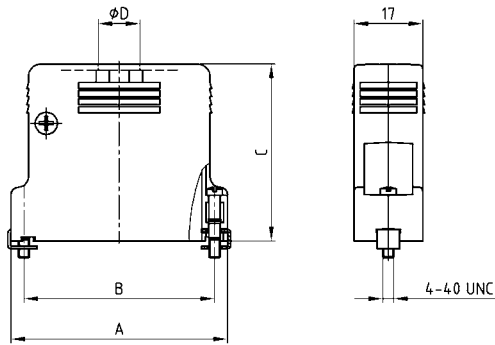


RoHS compliant – CSA listed, File No.: LR 115000-1 – UL listed, File No.: E202784

DESCRIPTION

- Strain relief is achieved by using a cable tie
- Material:
Plastic hood black: Polyamide 6.6 + Glas filled, UL 94 V-0
- Fastening:
4-40 UNC short screw
- Bulk or single packaged units

PRODUCT DRAWING



No. of pos.	A	B	C	Ø D
09	31.20	25.00	43.60	8.00
25	53.50	47.00	43.60	10.30
37	69.70	63.50	43.60	10.30

ORDER DATA

D-SUB PLASTIC HOOD		
No. of pos.	Design 4-40 UNC	Part Number
09	Black housing / Short screw	165 X 13179 X
25	Black housing / Short screw	165 X 13199 X
37	Black housing / Short screw	165 X 13209 X

For single packaged add the letter „E“ at the end of the part number.