



Chipsmall Limited consists of a professional team with an average of over 10 year of expertise in the distribution of electronic components. Based in Hongkong, we have already established firm and mutual-benefit business relationships with customers from,Europe,America and south Asia,supplying obsolete and hard-to-find components to meet their specific needs.

With the principle of “Quality Parts,Customers Priority,Honest Operation,and Considerate Service”,our business mainly focus on the distribution of electronic components. Line cards we deal with include Microchip,ALPS,ROHM,Xilinx,Pulse,ON,Everlight and Freescale. Main products comprise IC,Modules,Potentiometer,IC Socket,Relay,Connector.Our parts cover such applications as commercial,industrial, and automotives areas.

We are looking forward to setting up business relationship with you and hope to provide you with the best service and solution. Let us make a better world for our industry!



## Contact us

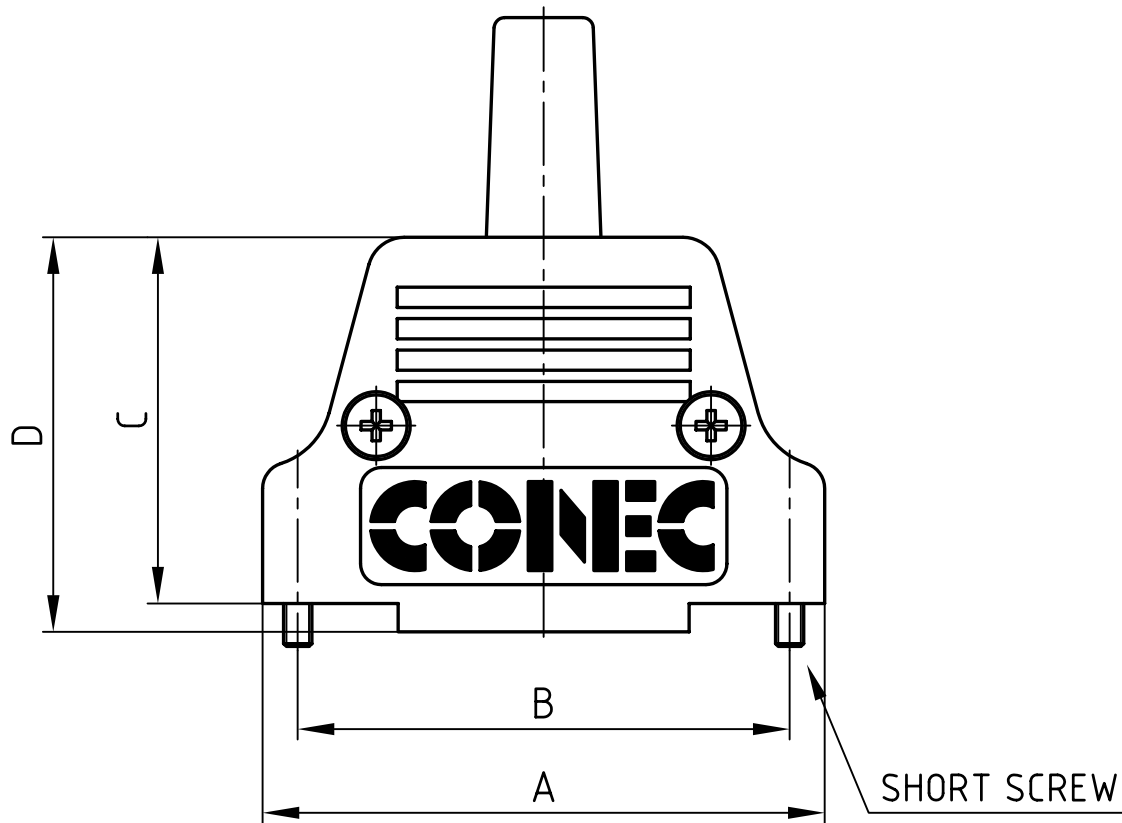
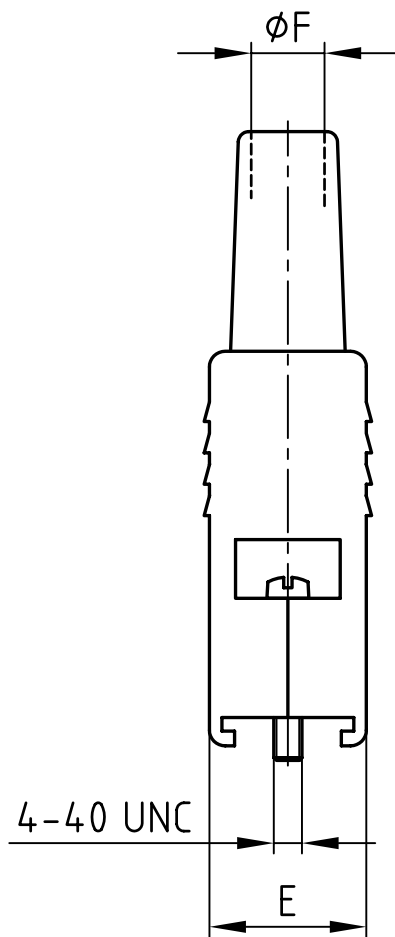
Tel: +86-755-8981 8866 Fax: +86-755-8427 6832

Email & Skype: info@chipsmall.com Web: www.chipsmall.com

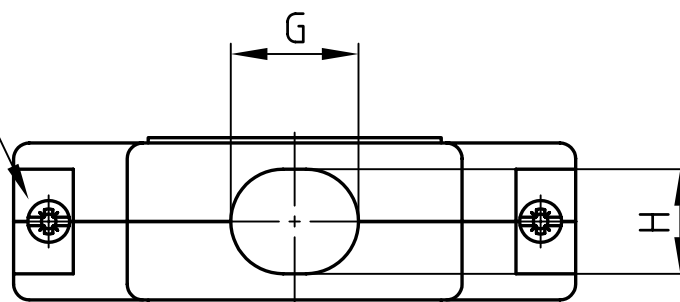
Address: A1208, Overseas Decoration Building, #122 Zhenhua RD., Futian, Shenzhen, China



used for: D-SUB



COMBI  
CROSS RECESSED SCREW  
( Z - SIZE 1 )  
SLOTTED SCREW  
( SLOTT WIDTH 0.8mm )



TOP VIEW  
DRAWN WITHOUT  
CABLE BUSHING

Directive 2002/95/EC  
"RoHS"  
Compliant

Pos.	A	B	C	D	E	$\phi F$	$G^{+0.2}$	H	Part NO. Bulk package	Part NO. Single package
9	31.7	25.0	30.0	32.7	15.0	5.0	9.0	9.0	165X17409X	165X17409XE
15	40.0	33.3	32.0	34.7	15.0	5.0	9.0	9.0	165X17419X	165X17419XE
25	53.7	47.0	35.0	37.7	15.0	7.0	12.2	10.0	165X17429X	165X17429XE
37	70.2	63.5	41.0	43.7	15.0	7.0	13.5	11.0	165X17439X	165X17439XE
50	67.8	61.1	41.0	43.7	17.7	9.3	15.3	12.7	165X17449X	165X17449XE

APPROVAL # FREIGABE # DEBLOCAGE # AUTORIZACION # APPROVAL

CUSTOMER APPROVAL DATE:

NAME: TITLE:

COMPANY NAME:

APPROVAL # FREIGABE # DEBLOCAGE # AUTORIZACION # APPROVAL

NOTES:

1. CASE: ZINC DIECAST; NICKEL PLATED
2. SHORT SCREW: STEEL; NICKEL PLATED
3. CABLE BUSHING: TPE
4. CABLE STRAIN RELIEF: STEEL; NICKEL PLATED
5. ATTENUATION FACTOR >60dB BETWEEN 300 MHz AND 900 MHz

THIS DRAWING MAY NOT BE COPIED OR REPRODUCED IN ANY WAY, AND MAY NOT BE PASSED ON TO A THIRD PARTY WITHOUT WRITTEN PERMISSION.  
OWNERSHIP AND COPYRIGHT OF CONEC GmbH  
DO NOT ALTER CAD DRAWING BY HAND

tolerance		dim. in mm	
2005	date	name	
drawn	07.02.	Lehmenkühler	
appd.	07.02.	Kühle	
norm			
1 x c	Ä 3466	20.10.2009	Lehmen.
1 x b	Ä 2180	09.03.2005	Lehmen.
a	Origin		
rev.	description	date	name

**CONEC**<sup>®</sup>

scale:	1:1	
material:	SEE NOTES	
title:	METAL HOOD 9-50pos. EMI / RFI SHIELDING with straight cable exit and short screws	
dwg no:	AutoCAD 2004	DIN-A
	16K1A1321	4
part no:	SEE TABLE	
		sh: 1/1

4

3

2

1