



Chipsmall Limited consists of a professional team with an average of over 10 year of expertise in the distribution of electronic components. Based in Hongkong, we have already established firm and mutual-benefit business relationships with customers from,Europe,America and south Asia,supplying obsolete and hard-to-find components to meet their specific needs.

With the principle of “Quality Parts,Customers Priority,Honest Operation,and Considerate Service”,our business mainly focus on the distribution of electronic components. Line cards we deal with include Microchip,ALPS,ROHM,Xilinx,Pulse,ON,Everlight and Freescale. Main products comprise IC,Modules,Potentiometer,IC Socket,Relay,Connector.Our parts cover such applications as commercial,industrial, and automotives areas.

We are looking forward to setting up business relationship with you and hope to provide you with the best service and solution. Let us make a better world for our industry!



Contact us

Tel: +86-755-8981 8866 Fax: +86-755-8427 6832

Email & Skype: info@chipsmall.com Web: www.chipsmall.com

Address: A1208, Overseas Decoration Building, #122 Zhenhua RD., Futian, Shenzhen, China



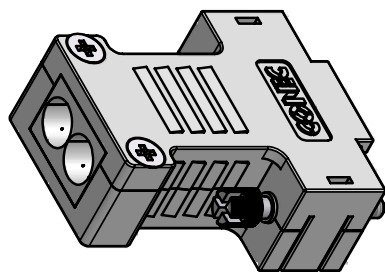
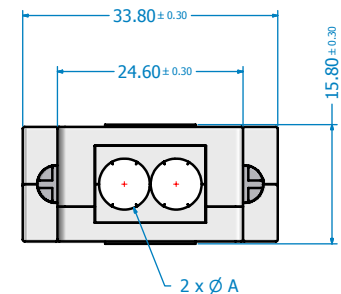
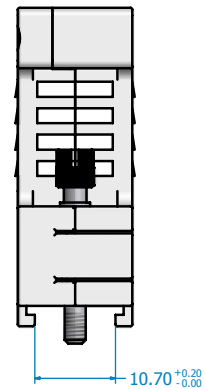
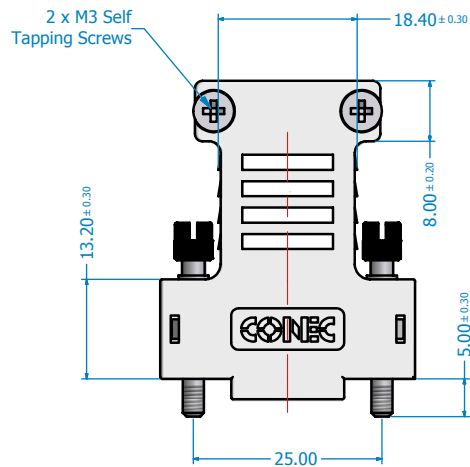
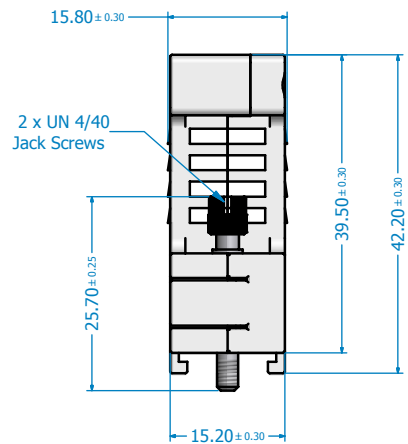
6 5 4 3 2 1

D

C

B

A



ISO VIEW

Directive 2002/95/EC
"RoHS"
Compliant

Strain Relief Hole Diameter A	For AWG Cable Size	Hood P/N
6.75 +0.10/-0	AWG8 Cable OD=6.58+/-0.13	165X17889X
4.52 +0.10/-0	AWG10 Cable OD=4.42+/-0.10 AWG12 Cable OD=3.88+/-0.10	165X17949X
3.55 +0.10/-0	AWG14 Cable OD=3.45+/-0.10 AWG16 Cable OD=2.95+/-0.10	165X17959X
3.02 +0.10/-0	AWG18 Cable OD=2.92+/-0.10 AWG20 Cable OD=2.44+/-0.10	165X17969X

NOTES:
Plastic Material: PA 6.6 GF 25, UL 94 V-0
Color: Dolphin Grey

Screw Material: Steel
Screw Finish: Nickel plated

THIS DRAWING MAY NOT BE COPIED, OR REPRODUCED IN ANY WAY AND MAY NOT BE PASSED ON TO A THIRD PARTY WITHOUT WRITTEN PERMISSION. OWNERSHIP AND COPYRIGHT OF CONEC CORPORATION DOT NOT ALTER CAD DRAWING BY HAND	Customer:			Tolerance Unless otherwise specified	Scale: 1.5:1 Dim. in mm	
	Name Title Approval Date			Dimensional: +/- 0.25mm Angular: +/- 1 degree		
				2005	Date	Name
				Draw.	Aug. 17	Vincent Ke
				Appd.	Aug. 17	J. Chaudry
				Norm		
				D-old		
Material: SEE NOTES Title: 2W2 Hood (Straight) for Power Contacts with AWG8 to AWG20 Cable					DIN A3 Sheet 1/1	
Drawing No.: C0412E15A Part No.: SEE TABLE						

6 5 4 3 2 1

