



Chipsmall Limited consists of a professional team with an average of over 10 year of expertise in the distribution of electronic components. Based in Hongkong, we have already established firm and mutual-benefit business relationships with customers from,Europe,America and south Asia,supplying obsolete and hard-to-find components to meet their specific needs.

With the principle of “Quality Parts,Customers Priority,Honest Operation,and Considerate Service”,our business mainly focus on the distribution of electronic components. Line cards we deal with include Microchip,ALPS,ROHM,Xilinx,Pulse,ON,Everlight and Freescale. Main products comprise IC,Modules,Potentiometer,IC Socket,Relay,Connector.Our parts cover such applications as commercial,industrial, and automotives areas.

We are looking forward to setting up business relationship with you and hope to provide you with the best service and solution. Let us make a better world for our industry!



## Contact us

Tel: +86-755-8981 8866 Fax: +86-755-8427 6832

Email & Skype: info@chipsmall.com Web: www.chipsmall.com

Address: A1208, Overseas Decoration Building, #122 Zhenhua RD., Futian, Shenzhen, China



# HellermannTyton

## 90 Degree Nylon Elbow Fittings, w/ Brass Internal Metric Thread, IP66, HG-90F

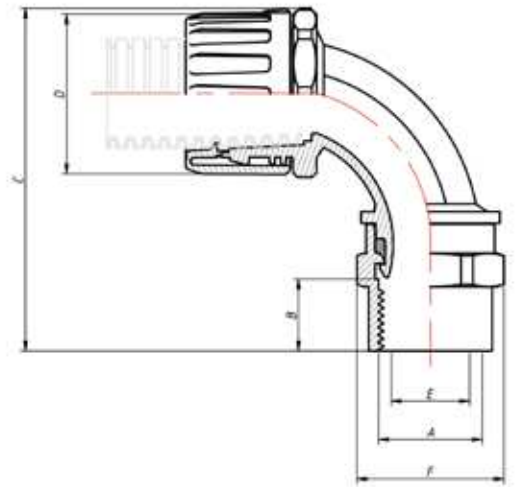
Elbow fitting features a snap-on design and a nickel-plated brass metric thread that provides a quick, secure connection. Constructed of a very durable nylon material with a high resistance to salts, oils, weak acids and solvents. Designed for easy removal with a small screwdriver. Choose from IP66 or IP68 ingress protection rated fittings.



| Conduit Size |    | Euro Size | HellermannTyton Part Number | Manufacturer Reference Number | Metric Thread | Dimensions |    |      |     |      |    |      |      |         |    |
|--------------|----|-----------|-----------------------------|-------------------------------|---------------|------------|----|------|-----|------|----|------|------|---------|----|
| in.          | mm | (NW)      |                             |                               | A             | B          |    | C    |     | D    |    | E    |      | F (A/F) |    |
|              |    |           |                             |                               |               | in.        | mm | in.  | mm  | in.  | mm | in.  | mm   | in.     | mm |
| 3/8          | 16 | 12        | HG038-90F-M16               | FPA16-BFM16-90                | M16 X 1.5     | 0.55       | 14 | 2.48 | 63  | 1.14 | 29 | 0.41 | 10.5 | 0.79    | 20 |
| 1/2          | 21 | 17        | HG050-90F-M20               | FPA21-BFM20-90                | M20 X 1.5     | 0.55       | 14 | 2.68 | 68  | 1.26 | 32 | 0.55 | 14.0 | 0.94    | 24 |
| 3/4          | 28 | 23        | HG075-90F-M25               | FPA28-BFM25-90                | M25 X 1.5     | 0.59       | 15 | 3.19 | 81  | 1.73 | 44 | 0.75 | 19.0 | 1.14    | 29 |
| 1.00         | 34 | 29        | HG100-90F-M32               | FPA34-BFM32-90                | M32 X 1.5     | 0.63       | 16 | 3.58 | 91  | 2.01 | 51 | 0.96 | 24.5 | 1.5     | 38 |
| 1.25         | 42 | 36        | HG125-90F-M40               | FPA42-BFM50-90                | M50 X 1.5     | 0.55       | 14 | 4.53 | 115 | 2.48 | 63 | 1.54 | 39.0 | 2.05    | 52 |
| 1.50         | 54 | 48        | HG150-90F-M50               | FPA54-BFM50-90                | M50 X 1.5     | 0.55       | 14 | 4.61 | 117 | 2.99 | 76 | 1.54 | 39.0 | 2.05    | 52 |

### Technical Properties and Performance

| Property                                   | Rating   |
|--|--|
| Material:                                  | Body: Nylon PA66 & Nickel Plated Brass                     |
| Application:                               | Suitable for connecting with male Metric threaded fittings |
| IP (Ingress Protection)                    | IP66   |
| Temperature Range                          | -50°C to +135°C  |
| Color                                      | Black  |
| Thread Pattern                             | Metric   |
| Supplied with neoprene face seal washer    | No   |
| Suitable for fine or coarse pitch conduits | Yes  |
| UL Recognized (File E229161)               | No   |
| UL Listed (File No. E247502)               | No   |
| UV Resistant                               | Yes  |
| Halogen, Sulphur and Phosphorous free      | Yes  |
| Anti vibration and Tamper Resistant        | Yes  |
| Flammability: UL 94                        | V2   |
| Country of Origin                          | United Kingdom   |



**Warranty Policy** HellermannTyton products are warranted to be free from defects in material and workmanship at the time sold by us; but our obligation under this warranty and that of the seller is limited to the replacement of the product, and neither we nor the seller are bound by any other warranty, expressed, implied or statutory. Under no circumstances are we or the seller liable for any loss, damage, expenses or consequential damages of any kind arising out of the use or inability to use these products. All are sold with the understanding that the user will test them in actual use and determine their adaptability for the intended uses. Every effort is made to ensure accuracy and completeness when describing the technical properties of these products.