



Chipsmall Limited consists of a professional team with an average of over 10 year of expertise in the distribution of electronic components. Based in Hongkong, we have already established firm and mutual-benefit business relationships with customers from,Europe,America and south Asia,supplying obsolete and hard-to-find components to meet their specific needs.

With the principle of “Quality Parts,Customers Priority,Honest Operation,and Considerate Service”,our business mainly focus on the distribution of electronic components. Line cards we deal with include Microchip,ALPS,ROHM,Xilinx,Pulse,ON,Everlight and Freescale. Main products comprise IC,Modules,Potentiometer,IC Socket,Relay,Connector.Our parts cover such applications as commercial,industrial, and automotives areas.

We are looking forward to setting up business relationship with you and hope to provide you with the best service and solution. Let us make a better world for our industry!



## Contact us

Tel: +86-755-8981 8866 Fax: +86-755-8427 6832

Email & Skype: info@chipsmall.com Web: www.chipsmall.com

Address: A1208, Overseas Decoration Building, #122 Zhenhua RD., Futian, Shenzhen, China





## 90 Degree Nylon Swivel Flange Fittings, IP66, HG-90FL

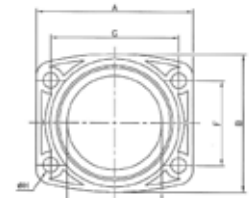
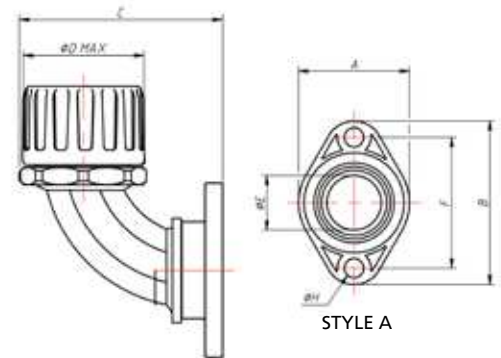
Elbow fitting features a snap-on design that provides a quick, secure connection. Constructed of a very durable nylon material with a high resistance to salts, oils, weak acids and solvents. Designed for easy removal with a small screwdriver. Choose from IP66 or IP68 ingress protection rated fittings.



Metric Thread Size			Euro Size		HellermannTyton Part Number	Manufacturer Reference Number	Style	Dimensions															
in.		mm	(NW)					A		B		C		D		E		F		G		H	
								in.	mm	in.	mm	in.	mm	in.	mm	in.	mm	in.	mm	in.	mm	in.	mm
3/8	16	12	HG038-90FL	FPA16-FL-90	A	1.18	30	1.77	45	2.01	51	1.14	29	0.55	14.0	1.42	36	NA	NA	0.21	5.2		
1/2	21	17	HG050-90FL	FPA21-FL-90	A	1.18	30	1.77	45	2.09	53	1.34	34	0.55	14.0	1.42	36	NA	NA	0.21	5.2		
3/4	28	23	HG075-90FL	FPA28-FL-90	A	1.50	38	2.52	64	2.60	66	1.73	44	0.75	19.0	2.09	53	NA	NA	0.24	6.2		
1.00	34	29	HG100-90FL	FPA34-FL-90	B	2.60	66	2.32	59	3.11	79	2.01	51	0.96	24.5	1.42	36	2.13	54	0.24	6.2		
1.25	42	36	HG125-90FL	FPA42-FL-90	B	2.60	66	2.32	59	3.94	100	2.48	63	1.54	39.0	1.42	36	2.13	54	0.24	6.2		

### Technical Properties and Performance

Property	Rating
Material: Nylon PA66	Polyamide Nylon 66 (PA66)
Application:	Suitable for surface mounting
IP (Ingress Protection) rating	IP66
Temperature Range	-50°C to +135°C
Color	Black
Thread Pattern	NA
Supplied with neoprene face seal washer (O Ring)	Yes
Suitable for fine or coarse pitch conduits	Yes
UL Recognized (File E229161)	Yes
UL Listed (File No. E247502)	No
UV Resistant	Yes
Halogen, Sulphur and Phosphorous free	Yes
Anti vibration and Tamper Resistant	Yes
Flammability: UL 94	V2
Country of Origin	United Kingdom



STYLE B



**Warranty Policy** HellermannTyton products are warranted to be free from defects in material and workmanship at the time sold by us; but our obligation under this warranty and that of the seller is limited to the replacement of the product, and neither we nor the seller are bound by any other warranty, expressed, implied or statutory. Under no circumstances are we or the seller liable for any loss, damage, expenses or consequential damages of any kind arising out of the use or inability to use these products. All are sold with the understanding that the user will test them in actual use and determine their adaptability for the intended uses. Every effort is made to ensure accuracy and completeness when describing the technical properties of these products.