



Chipsmall Limited consists of a professional team with an average of over 10 year of expertise in the distribution of electronic components. Based in Hongkong, we have already established firm and mutual-benefit business relationships with customers from,Europe,America and south Asia,supplying obsolete and hard-to-find components to meet their specific needs.

With the principle of "Quality Parts,Customers Priority,Honest Operation,and Considerate Service",our business mainly focus on the distribution of electronic components. Line cards we deal with include Microchip,ALPS,ROHM,Xilinx,Pulse,ON,Everlight and Freescale. Main products comprise IC,Modules,Potentiometer,IC Socket,Relay,Connector.Our parts cover such applications as commercial,industrial, and automotives areas.

We are looking forward to setting up business relationship with you and hope to provide you with the best service and solution. Let us make a better world for our industry!



Contact us

Tel: +86-755-8981 8866 Fax: +86-755-8427 6832

Email & Skype: info@chipsmall.com Web: www.chipsmall.com

Address: A1208, Overseas Decoration Building, #122 Zhenhua RD., Futian, Shenzhen, China





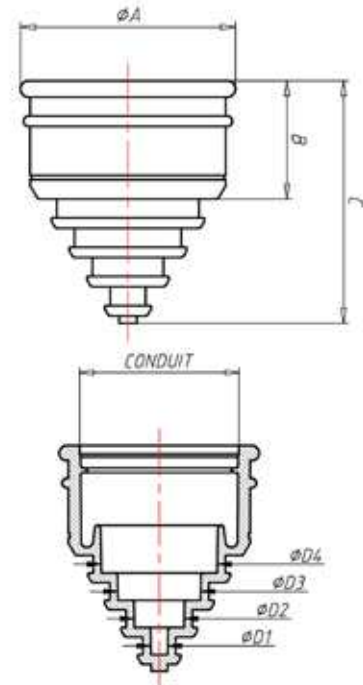
REC Rubber End Caps Corrugated Conduit

Rubber cap easily slides over un-terminated conduit ends to protect inside wire and cable bundles from debris. For use HelaGuard corrugated conduits.



Conduit Size		Euro Size	HT Part Number	Mnf Ref Number	Dimensions																		
					A		B		C		D1		D2		D3		D4		D5		D6		
in.	mm	(NW)			in.	mm	in.	mm	in.	mm	in.	mm	in.	mm	in.	mm	in.	mm	in.	mm	in.	mm	
3/8	16	12	REC0380	REC16	0.89	22.7	0.69	17.5	1.32	33.6	0.12	3	0.27	7	0.43	11	NA	NA	NA	NA	NA	NA	NA
1/2	21	17	REC0500	REC21	1.12	28.4	0.74	18.8	1.51	38.3	0.12	3	0.27	7.0	0.43	11	0.59	15	NA	NA	NA	NA	NA
3/4	28	23	REC0750	REC28	1.43	36.2	0.78	19.8	1.6	40.8	0.12	3	0.35	9.0	0.59	15	0.83	21	NA	NA	NA	NA	NA
1.00	34	29	REC1000	REC34	1.67	42.5	0.83	21	1.67	42.3	0.12	3	0.39	10.0	0.67	17	0.98	25	NA	NA	NA	NA	NA
1.25	42	36	REC1250	REC42	2.02	51.3	0.83	21	1.85	47	0.2	5	0.47	12.0	0.75	19	1.02	26	1.34	34	NA	NA	NA
1.50	54	48	REC1500	REC54	2.48	63.1	0.83	21	2.04	51.9	0.2	5	0.47	12.0	0.75	19	1.06	27	1.38	35	1.81	46	46

Technical Properties and Performance	
Property	Rating
Material:	Thermoplastic elastomer
Application:	Pushes onto end of conduit to seal onto circular cable
IP (Ingress Protection) rating	IP66 dependent upon cable
Temperature Range	-50°C to +120°C
Color	Black
Thread Pattern	NA
Supplied with neoprene face seal washer	No
Suitable for fine or coarse pitch conduits	Yes
UL Recognized (File E229161)	No
UL Listed (File No. E247502)	No
UV Resistant	Yes
Halogen, Sulphur and Phosphorous free	Yes
Anti vibration and Tamper Resistant	No
Flammability: UL 94	NA
Country of Origin	United Kingdom



Warranty Policy HellermannTyton products are warranted to be free from defects in material and workmanship at the time sold by us; but our obligation under this warranty and that of the seller is limited to the replacement of the product, and neither we nor the seller are bound by any other warranty, expressed, implied or statutory. Under no circumstances are we or the seller liable for any loss, damage, expenses or consequential damages of any kind arising out of the use or inability to use these products. All are sold with the understanding that the user will test them in actual use and determine their adaptability for the intended uses. Every effort is made to ensure accuracy and completeness when describing the technical properties of these products.