



Chipsmall Limited consists of a professional team with an average of over 10 year of expertise in the distribution of electronic components. Based in Hongkong, we have already established firm and mutual-benefit business relationships with customers from,Europe,America and south Asia,supplying obsolete and hard-to-find components to meet their specific needs.

With the principle of “Quality Parts,Customers Priority,Honest Operation,and Considerate Service”,our business mainly focus on the distribution of electronic components. Line cards we deal with include Microchip,ALPS,ROHM,Xilinx,Pulse,ON,Everlight and Freescale. Main products comprise IC,Modules,Potentiometer,IC Socket,Relay,Connector.Our parts cover such applications as commercial,industrial, and automotives areas.

We are looking forward to setting up business relationship with you and hope to provide you with the best service and solution. Let us make a better world for our industry!



## Contact us

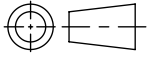
Tel: +86-755-8981 8866 Fax: +86-755-8427 6832

Email & Skype: info@chipsmall.com Web: www.chipsmall.com

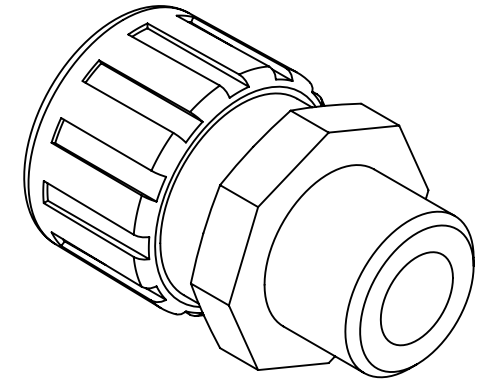
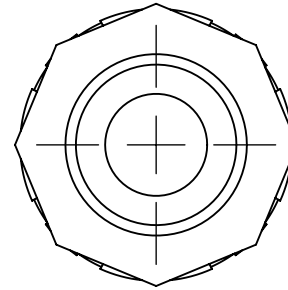
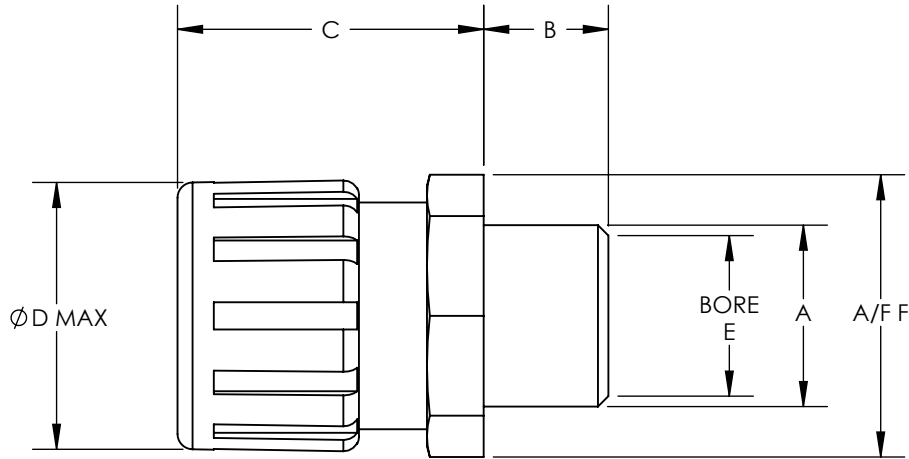
Address: A1208, Overseas Decoration Building, #122 Zhenhua RD., Futian, Shenzhen, China



SW2014



Revision level			Revision Record	Changed	Date	Approved	Date
Drawing	State	Part					
00.0	Design Release		SEE ECN# 013596	GRW	10/24/2016	KAC	10/24/2016



Conduit Size		Euro Size	HellermannTyton Part Number	Manufacturer Reference Number	NPT Thread	Dimension (mm)											
in.	mm	(NW)				A		B		C		D		E		F (A/F)	
						in.	mm	in.	mm	in.	mm	in.	mm	in.	mm	in.	mm
3/8	16	NA	PSR038-S-0380	MPC-16-038	3/8 NPT	0.43	11	1.14	29	1.10	28	0.41	10.5	0.98	25		
3/8	16	NA	PSR038-S-0500	MPC-16-050	1/2 NPT	0.55	14	1.06	27	1.10	28	0.41	10.5	0.98	25		
1/2	20	NA	PSR050-S-0500	MPC-20-050	1/2 NPT	0.55	14	1.14	29	1.30	33	0.57	14.5	1.18	30		
3/4	25	NA	PSR075-S-0750	MPC-25-075	3/4 NPT	0.59	15	1.18	30	1.65	42	0.75	19.0	1.46	37		
1.00	32	NA	PSR100-S-1000	MPC-32-100	1 NPT	0.63	16	1.26	32	1.89	48	0.97	24.5	1.77	45		
1.25	40	NA	PSR125-S-1250	MPC-40-125	1-1/4 NPT	0.63	16	1.69	43	2.36	60	1.30	33.0	2.36	60		
1.50	50	NA	PSR150-S-1500	MPC-50-150	1-1/2 NPT	0.63	16	1.54	39	2.52	64	1.54	39.0	2.36	60		
2.00	63	NA	PSR200-S-2000	MPC-63-200	2 NPT	0.63	16	1.57	40	2.99	76	1.89	48.0	2.87	73		

Material  
PA66

Units: inches

Dimension without tolerances details to:  
 .xxxx = ±.0005  
 .xxx = ±.005  
 .xx = ±.01  
 .x = ±.03  
 None = ±.06  
 ∠ = ±0.5°

Dimension Formatted in/[mm]

The copyright of this drawing is reserved by HellermannTyton. It is issued on condition that it is not reproduced, copied, or disclosed to a third party, either wholly or in part, without the consent of HellermannTyton.

Drawn GRW 10/24/2016  
 Approved KAC 10/24/2016

**HellermannTyton**  
 North America  
 Email: corp@htamericas.com  
 Web: www.hellermann.tyton.com

Article/Type-No PSR-S SERIES  
 Title **HELAGUARD 2-PIECE STRAIGHT NYLON COMPRESSION FITTING, NPT THREAD IP65**  
 Drawing-No PRODUCTION : Phase  
**15-0827-001-CSU**

Scale .  
 Project Number PRP 15-0827  
 Format AH  
 Sheet 1/1